

# Parts Manual Manuel de pièces



---

## Hurricane Rally 21

---

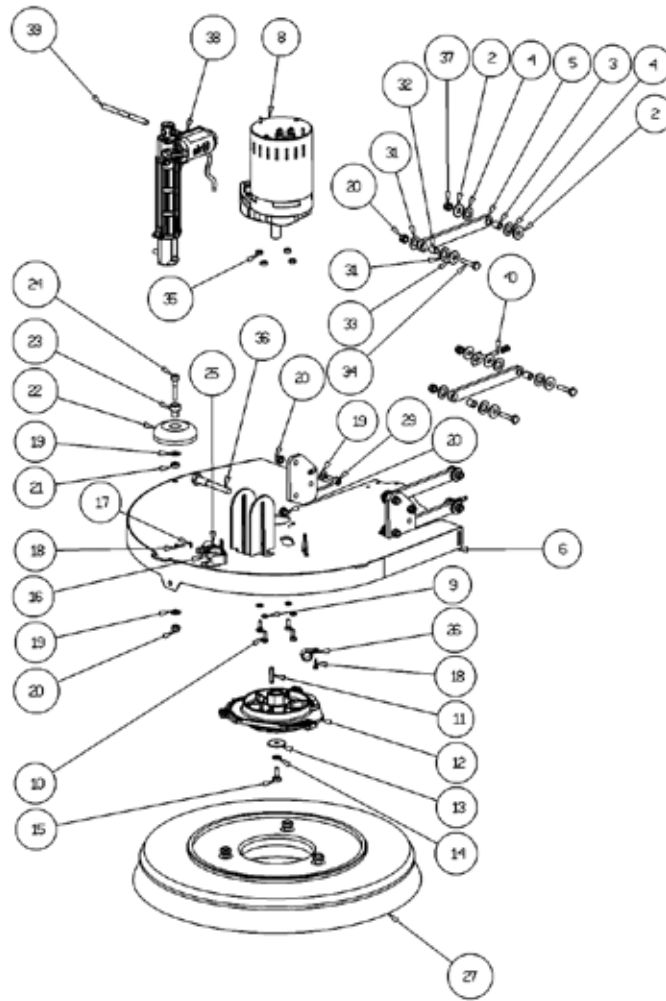
Auto-Scrubbers / Auto-récureuse  
Code : 19366

Serial Number:  
Numéro de série : \_\_\_\_\_

Date of Purchase:  
Date d'achat : \_\_\_\_\_

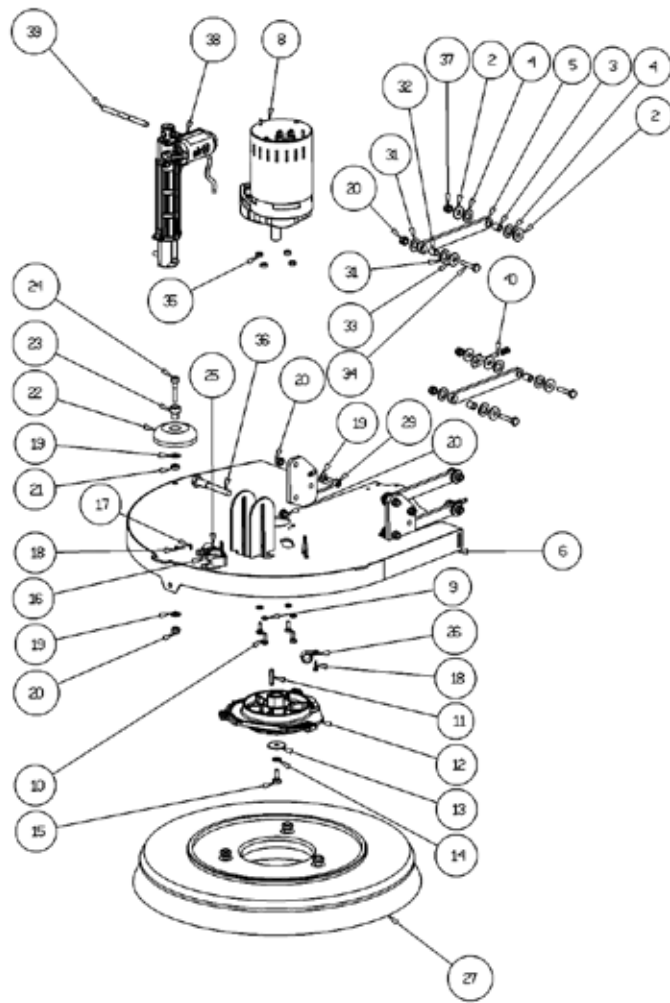
More info/Plus d'info : [www.dustbane.ca](http://www.dustbane.ca)  
2015-09

## Head



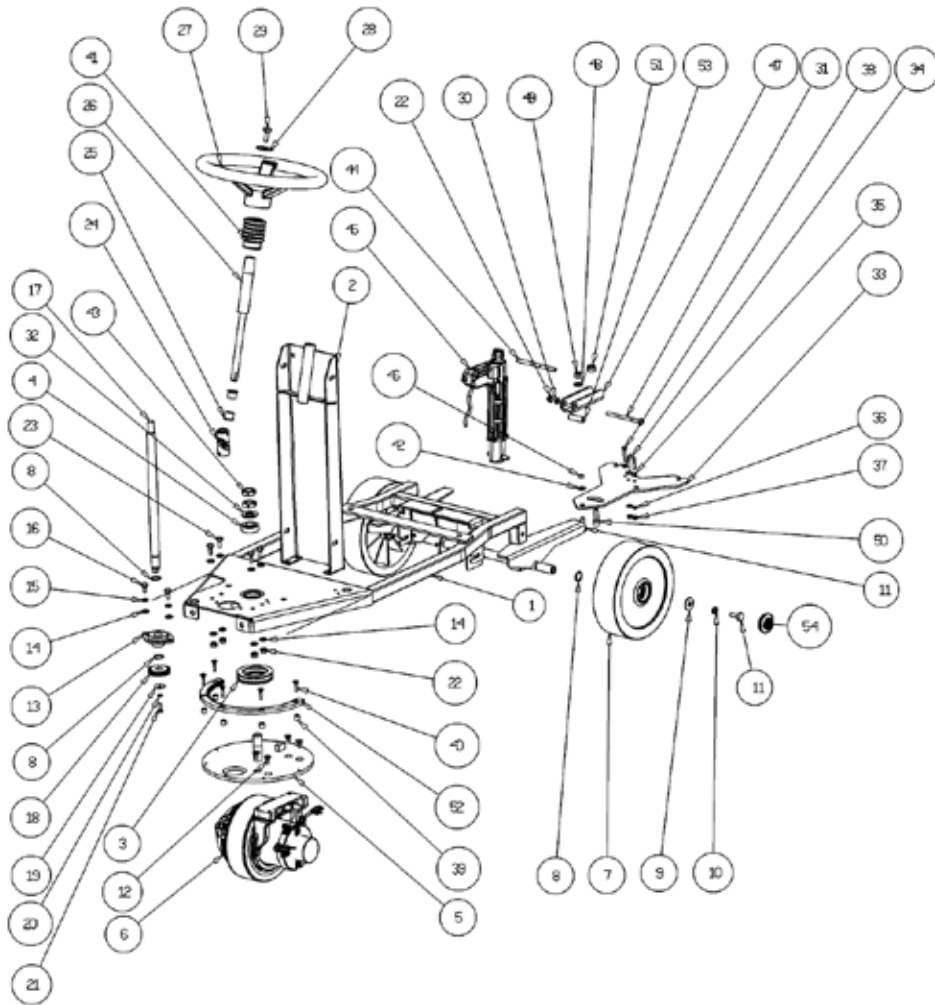
Ref.	Part N.	Description	Quantity	Validity From	Validity To
2	3VTRS13946	WASHER D. 8 X24 INX UNI 6593	4		
3	3LAFN04151	BUSHING X PARALLELOGRAM	2		
4	3VTRS43258	WASHER D.13X24 X2.5 NYL UNI6592	2		
5	3LAFN09298	ARM	4		
6	3LAFN09306	PLATE	1		
8	3MOCC00431	MOTOR	1		
9	3VTRS15144	WASHER D. 6 INX GRW UNI 1751	4		
10	3VTVT13939	SCREW TE 6X20 UNI5739 INX	4		
11	3VTVR16617	KEY 6X 6X30 UNI 6604	1		
12	3MFVR00212	DRIVE DISK	1		
13	3VTRS16323	WASHER D. 8 X32 UNI 6593 INX	1		
14	3VTRS15146	WASHER D. 8 INX GRW UNI 1751	1		
15	3VTVT13938	SCREW TE 8X20 UNI5739 INX	1		
16	3MEEV00036	SOLENOID VALVE HOLE 8mm	1		
17	3VTRS00515	WASHER D. 4 INX	2		
18	3VTVT01158	SCREW M4x16	3		
19	3VTRS13947	WASHER D. 8 INX UNI 6592	6		
20	3VTDD01695	NUT M 8 INX	5		

# Head



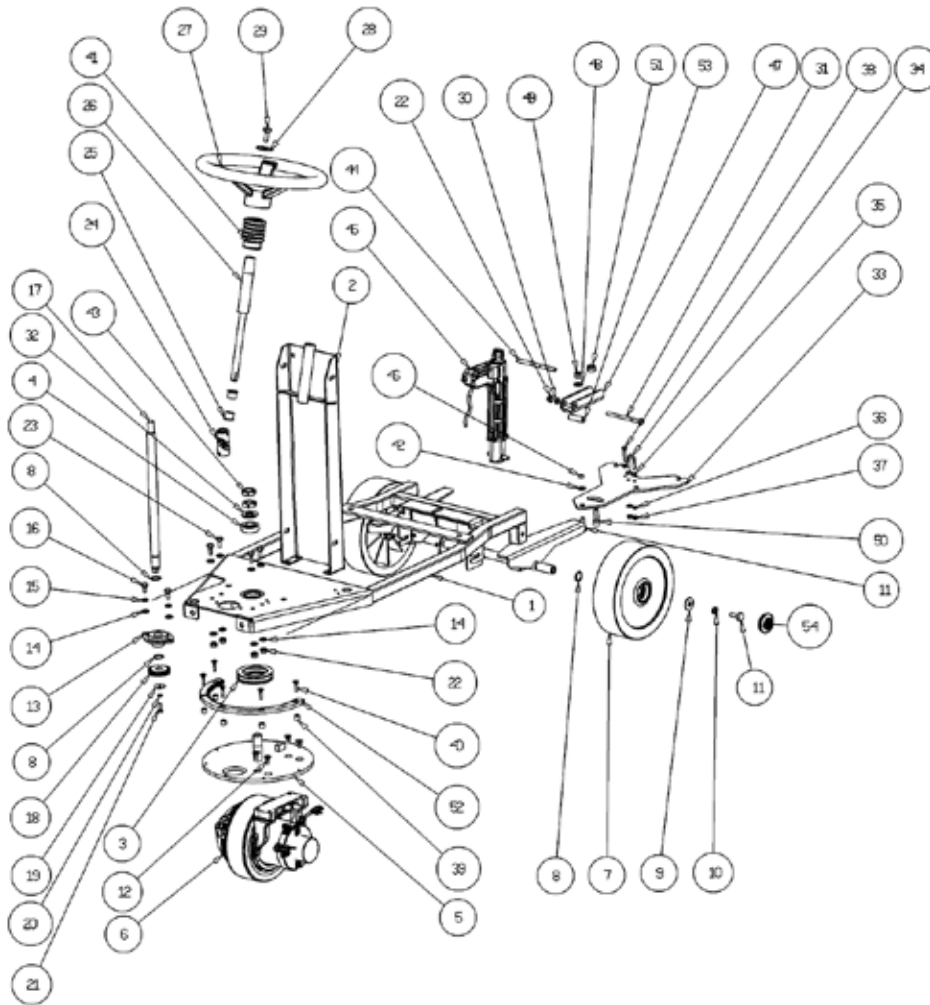
Ref.	Part N.	Description	Quantity	Validity From	Validity To
21	3VTDD15521	NUT M 8 INX A2 UNI 5588	1		
22	3MPVR06105	SMALL WHEEL	1		
23	3LAFN03915	BUSHING NEW STRONG WHEEL	1		
24	3VTVT06241	SCREW 8X40	1		
25	3TBFX48011	TUBE FLEX D.12X3 ARMORV.PVC TR	0.5		
26	3FSVR00099	CLAMP PIPE CLIPS	1		
27	3SPPV01352	BRUSH D 530	1		
29	3VTVT13944	SCREW TCEI M 8X20 UNI 5931 INX	2		
31	3VTRS43258	WASHER D.13X24 X2.5 NYL UNI6592	8		
32	3LAFN04151	BUSHING X PARALLELOGRAM	4		
33	3VTRS13946	WASHER D. 8 X24 INX UNI 6593	4		
34	3VTVT00410	SCREW TE M8x35 UNI5739 INOX	4		
35	3RCDS35584	BUSHING D. 8X12X 4.3	4		
36	3VTVT01209	SCREW TE M8X80	1		
37	3VTDD01695	NUT M 8 INX	4		
38	3MOCC00424	ATUATOR	1		
39	3LAFN09320	PIN	1		
40	3LAFN47168	BELT-STRETCHER L.14	2		

## Frame



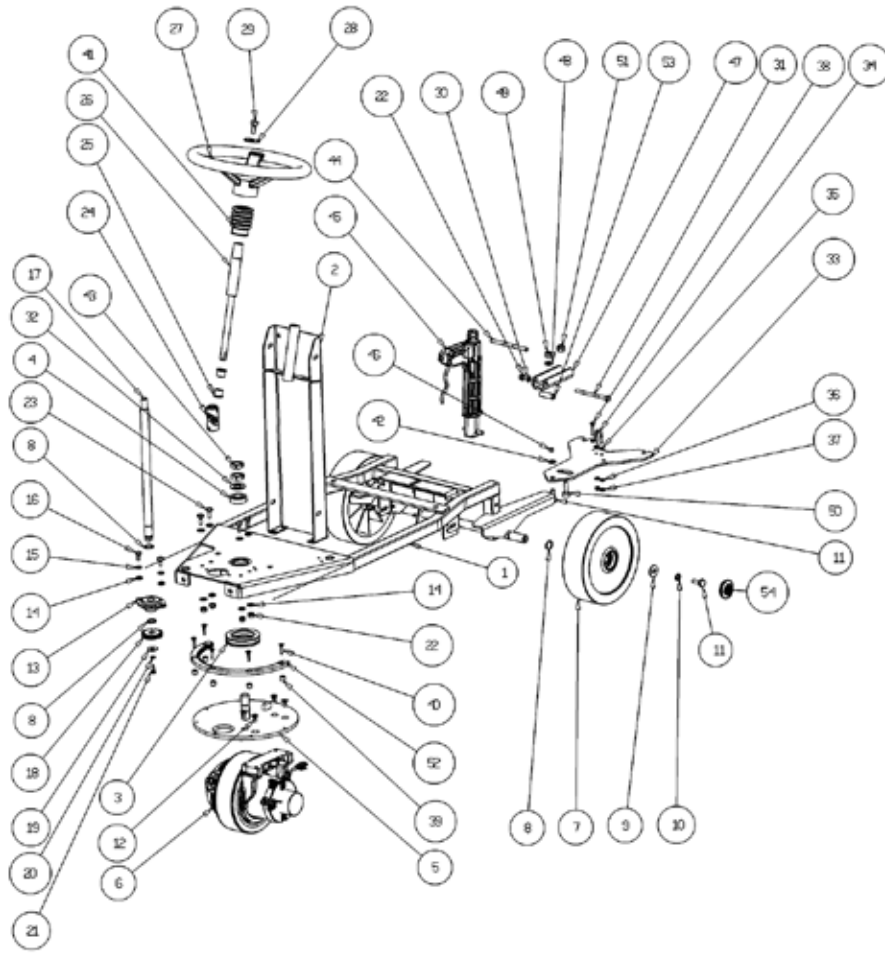
1Ref.	Part N.	Description	Quantity	Validity From	Validity To
1	3LAFN09292	FRAME	1		
2	3LAFN09373	UP STEERING	1		
3	3CUVR75816	BEARING 51112	1		
4	3CUVR00094	BEARING 32004 TIPO SKF	1		
5	3LAFN09293	PLATE	1		
6	3MOCC00433	MOTOR ELECTRICAL 24V 300W	1		
7	3RTRT00547	WHEEL D.250x60	2		
8	3VTAE06193	CIRCLIP D. 20 UNI 7435	2		
9	3VTRS15524	WASHER D.10	2		
10	3VTRS15909	WASHER D.10	2		
11	3VTVT03640	SCREW TE 10X25 UNI5740	2		
12	3VTVT00790	SCREW TSPEI M8X16	4		
13	3CUVR00105	SUPPORT	1		
14	3VTRS13947	WASHER D. 8 INX UNI 6592	2		
15	3VTRS15146	WASHER D. 8 INX GRW UNI 1751	2		
16	3VTVT15916	SCREW TE M 8X 16 UNI 5739 A2	2		
17	3LAFN09294	SHAFT -	1		

## Frame



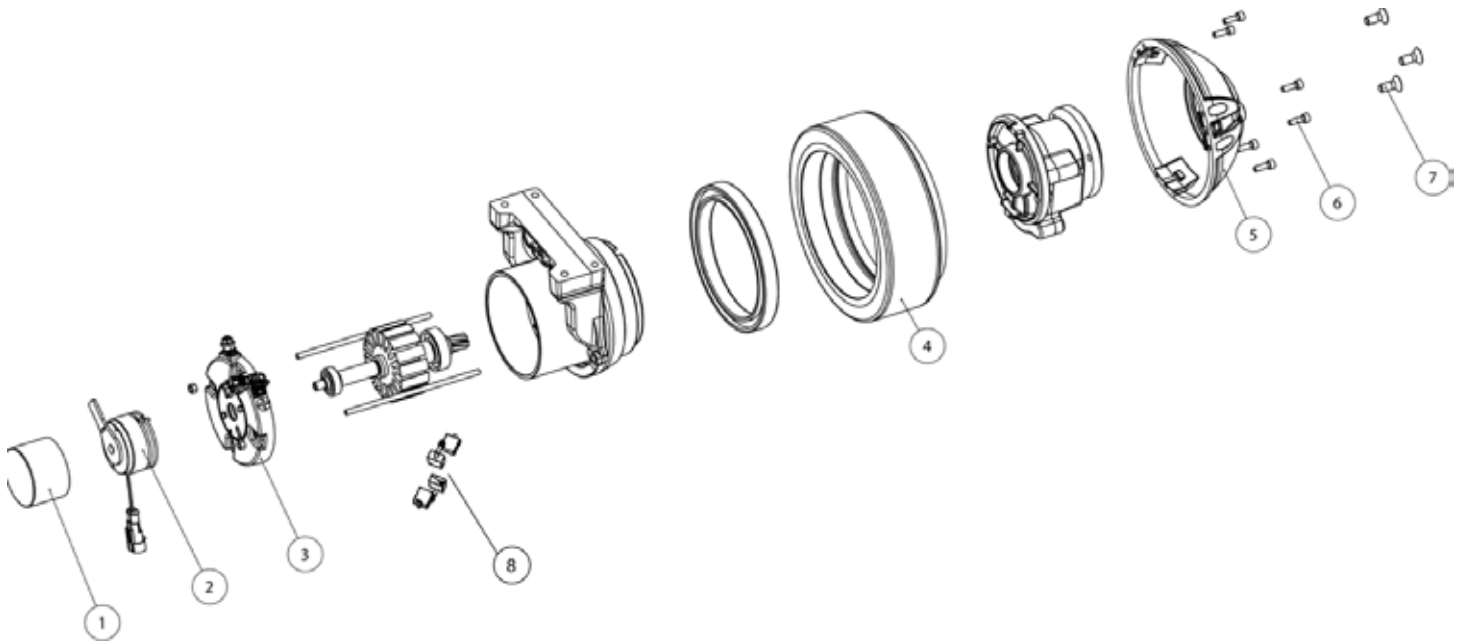
Ref.	Part N.	Description	Quantity	Validity From	Validity To
18	3LAFN06377	PINION STEERING	1		
19	3VTRS16937	WASHER 6x24 INOX UNI 6593	1		
20	3VTRS15144	WASHER D. 6 INX GRW UNI 1751	1		
21	3VTVT15143	SCREW TE 6X16 UNI5739	1		
22	3VTDD01695	NUT M 8 INX	4		
23	3VTVT13938	SCREW TE 8X20 UNI5739 INX	4		
24	3VTVR00057	UNIVERSAL ARTICULATION	1		
25	3LAFN75841	BUSHING TK 1000	2		
26	3ALTR00097	TRACTION SHAFT LOLY 50	1		
27	3MPVR47027	STEERING WHEEL D. 320 L.14	1		
28	3VTRS44254	WASHER D.10 X40X2.5 UNI6593	1		
29	3VTVT00455	SCREW TE 10X20 UNI5739	1		
30	3VTRS00274	WASHER NYLON 66 D.8,4-17-2 UNI	2		
31	3VTVT01677	SCREW TE M 8X100	1		
32	3VTRS00019	WASHER UNI 6592 HOLE 20 INOX	1		
33	3LAFN08156	SHEET METAL PA.-	1	06/2015	
34	3LAFN09231	BRACKET M6X11X29	1		

## Frame



Ref.	Part N.	Description	Quantity	Validity From	Validity To
35	3VTDD15520	NUT M 6 A2 UNI 5588 INX	2		
36	3VTRS00245	WASHER D.6 UNI 6592 INOX	2		
37	3VTDD01694	NUT M6 INOX	2		
38	3VTVT13939	SCREW TE 6X20 UNI5739 INX	1		
39	3LAFN06844	SPACER RING	5		
40	3VTVT25909	SCREW M 6X 25 TSPEI UNI 5933	5		
41	3MPVR51068	PROTECTOR STEERING CLT 160	0.5		
42	3MLML34767	SPRING D.10.2 X20	1		
43	3VTDD00524	NUT M20x1,5 UNI 5589	2		
44	3LAFN09320	PIN	1		
45	3MOCC00424	ACTUATOR	1		
46	3LAFN09407	SPACER	1		
47	3LAFN08233	SUPPORT	1		
48	3VTRS13947	WASHER D. 8 INX UNI 6592	1		
49	3VTDD01695	NUT M 8 INX	1		
50	3VTVT00307	SCREW TCEI M10X30	1		
51	3VTDD15519	NUT M10 INOX	1		
52	3LAFN09409	BRAKE	1		
53	3MPVR06421	SPACER	1		
54	3MPVR05951	CAPS FOR WHEEL	1		

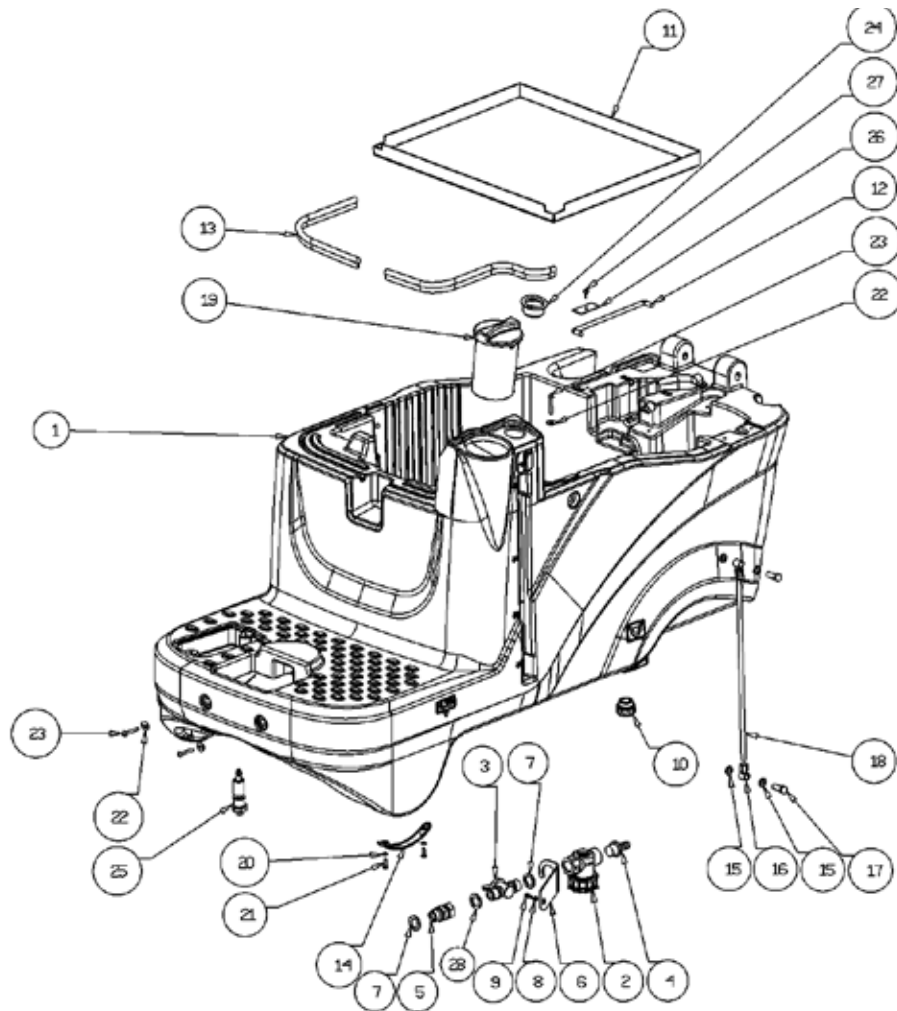
## Drive Assembly



Ref.	Part N.	Description	Quantity	Validity From	Validity To
1	3MPVR06463	COVER	1		
2	3MEVR01757	BRAKE	1		
3	3KTRIO2294	KIT CARBONS SUPPORT	1		
4	3RTRT00552	WHEEL	1		
5	3MPVR06464	COVER	1		
8	3MEVR34441	BRUSH MOTOR CC7X14X19 200/400W	4		



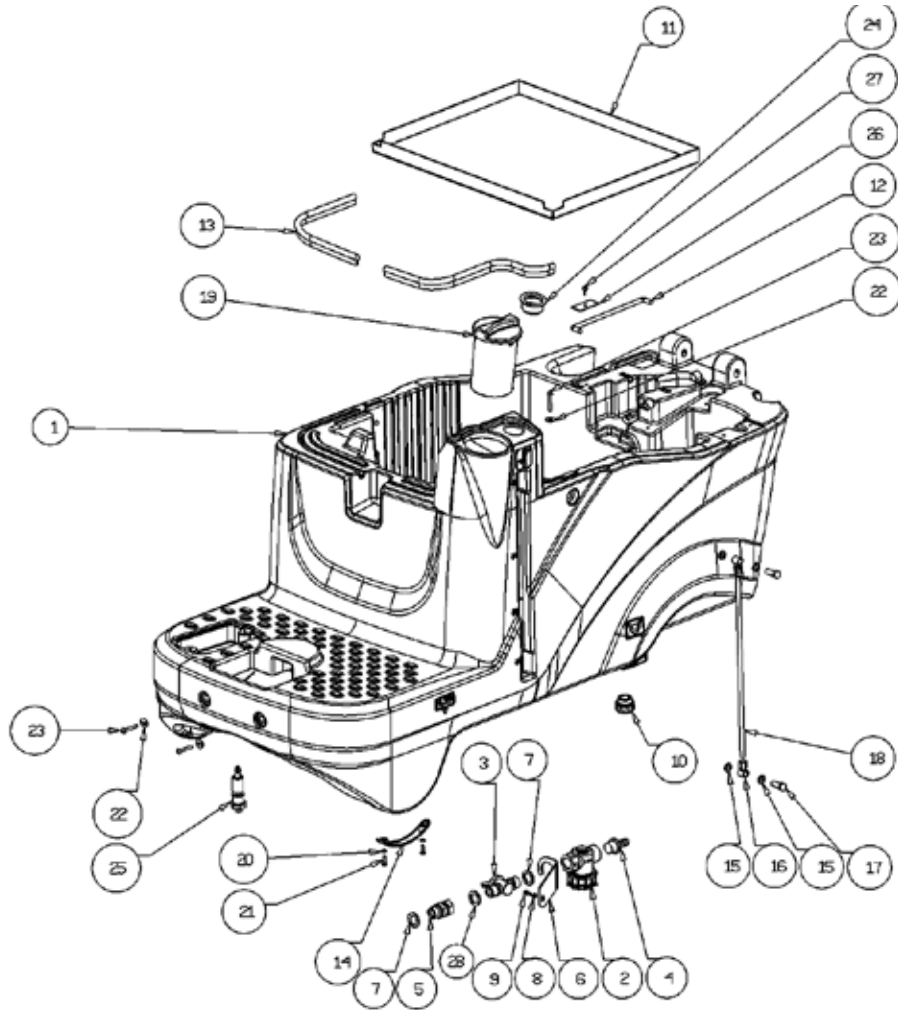
## Water Tank



Ref.	Part N.	Description	Quantity	Validity From	Validity To
1	3MPVR07174	TANK	1		
2	3FTAC00045	FILTER	1		
3	3RCGR00078	TAP	1		
4	3RCVR00514	CONNECTOR 1/2 M RESCA 15	1		
5	3RCVR00594	CONNECTOR 1/2" M/F	1		
6	3LAFN09393	BRACKET	1		
7	3VTRS00567	WASHER 1/2	2		
8	3VTRS13750	WASHER D. 5X14 INX	1		
9	3VTVT01300	SCREW TE M5X12 INOX	1		
10	3MPVR07073	CAP SOLUTION TANK	1		
11	3MPVR07131	CONTAINER BATTERY	1		
12	3LAFN09401	PIN	1		
13	3GUVR00288	GASKET N052 S1007	0.8		
14	3MPVR06102	PROTECTION SOLUTION TANK	2		
15	3GUGO00461	GASKET NBR	4	02/2015	
16	3RCVR40127	CONNECTOR 1/8" D. 6/ 8 NIK	2		
17	3RCVR40079	SCREW G 1/8 L= 28	2		

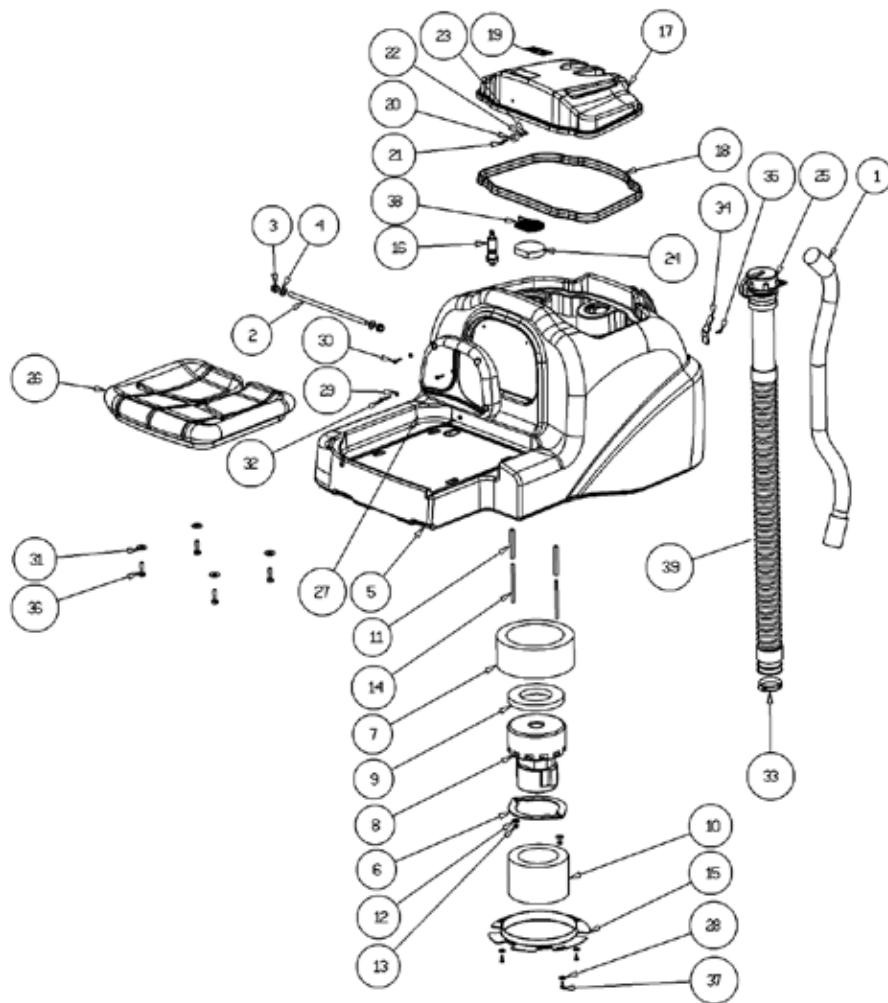


## Water Tank



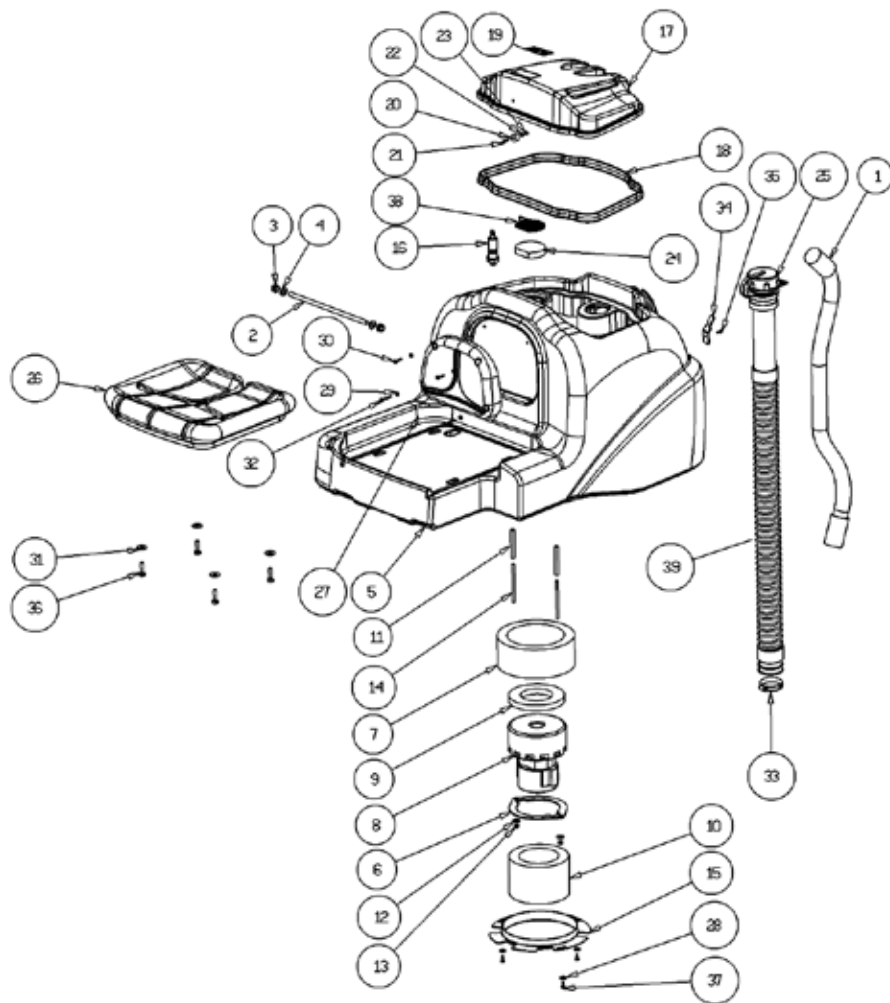
Ref.	Part N.	Description	Quantity	Validity From	Validity To
18	3TBBP15347	L.P. HOSE D. 6- 8 RILSAN NT	0.37		
19	3MPVR07127	COVER	1		
20	3VTRS00516	WASHER D. 5 INX	4		
21	3VTVT00805	SCREW TBEI M. 5-10	4		
22	3VTRS13946	WASHER D. 8 X24 INX UNI 6593	2		
23	3VTVT00410	SCREW TE M8x35 UNI5739 INOX	2		
24	3MPVR06399	CAP	1		
25	3MECI00533	SENSOR VS303-51N	1		
26	3LAFN09408	BRACKET	1		
27	3VTVT01300	SCREW TE M5X12 INOX	1		
28	3GUGO01054	O-RING D. 15.08 X 2.62 NBR 70SH	1	01/2015	

# Tank



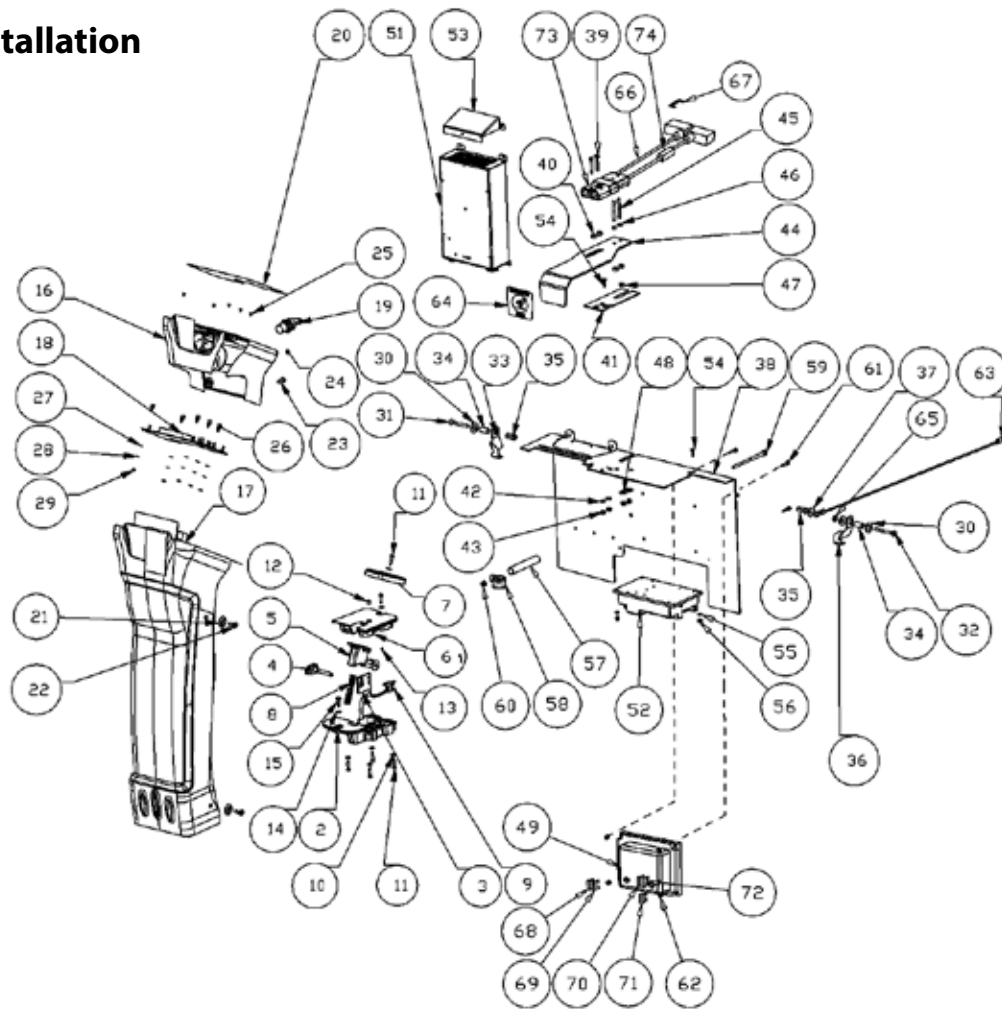
Ref.	Part N.	Description	Quantity	Validity From	Validity To
1	3TBBP00512	TUBE	1		
2	3LAFN09389	PIN	1		
3	3VTDD10310	NUT AUTOBL.M10 INOX DIN 985	2		
4	3VTRS15523	WASHER D.10 X21 INOX UNI 6592	2		
5	3MPVR07170	TANK	1		
6	3LAFN09352	FLANGE	1		
7	3ITSO00071	INSULATOR	1		
8	3MOCC00417	VACUUM CLEANER -	1		
9	3GUGO00272	GASKET VACUUM MOTOR	1		
10	3ITSO00072	INSULATOR	1		
11	3LAFN51078	SPACER SH	2		
12	3VTRS13945	WASHER D. 6X18 INX UNI 6593	2		
13	3VTDD01694	NUT M6 INOX	2		
14	3VTVR00198	ROD	2		
15	3MPVR07125	COVER	1		
16	3MECI00533	SENSOR VS303-51N	1		
17	3MPVR07118	COVER	1		
18	3GUVR00288	GASKET N052 S1007	1,21		
19	3ETET01824	LABEL	1		
20	3MPVR06400	CAP	1		

# Tank



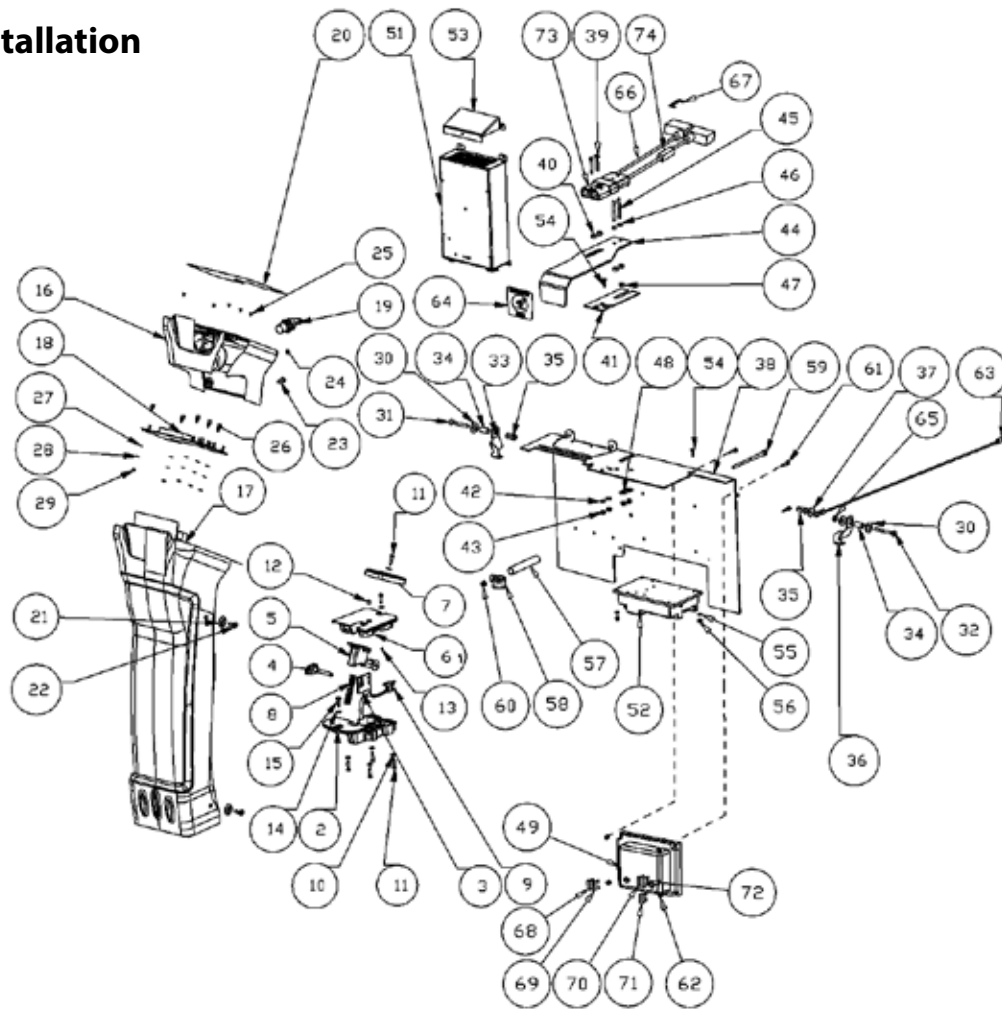
Ref.	Part N.	Description	Quantity	Validity From	Validity To
21	3VTVT00056	SCREW TSCE 4X12 STEEL INOX	1		
22	3VTRS00515	WASHER D. 4 INX	1		
23	3VTDD00055	NUT M 4 ATB A2	1		
24	3FTDP00232	FILTER	1		
25	3TBBP00513	TUBE	1		
26	3SESD86493	DISTRIBUTOR 60	1		
27	3MPVR07132	SHEET METAL PA	1		
28	3VTRS13750	WASHER D. 5X14 INX	3		
29	3VTRS00516	WASHER D. 5 INX	4		
30	3VTVT00852	SCREW	2		
31	3VTRS13946	WASHER D. 8 X24 INX UNI 6593	4		
32	3VTVT01207	SCREW TBEI 5X35	2		
33	3FSVR00033	CLAMP 45-60	1		
34	3LAFN09400	HOOK	1		
35	3VTVT21096	SCREW TE M 4X 10 INX	1		
36	3vTVT13937	SCREW TE M 8X 30 INX UNI 5739	4		
37	3VTVT01300	SCREW TE M5X12 INOX	3		
38	3LAFN09353	NET	1		
39	3KTRIO1980	KIT FOR DRAIN HOSE	1		

## Electrical Installation



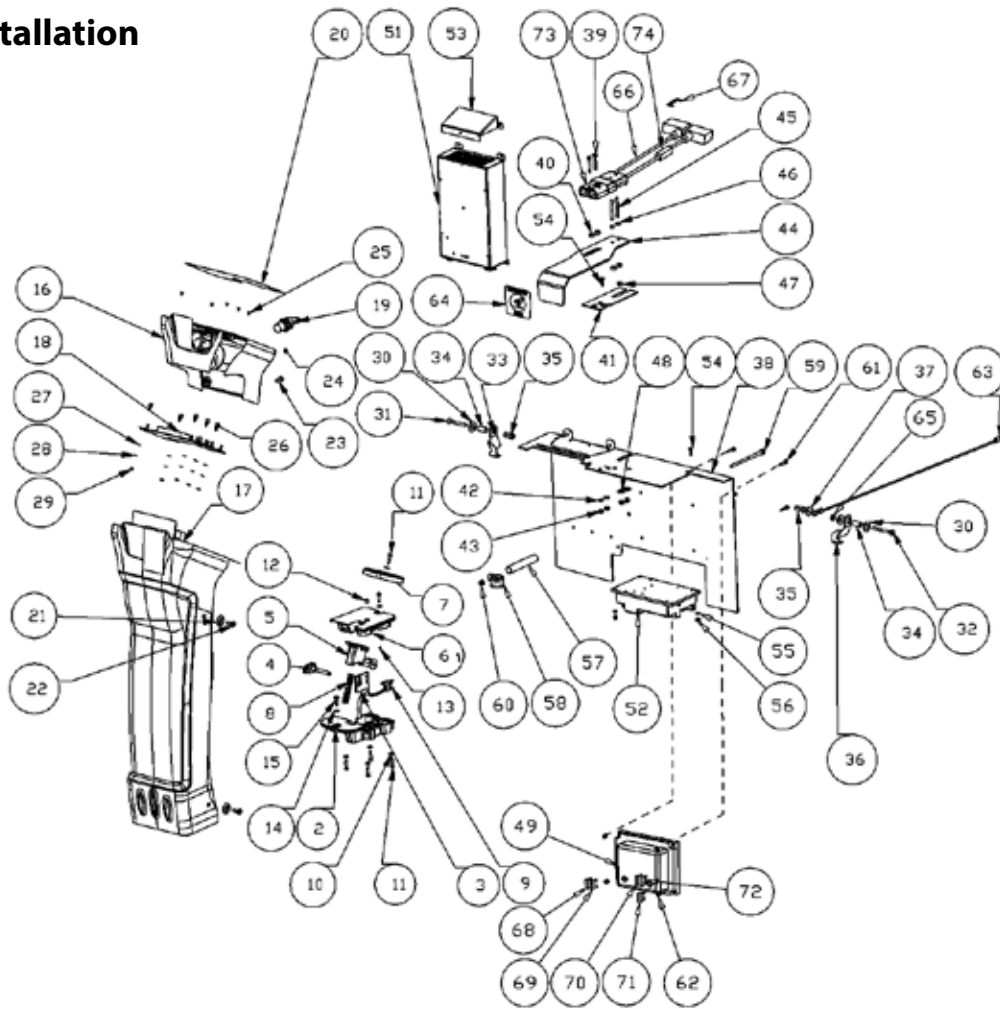
Ref.	Part N.	Description	Quantity	Validity From	Validity To
2	3MPVR07120	BUSHING	1		
3	3MPVR07122	PLATE	1		
4	3MEVR01755	POTENTIOMETER	1		
5	3MPVR07121	SUPPORT	1		
6	3MPVR07119	COVER	1		
7	3MPVR07126	COVER	1		
8	3MLML00339	SPRING	1		
9	3MECI00414	MICROSWITCH	1		
10	3VTRS00516	WASHER D. 5 INX	4		
11	3VTVT48694	SCREW TCB TC 5 X12 UNI 9707 TZ	4		
12	3RCVR00163	CAP D.6	1		
13	3VTVT01703	GRUB SCREW M4X8	1		
14	3VTRS00516	WASHER D. 5 INX	1		
15	3VTVT45339	SCREW TBEI M 5X 16 ISO 7380 ZB	1		
16	3MPVR07124	INSTR.PANE	1		
17	3MPVR07171	SIDE PANEL	1		
18	3MECE00589	BOARD DISPLAY	1		
19	3MECI75805	SWITCH TK	1		

## Electrical Installation



Ref.	Part N.	Description	Quantity	Validity From	Validity To
20	3ETET01797	LABEL	1		
21	3VTVR41809	UND.SCREW FLAN.D. 6.5-22 H4.5 NYL.NERO	4		
22	3VTVT00832	SCREW TSPEI M6X16 INOX	4		
23	3VTVT00787	SCREW TBEI M 6-16	2		
24	3VTRS13750	WASHER D. 5X14 INX	2		
25	3VTVT01377	SCREW TSP-TC M 3X5 UNI7688 INX	5		
26	3VTVR00576	SPACER M3	5		
27	3VTRS00268	WASHER D. 3	5		
28	3VTRS21116	WASHER D. 3 INX	5		
29	3VTDD21115	NUT M 3 INOX	5		
30	3VTRS15523	WASHER D.10 X21 INOX UNI 6592	2		
31	3VTVT26818	SCREW M6x45 TSPEI UNI5933	1		
32	3VTVT30247	SCREW TSPEI M 6X 50 UNI 5933	1		
33	3LAFN09398	BRACKET	1		
34	3MPVR07165	SPACER	2		
35	3VTVR00556	RIVET	2		
36	3LAFN09399	BRACKET	1		
37	3VTRS00245	WASHER D.6 UNI 6592 INOX	1		

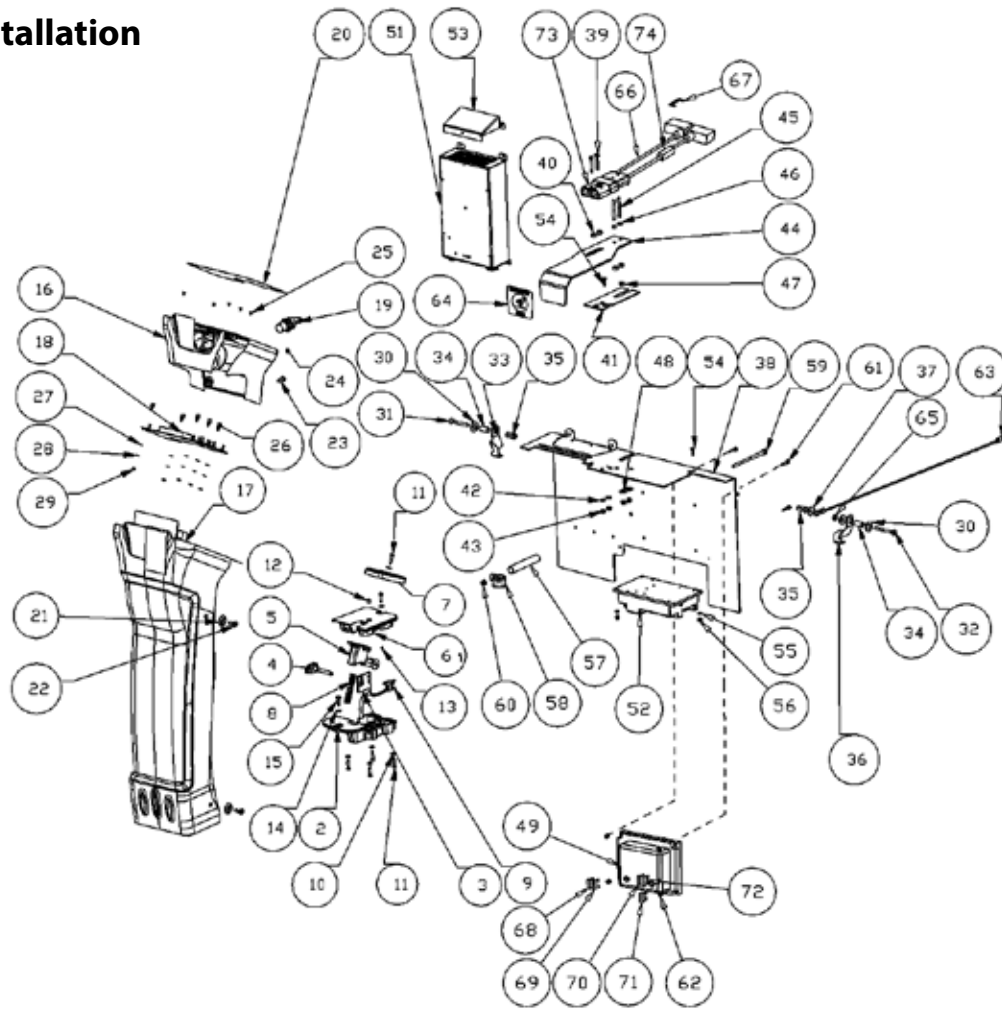
## Electrical Installation



Ref.	Part N.	Description	Quantity	Validity From	Validity To
38	3 LAFN09322	SHEET METAL PA.-	1		
39	3 VTVT00423	SCREW TE M 5X 30 UNI 5739	2		
40	3 MPVR07164	SPACER	2		
41	3 MPVR07141	PLATE	1		
42	3 VTRS00516	WASHER D. 5 INX	2		
43	3 VTDD01693	NUT M 5 INX	2		
44	3 LAFN09321	LEVER	1		
45	3 LAFN09350	PIN	2		
46	3 VTDD07727	NUT M 5 INOX	2		
48	3 VTRS13750	WASHER D. 5X14 INX	2		
49	3 KTRIO2313	BOARD POWER SERVICE	1		
51	3 BACA00178	BATTERY-CHARGER NE284 12V 15A GEL-AGM-AC.	1		
52	3 MECE00590	BOARD	1		
53	3 LAFN09326	CONVEYOR	1		
54	3 VTVT16939	SCREW M 4X 16 TSPEI UNI 5933	2		
55	3 VTRS00515	WASHER D. 4 INX	2		
56	3 VTDD00055	NUT M 4 ATB A2	2		
57	3 LAFN09323	TUBE	1		



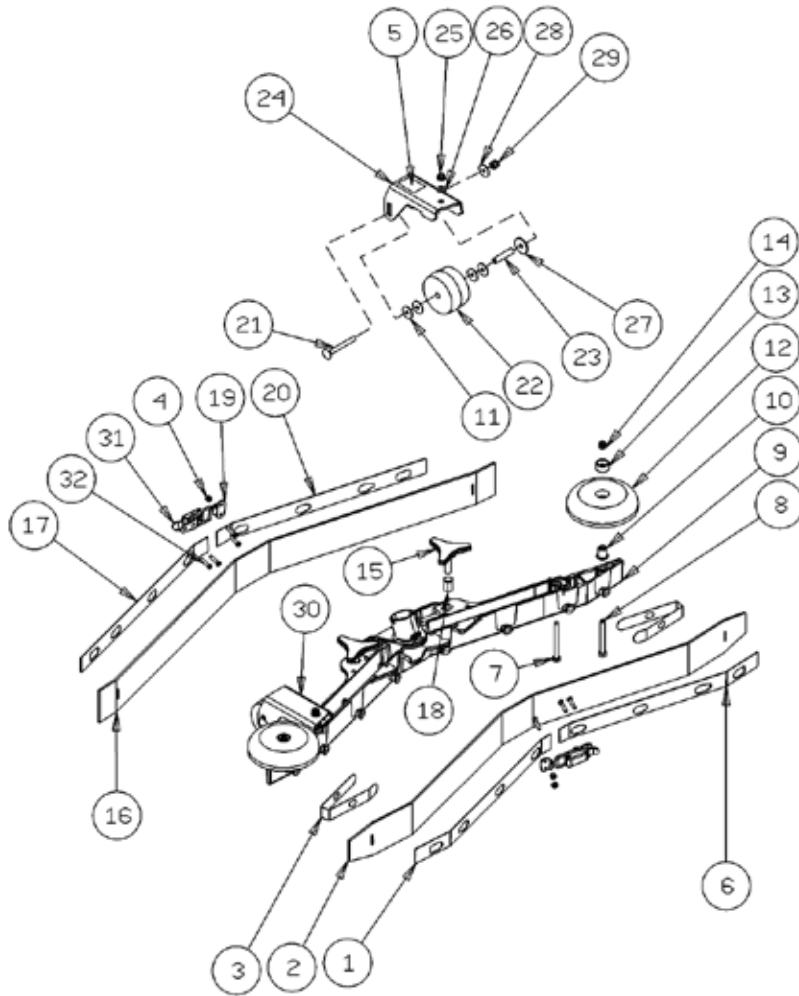
## Electrical Installation



Ref.	Part N.	Description	Quantity	Validity From	Validity To
58	3MEVR02096	FAIR-LEAD	1		
59	3VTVT00414	SCREW TE M6x100 UNI5739	1		
60	3VTDD01694	NUT M6 INOX	1		
61	3VTVT00704	SCREW TE M 4X 16 UNI5739 INOX	4		
62	3VTDD15925	NUT M 4 INX	4		
63	3CMCV00469	CABLE	1		
64	3ETET01825	LABEL	1		
65	3VTDD00053	NUT M6 INOX UNI5589	1		
66	3KTROI2290	CABLE	1		
67	3 EVR32087	FUSE 100A NST.	1		
68	3MEVR01136	FUSE 30A	1		
69	3MEVR01136	FUSE 30A	1		
70	3MEVR00565	FUSE 5A	1		
71	3MEVR01136	FUSE 30A	1		
72	3MEVR00565	FUSE 5A	1		
73	3MEVR01621	PLUG	1		
74	3MEVR31036	FUSE-HOLDER	1		

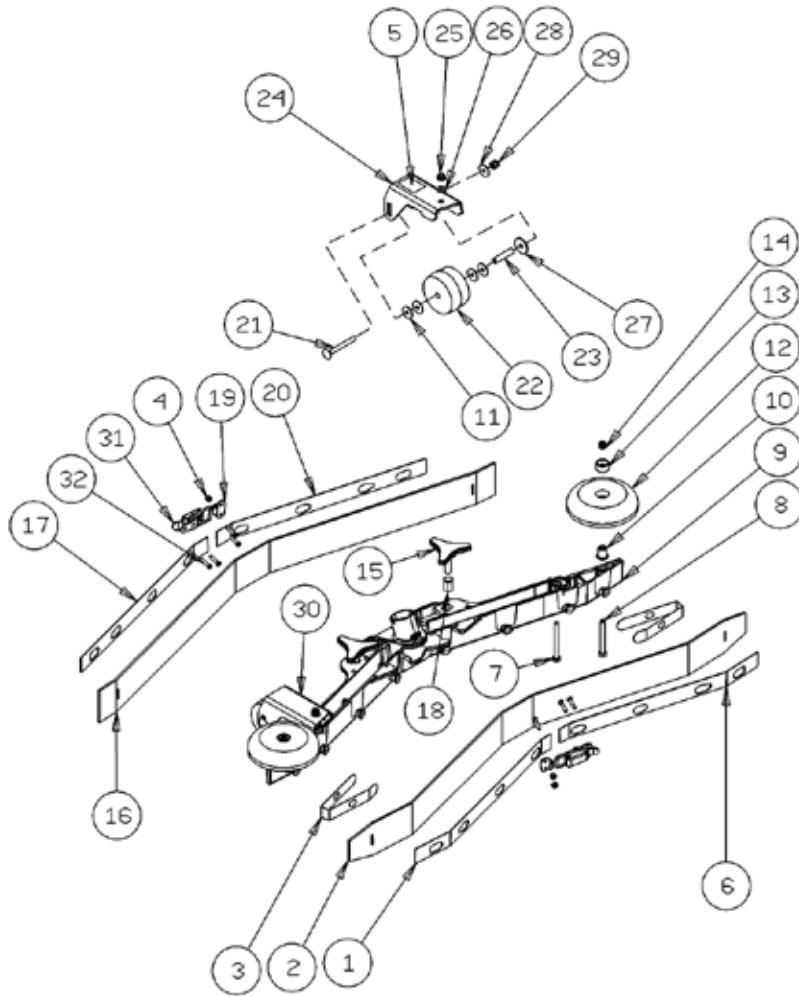


# Squeegee



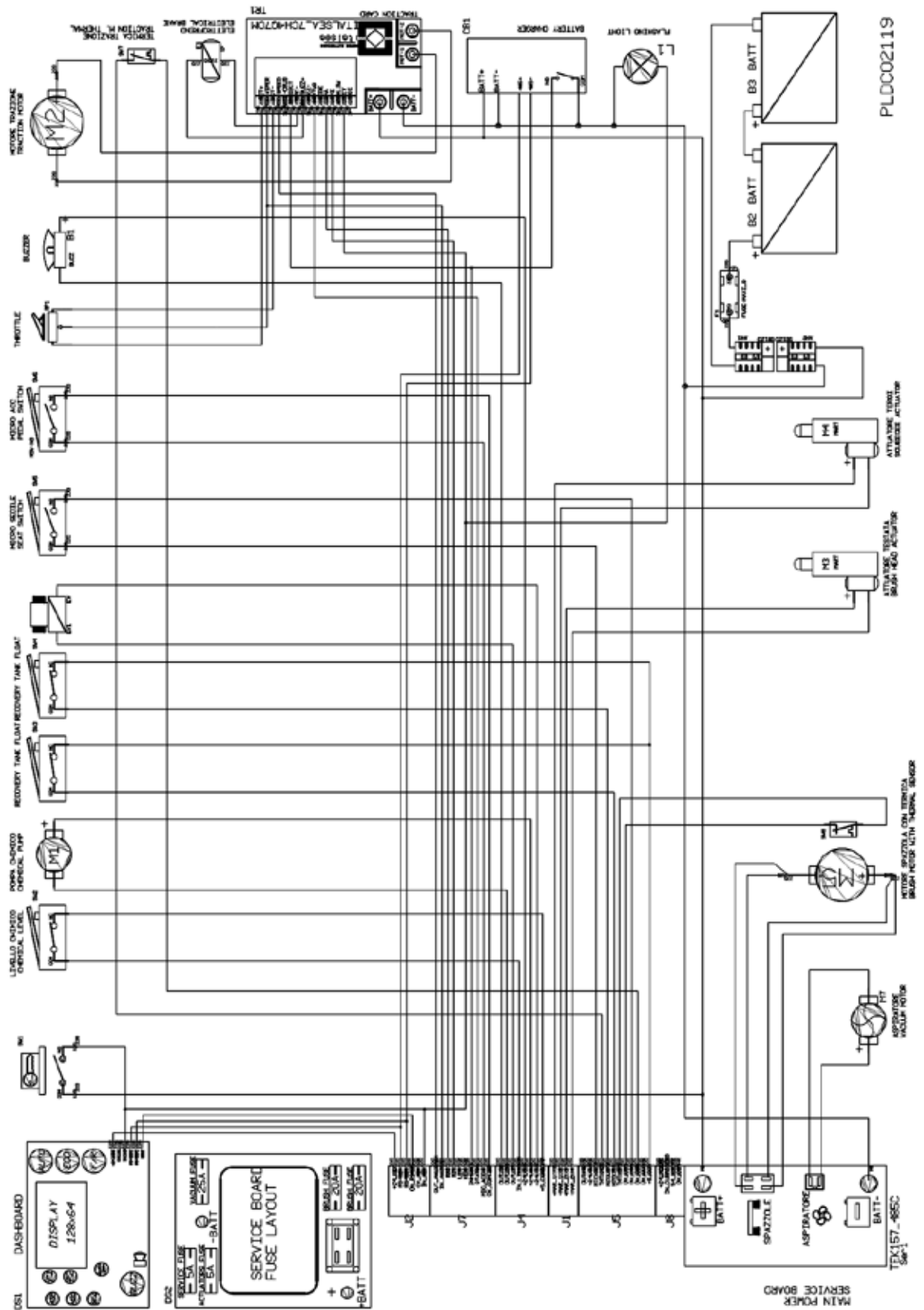
Ref.	Part N.	Description	Quantity	Validity From	Validity To
1	3LAFN09275	SHEET METAL PA.-	1		
2	3MPVR06287	BLADE XS 3MM LATEX	1		
3	3MPVR05897	CLOSURE S	2		
4	3VTDD00210	NUT M 3 INOX	8		
5	3ETET01817	LABEL	2		
6	3LAFN09276	SHEET METAL PA	1		
7	3VTVT17342	SCREW TE M 6X 60 UNI 5739 INX	2		
8	3VTVT00655	SCREW TE M. 6-55	2		
9	3MFVR00143	BODY SQUEEGEE CAST	1		
10	3LAFN04100	SPACER FOR BUMPER WHEEL	2		
11	3VTRS00274	WASHER NYLON 66 D.8,4-17-2 UNI	4		
12	3MPVR06105	SMALL WHEEL -	2		
13	3MPVR49229	BUSHING SHK	2		
14	3VTDD01694	NUT M6 INOX	2		
15	3MPVR06004	KNOB AISI 304	2		
16	3MPVR06288	BLADE XS 3MM LATEX	1		
17	3LAFN09277	SHEET METAL PA.-	1		

# Squeegee



Ref.	Part N.	Description	Quantity	Validity From	Validity To
18	3VTVR00567	INSERT	2		
19	3LAFN09301	SOCKET	2		
20	3LAFN09278	SHEET METAL PA.-	1		
21	3VTVT01206	SCREW M6X55	2		
22	3RTRT00398	WHEEL	2		
23	3LAFN07589	SPACER	2		
24	3LAFN09217	SUPPORT SX	1		
25	3VTDD01694	NUT M6 INOX	2		
26	3VTRS00245	WASHER D.6 UNI 6592 INOX	2		
27	3VTRS16937	WASHER 6x24 INOX UNI 6593	2		
28	3VTRS13945	WASHER D. 6X18 INX UNI 6593	2		
29	3VTDD15518	NUT M 6 INX	2		
30	3LAFN09216	SUPPORT DX	1		
31	3LAFN09302	CLOSURE	2		
32	3VTVT01070	SCREW TSTC M3X8	8		

# Electrical Diagram



Ref.	Part N.	Description	Quantity	Validity From	Validity To
0	3MECE00590	BOARD	1		



