

Parts Manual Manuel de pièces



Hurricane Scooter Ride-On

Automatic Scrubber

Code: 19353-C-AGM

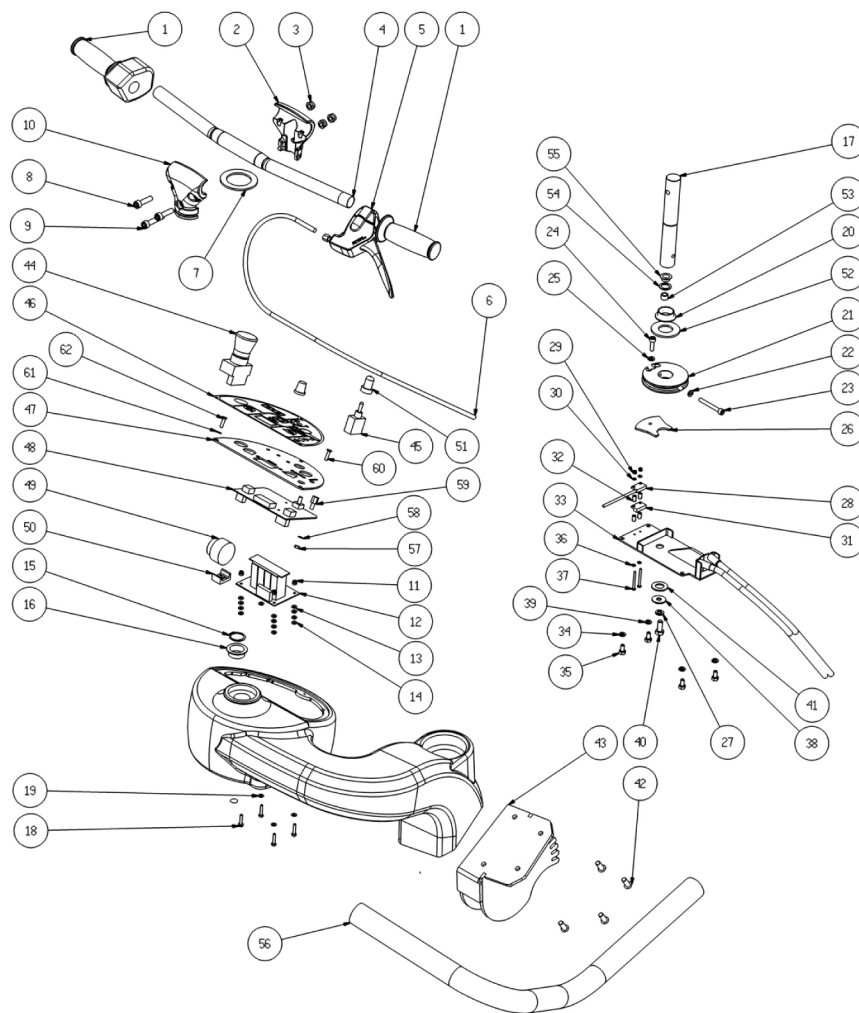
Serial #: _____

Date of Purchase: _____

More info : www.dustbane.ca

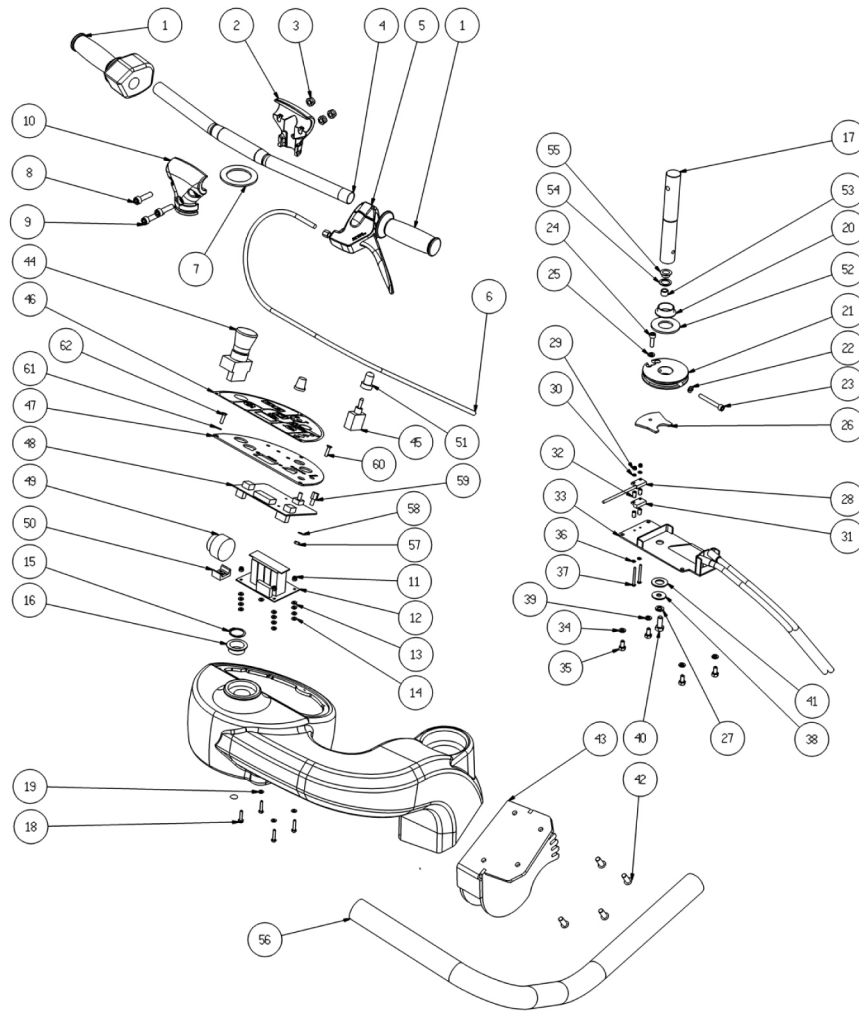
2014-10 / Photo updated on 2014-11

Board



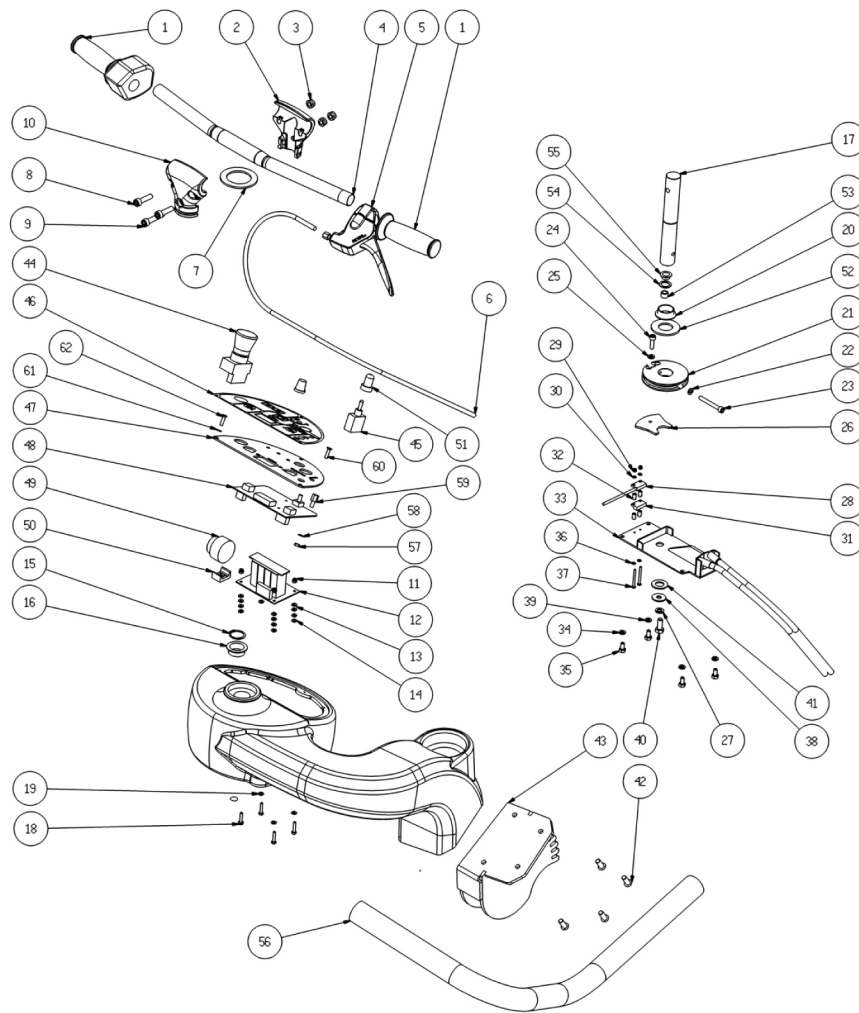
Ref.	Part N.	Description	Quantity	Validity From	Validity To
1	3MECE00477	ACCELERATOR	1		
2	3MFVR00215	SUPPORT	1		
3	3VTDD01695	NUT - M 8 INX	3		
4	3LAFN06905	HANDLE BAR	1		
5	3CMCV40002	LEVER	1		
6	3CMCV00436	BRAKE CABLE	1		
7	3MPVR05632	FLANGE	1		
8	3VTVT00822	SCREW - TCEI M 8-30	2		
9	3VTVT06241	CARRYNG BAG	1		
10	3MFVR00214	SUPPORT	1		
11	3VTDD15925	NUT - M 4 INX	4		
12	3MECE00482	BOARD	1		
13	3VTRS00515	WASHER - D. 4 INX	8		
14	3VTRS00515	WASHER - D. 4 INX	8		
15	3VTAE00018	SEEGER	1		

Board



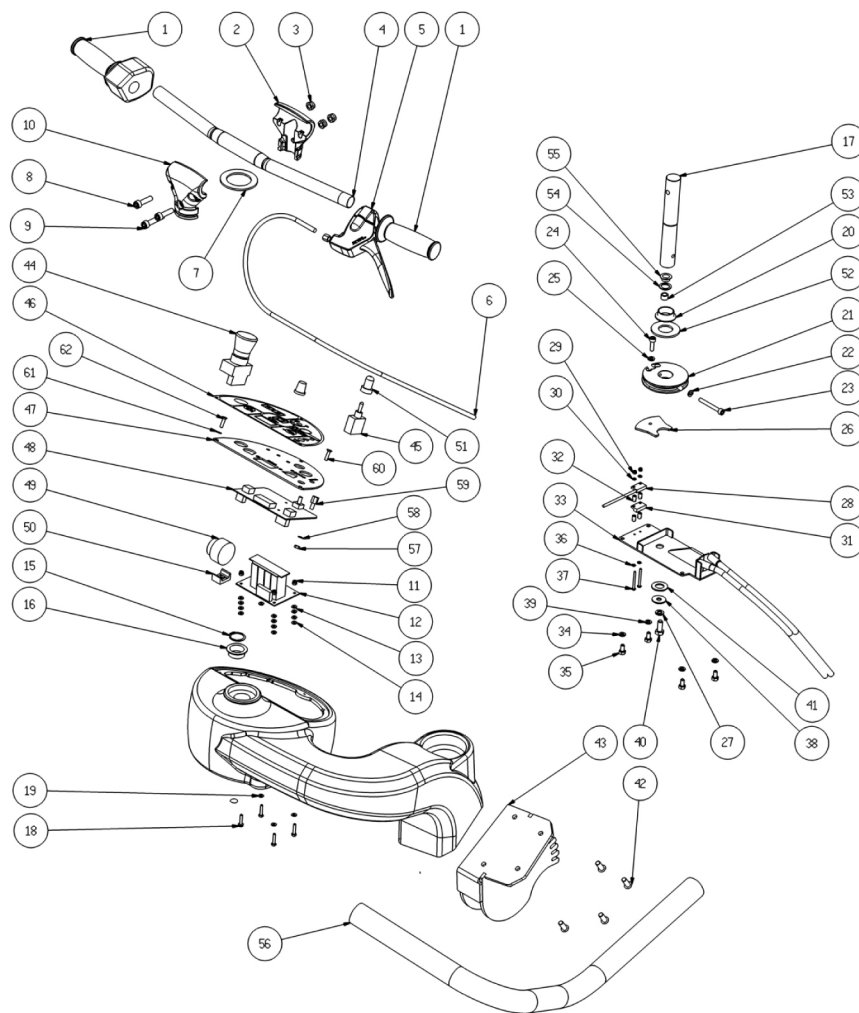
16	3MPVR05408	BUSHING	1
17	3LAFN06906	AXLE	1
18	3VTVT00727	SCREW - TE M. 4-20	4
19	3VTRS00515	WASHER - D. 4 INX	4
20	3MPVR05408	BUSHING	1
21	3MTPL00201	PULLEY	1
22	3VTRS15144	WASHER - D. 6 INX GRW UNI 1751	1
23	3VTVT00261	SCREW - TCEI M 6X50 ZC. UNI 5931	1
24	3VTVT00428	SCREW - TCEI 6X20 UNI5931 INX	1
25	3VTRS15144	WASHER - D. 6 INX GRW UNI 1751	1
26	3LAFN07619	PLATE	1
27	3VTRS15146	WASHER - D. 8 INX GRW UNI 1751	1
28	3MECI00560	SENSOR	1
29	3VTDD00210	NUT - M 3 INOX	2
30	3VTRS21116	WASHER - D. 3 INX	2

Board



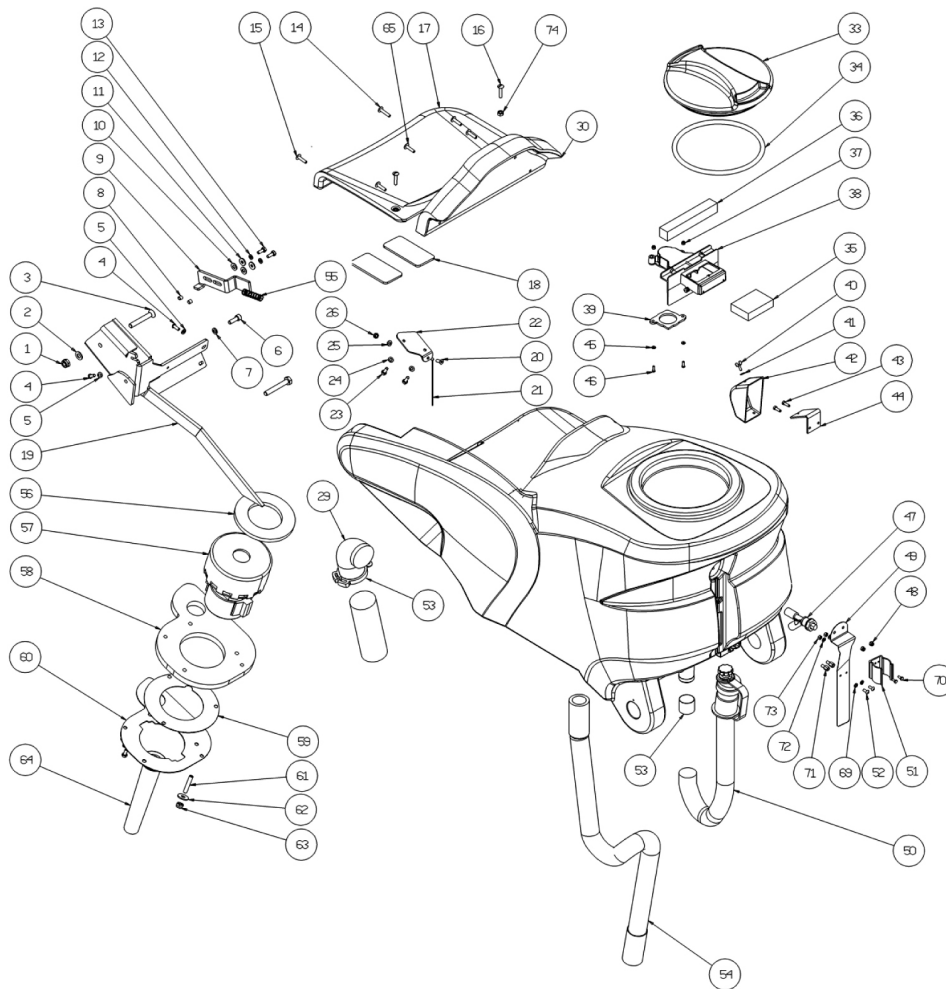
31	3MEVR01745	BLOCK	1
32	3MPVR05636	SPACER	4
33	3LAFN06907	BOX	1
34	3VTRS15144	WASHER - D. 6 INX GRW UNI 1751	4
35	3VTVT15143	SCREW - TE 6X16 UNI5739	4
36	3VTRS21116	WASHER - D. 3 INX	2
37	3VTVT00691	CARRYING BAG	2
38	3VTRS13946	WASHER - D. 8 X24 INX UNI 6593	1
39	3VTRS15146	WASHER - D. 8 INX GRW UNI 1751	1
40	3VTVT13938	SCREW - TE 8X20 UNI5739 INX	1
41	3VTRS00250	WASHER - D.14	1
42	3VTVT49163	SCREW - TBEI M 8X 20 ISO 7380 IX	4
43	3LAFN06909	PLATE	1
44	3MECI00402	BUTTON	1
45	3MECI30499	SWITCH - 10A - 250VAC	1

Board



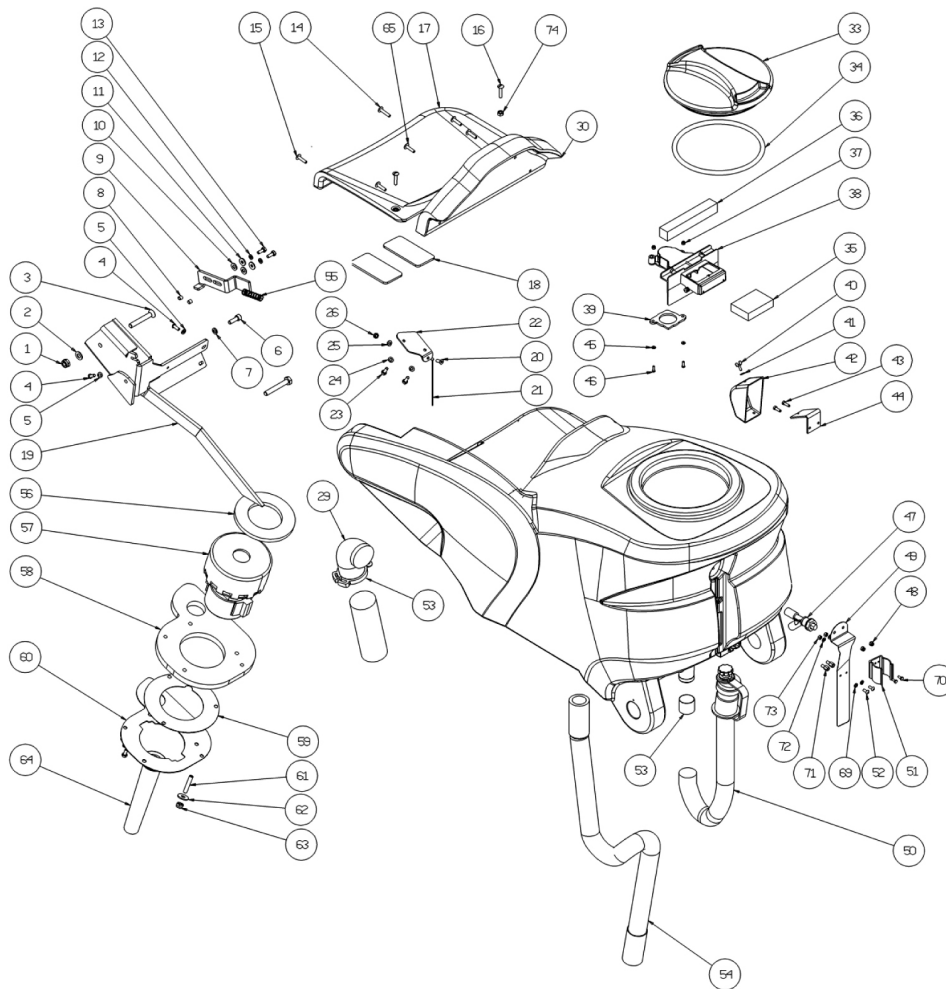
47	3LAFN06901	SUPPORT	1
48	3MECE00480	BOARD	1
49	3MEVR01436	BUZZER	1
50	3FSVR00243	CLAMP	1
51	3MEVR01975	RUBBER DEVIATORE	1
52	3VTRS00276	WASHER - 25x50	1
53	3LAFN08823	SPACER	1
54	3VTRS00376	WASHER - 15x21	1
55	3CUVR00186	BEARING	1
56	3MPVR05795	SHEATH	1
57	3VTDD21115	NUT - M 3 INOX	3
58	3VTRS00268	WASHER - D.3	3
59	3VTVR00481	INSERT	3
60	3VTVT00865	SCREW - TSP-TC M 3X 6 UNI7688 INX	3
61	3VTRS00515	WASHER - D. 4 INX	3
62	3VTVT37012	SCREW - M 4X 10 TCB-TC INX	3

Recovery Tank



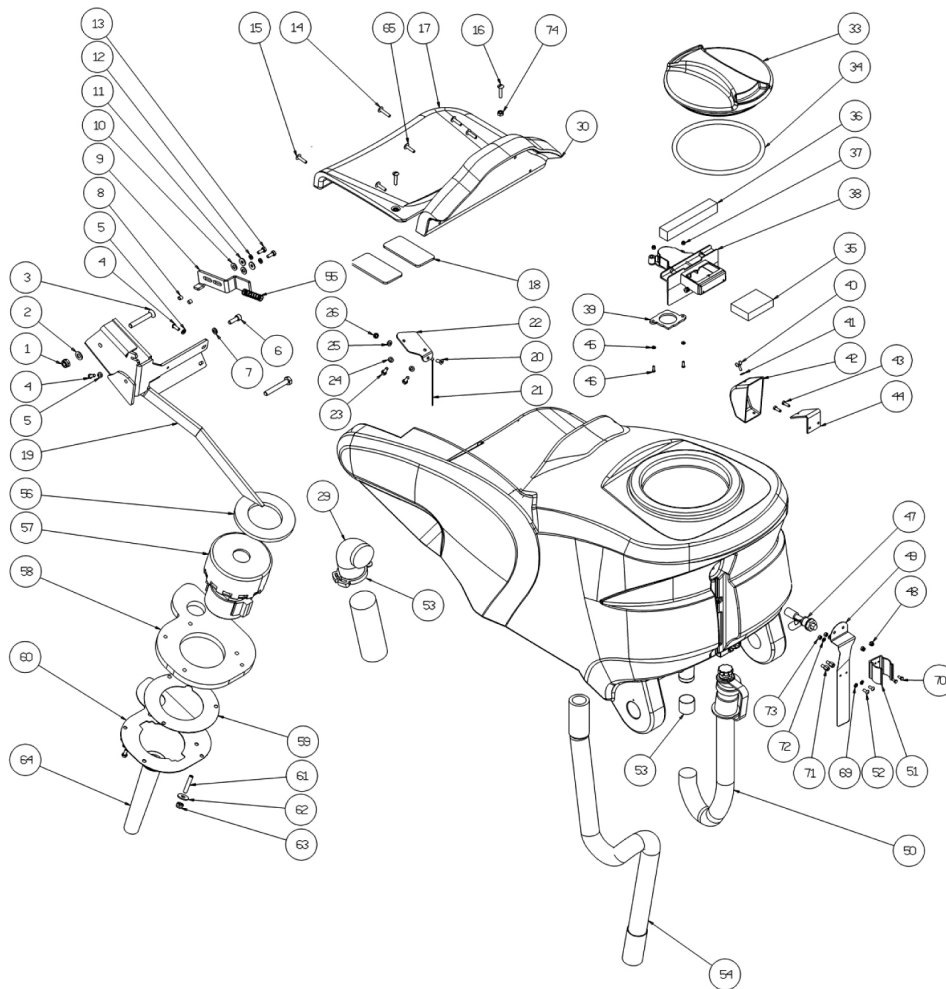
Ref.	Part N.	Description	Quantity	Validity From	Validity To
1	3VTDD15519	NUT - M10 INOX	1		
2	3VTRS15523	WASHER - D.10 X21 INOX UNI 6592	1		
3	3VTVT01685	SCREW - TSPEI M.10X70	1		
4	3VTVT00787	SCREW - TBEI M 6-16	2		
5	3VTRS15144	WASHER - D. 6 INX GRW UNI 1751	2		
6	3VTVT00639	SCREW - TCEI 8X25	1		
7	3VTRS15146	WASHER - D. 8 INX GRW UNI 1751	1		
8	3LAFN07202	SPACER	2		
9	3LAFN06908	HOOK	1		
10	3VTRS00274	WASHER - NYLON 66 D.8,4-17-2 UNI	2		
11	3VTRS13945	WASHER - D. 6X18 INX UNI 6593	2		
12	3VTRS15144	WASHER - D. 6 INX GRW UNI 1751	2		
13	3VTVT15143	SCREW - TE 6X16 UNI5739	2		
14	3VTVT01007	SCREW - 6X30	3		
15	3VTVT01006	SCREW - 6X25	1		
16	3VTVT01006	SCREW - 6X25	1		
17	3MPVR05393	SEAT	1		

Recovery Tank



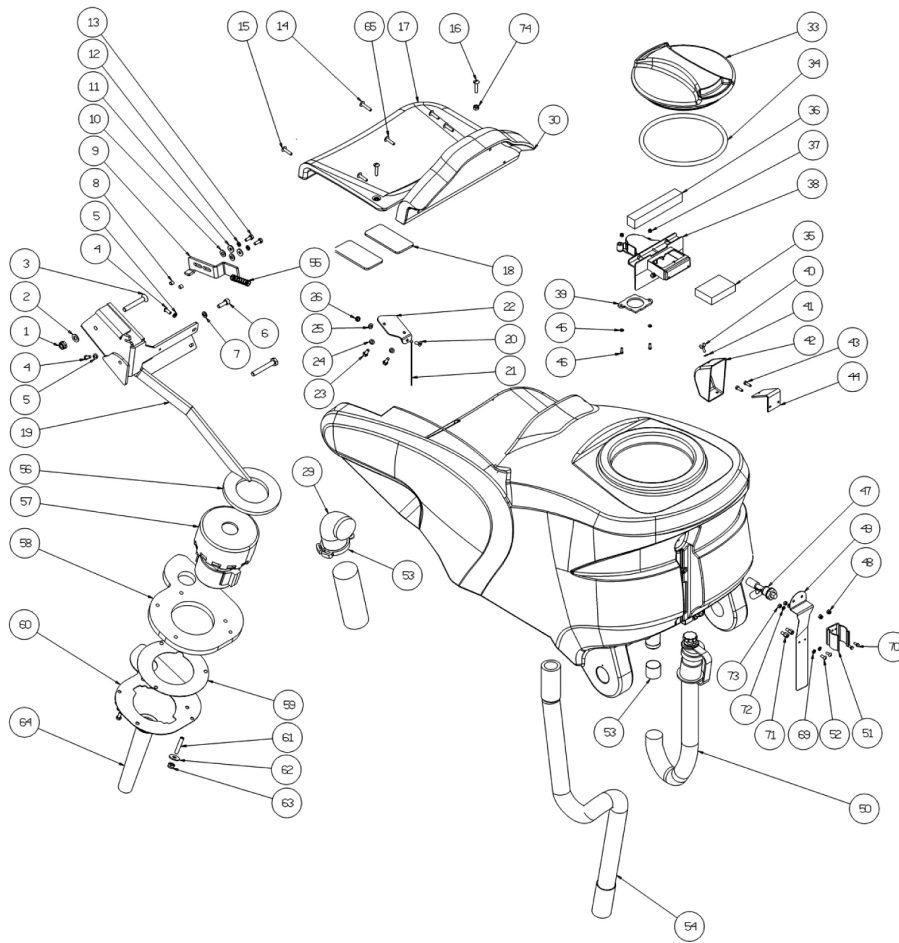
18	3MEVR00148	DASHBOARD	1
19	3LAFN06910	PLATE	1
20	3VTVT00832	SCREW - TSPEI M6X16 INOX	1
21	3CMCV00360	CABLE	1
22	3LAFN07607	BRACKET	1
23	3VTVT15143	SCREW - TE 6X16 UNI5739	2
24	3VTRS15144	WASHER - D. 6 INX GRW UNI 1751	2
25	3VTRS00245	WASHER - D.6 UNI 6592 INOX	1
26	3VTDD01694	NUT - M 6 INX	1
29	3MPVR05790	SLEEVE	1
30	3MPVR05775	SHEET METAL	1
33	3MPVR04051	TANK CAP	1
34	3GUGO00263	GASKET	1
35	3FTDP00133	FILTER	1
36	3GUGO00418	GASKET	1
37	3VTDD15925	NUT - M 4 INX	2
38	3MPVR05482	BOX	1

Recovery Tank



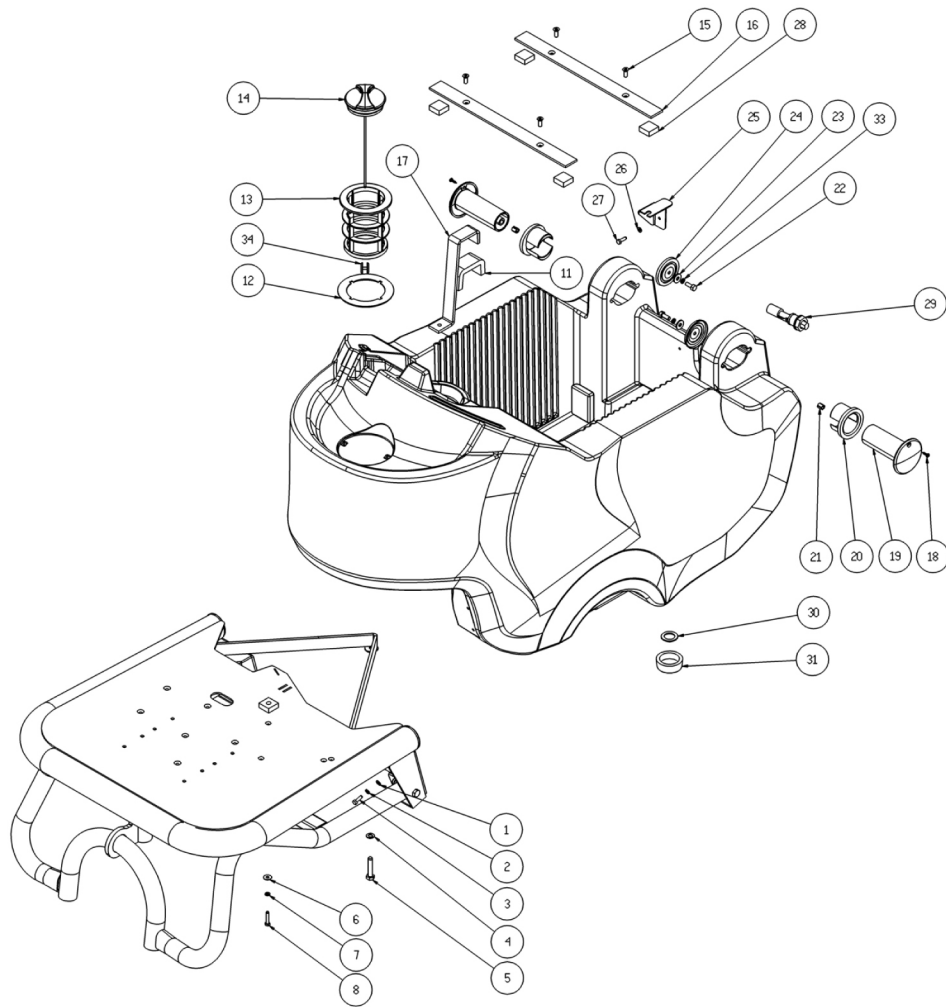
39	3GUGO00417	GASKET	1
40	3VTVT01150	SCREW - 4x10	1
41	3VTRS00570	WASHER	1
42	3MPVR05596	PROTECTION	1
43	3VTVT07725	SCREW - TE 5X16 UNI5739 INX	2
44	3LAFN07728	BRACKET	1
45	3VTRS00251	WASHER - 4-16 INOX A2	2
46	3VTVT00873	SCREW - TE 4X35	2
47	3MECI00516	SENSOR	1
48	3VTDD01693	NUT - M 5 INX	2
49	3LAFN07624	PROTECTION	1
50	3TBBP00456	TUBE	1
50	3TBFX00348	TUBE	1
51	3MPVR46988	CLIP	1
52	3VTVT37012	SCREW - M 4X 10 TCB-TC INX	2
53	3FSVR00254	CLAMP	1
54	3TBFX00337	TUBE	1

Recovery Tank



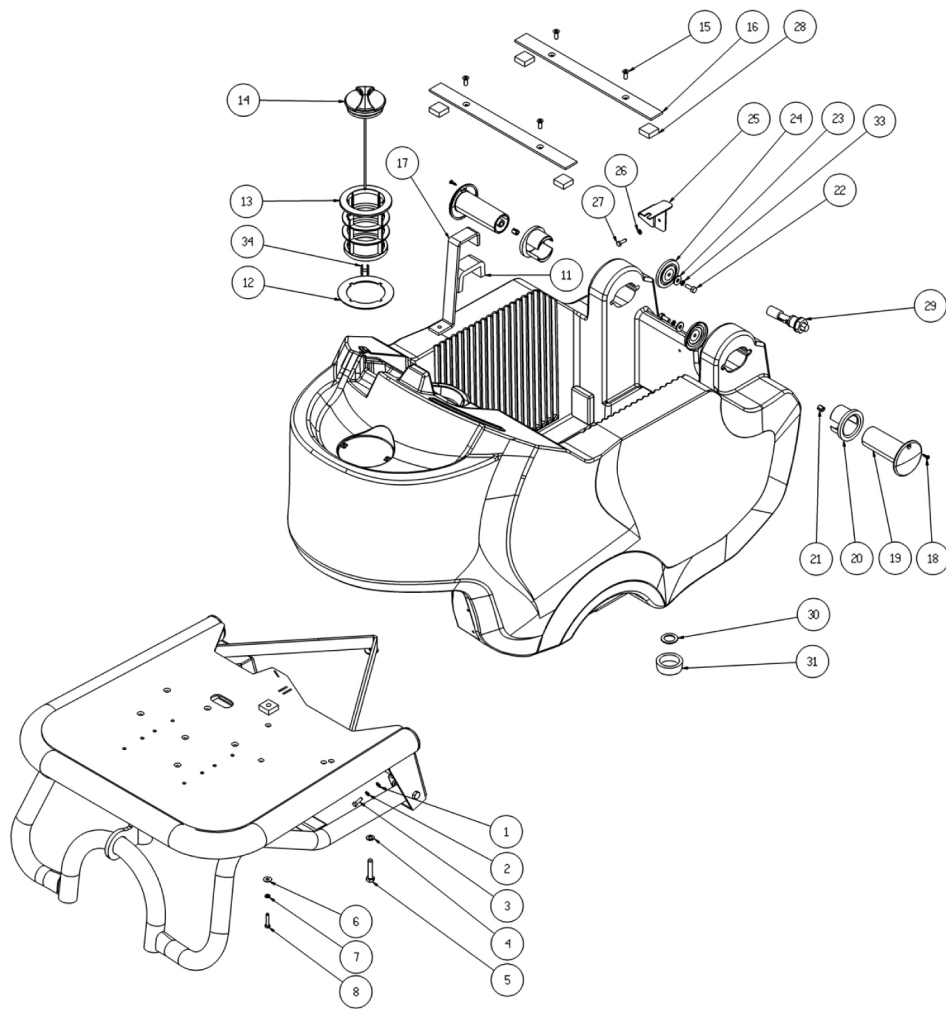
55	3MLML38415	SPRING	1
56	3GUGO00272	GASKET	1
57	3MOCC00342	VACUUM CLEANER 24V	1
58	3MPVR05103	SOUND PROOFING	1
59	3MPVR04724	FLANGE	1
60	3LAFN06363	FLANGE	1
61	3VTVT00900	SCREW - M 6-30	3
62	3VTRS13945	WASHER - D. 6X18 INX UNI 6593	3
63	3VTDD01694	NUT - M 6 INX	3
64	3MPVR05635	TUBE	1
65	3VTVT01370	SCREW - M6X35	4
67	3RCVR00545	CONNECTOR 90°	1
68	3VTVT48694	SCREW - TCB TC 5 X12 UNI 9707 TZ	1
69	3VTRS15913	WASHER - D. 4 GROVER A2 UNI1751	2
70	3VTVT21096	SCREW - TE M 4X 10 INX	2
71	3MPVR05794	SPACER	2
72	3VTRS00515	WASHER - D. 4 INX	2
73	3VTDD00055	NUT - M 4 ATB A2	2
74	3VTDD01694	NUT - M 6 INX	1

Solution Tank



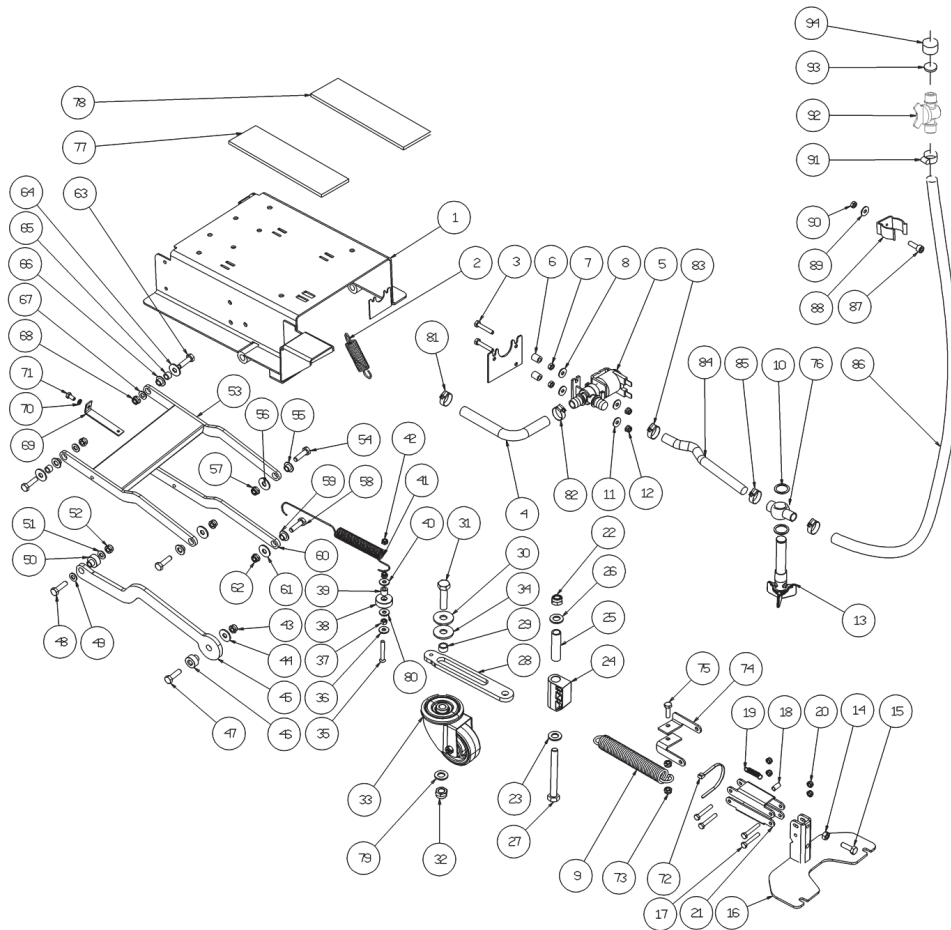
Ref.	Part N.	Description	Quantity	Validity From	Validity To
1	3VTRS13750	WASHER - D. 5X14 INX	4		
2	3VTRS15908	WASHER - D. 5 INX GRW UNI 1751	4		
3	3VTVT01300	SCREW - TE M5X12 INOX	4		
3	3VTVT07725	SCREW - TE 5X16 UNI5739 INX	4		
4	3VTRS15146	WASHER - D. 8 INX GRW UNI 1751	2		
5	3VTVT00708	SCREW - TE M. 8-40	2		
6	3VTRS13750	WASHER - D. 5X14 INX	2		
7	3VTRS15908	WASHER - D. 5 INX GRW UNI 1751	2		
8	3VTVT00766	SCREW - TE M. 5-25	2		
11	3MPVR05642	THICKNESS	1		
12	3GUGO00267	GASKET	1		
13	3FTAC00041	FILTER	1		
14	3MPVR05188	CAP	1		
15	3VTVT00832	SCREW - TSPEI M6X16 INOX	4		
16	3LAFN07604	PLATE	2		
17	3LAFN07751	BRACKET	1		

Solution Tank



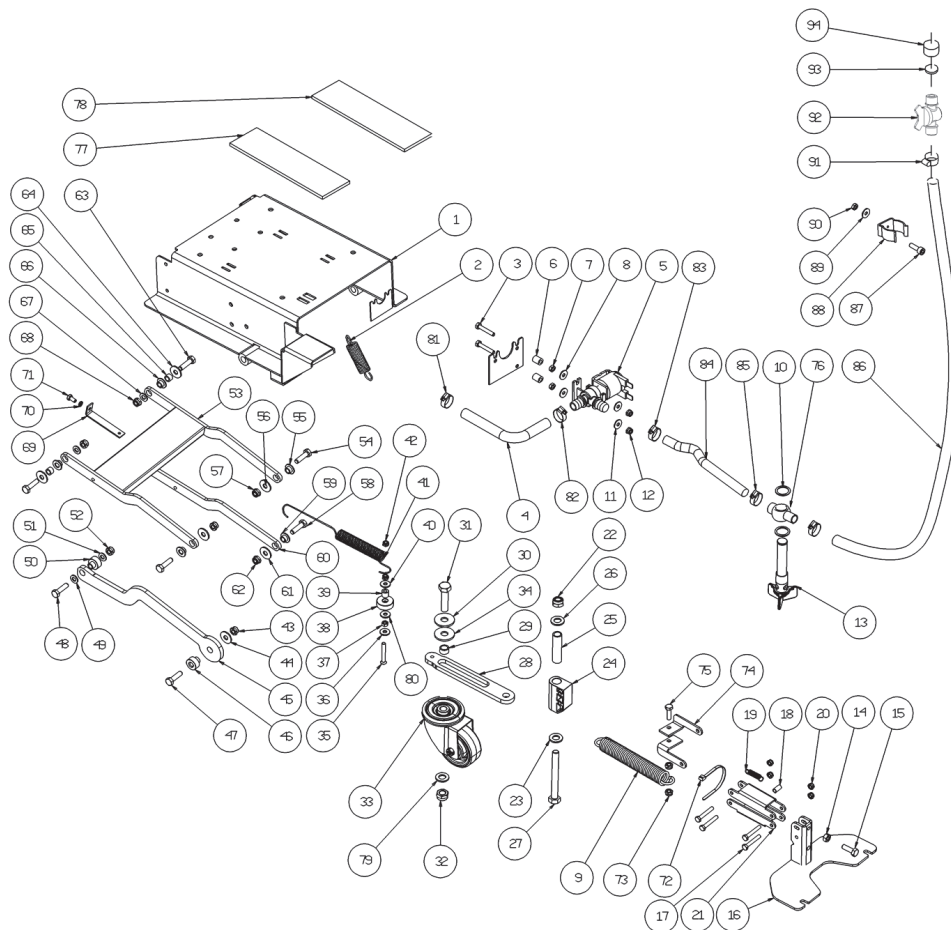
18	3VTVT48694	SCREW - TCB TC 5 X12 UNI 9707 TZ	2
19	3MPVR48695	PIN	2
20	3PMVR02028	RUBBER	2
21	3VTVR48693	INSERT - M6 D.9	2
22	3VTVT15143	SCREW - TE 6X16 UNI5739	2
23	3VTRS13945	WASHER - D. 6X18 INX UNI 6593	2
24	3LAFN07800	SHEET METAL	2
25	3LAFN06925	BRACKET	1
26	3VTRS15908	WASHER - D. 5 INX GRW UNI 1751	1
27	3VTVT01300	SCREW - TE M5X12 INOX	1
28	3MPVR05743	THICKNESS	4
29	3MECI00516	SENSOR	1
30	3GUGO00416	GASKET	1
31	3MPVR04931	CAP	1
32	3MPVR02944	CAP	1
33	3VTRS15144	WASHER - D. 6 INX GRW UNI 1751	2
34	3MPVR02944	CAP	1

Frame



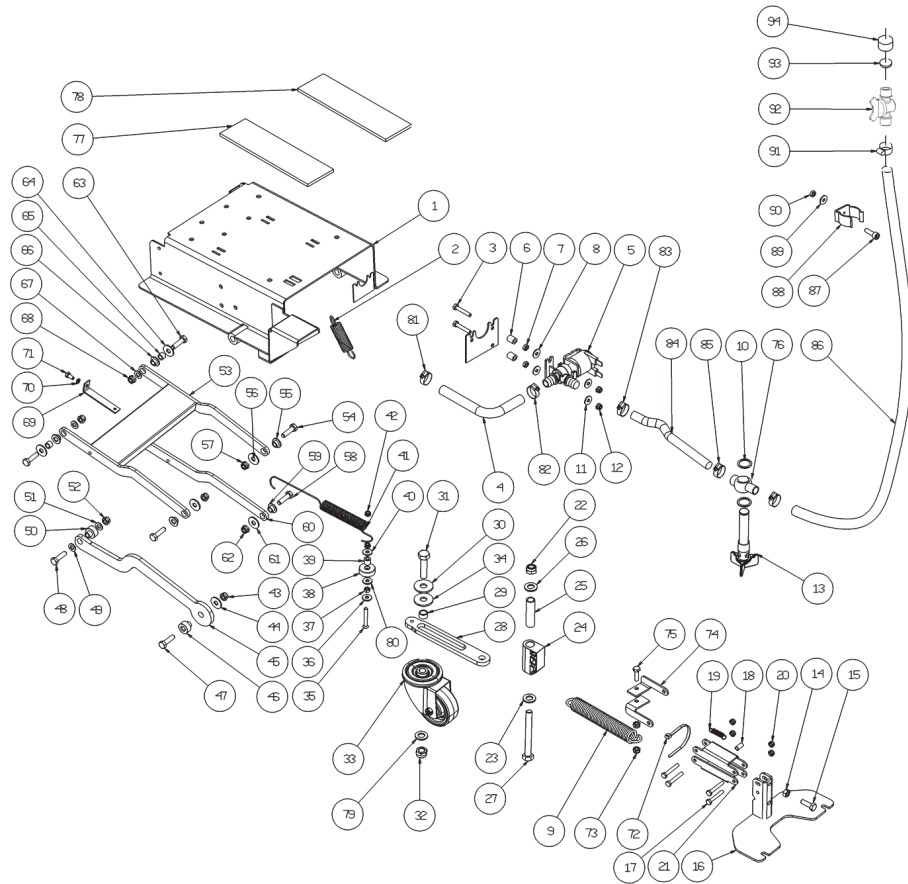
Ref.	Part N.	Description	Quantity	Validity From	Validity To
1	3LAFN06923	BASE	1		
2	3MLML00325	SPRING	1		
3	3VTVT00814	SCREW TE M.4-25	2		
4	3TBFX48011	TUBE FLEX D.12X3 ARMORV.PVC TR	0,70		
5	3MEEV00036	SOLENOID VALVE HOLE 8mm CLEANTIME	1		
6	3MPVR05911	SPACER	2		
7	3VTDD00147	NUT M 4 INX U.5588	2		
8	3VTRS00017	WASHER ACCIAIO INOX 4X12	2		
9	3MLML31105	SPRING D. 17.5 X105 N36	1		
10	3VTRS00567	WASHER	1/2 2		
11	3VTRS00017	WASHER ACCIAIO INOX 4X12	2		
12	3VTDD00055	NUT M 4 ATB A2	2		
13	3MPVR05221	FILTER COMPLETO	1		02/2013
13	3MPVR06303	FILTER CT40-70-90	1	02/2013	
14	3VTDD15521	NUT M 8 INX A2 UNI 5588	1		
15	3VTVT00410	SCREW TE M8x35 UNI5739 INOX	1	04/2011	
15	3VTVT13937	SCREW TE M 8X 30 INX UNI 5739	1		04/2011
16	3LAFN07560	PLATE	1		
17	3VTVT15145	SCREW TE 6X40 UNI5739 INX	4		

Frame



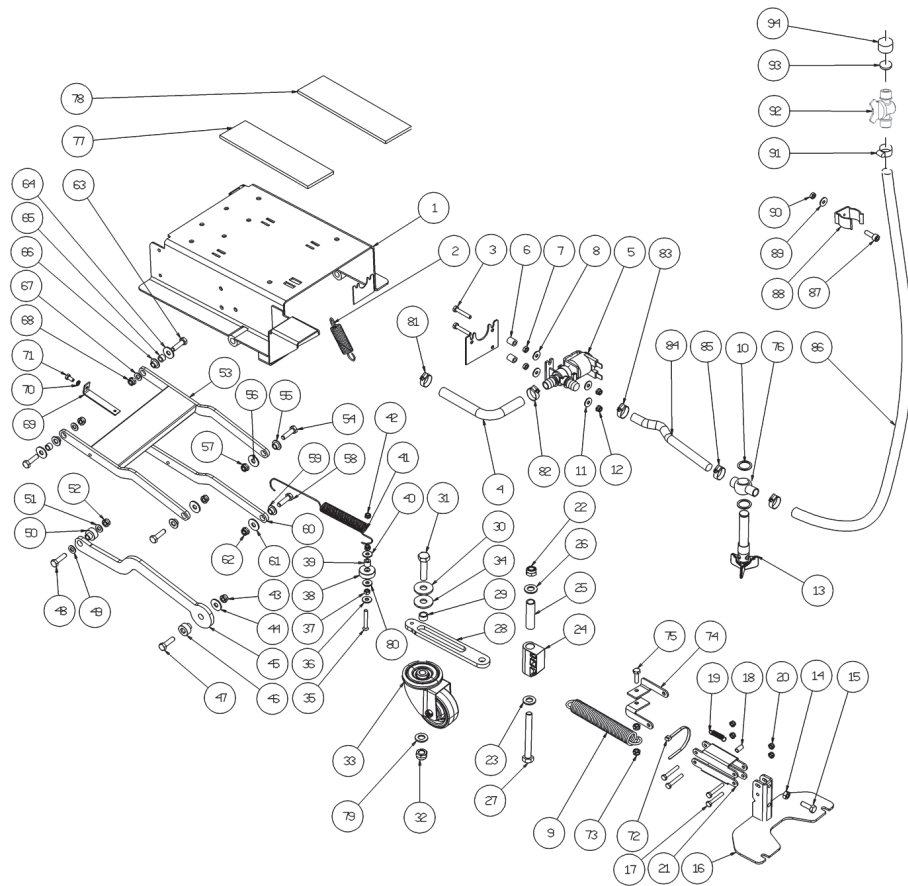
18	3LAFN06898	SPACER 6-8 h15	1
19	3MLML00303	SPRING REGISTRAZIONE FLAP	1
20	3VTDD01694	NUT M6 INOX	4
21	3LAFN05853	LEVER ARM SOLLEVAMENTO TERGI	2
22	3VTDD00176	NUT M.12 INOX A2 BASSO AUTOB.	1
23	3VTRS15978	WASHER D.12X24 UNI 6592 INX	1
24	3MPVR04734	BLOCK TERGI	1
25	3LAFN04188	PIN ROTAZIONE SQUEEGEE	1
26	3VTRS15978	WASHER D.12X24 UNI 6592 INX	1
27	3VTVT01686	SCREW TE M12X90	1
28	3LAFN07767	ARM	1
29	3LAFN07768	SPACER	1
30	3VTRS09142	WASHER D.12 X 36	1
31	3VTVT28884	SCREW TE M 12X 50 UNI 5737 INX	1
32	3VTDD00176	NUT M.12 INOX A2 BASSO AUTOB.	1
33	3RTRT00395	WHEEL CASTOR D.80X25 PU	1
34	3MPVR05684	WASHER	1
35	3VTVT26818	SCREW M6x45 TSPEI UNI5933	1
36	3VTRS13945	WASHER D. 6X18 INX UNI 6593	1
37	3VTDD15520	NUT M 6 A2 UNI 5588 INX	1

Frame



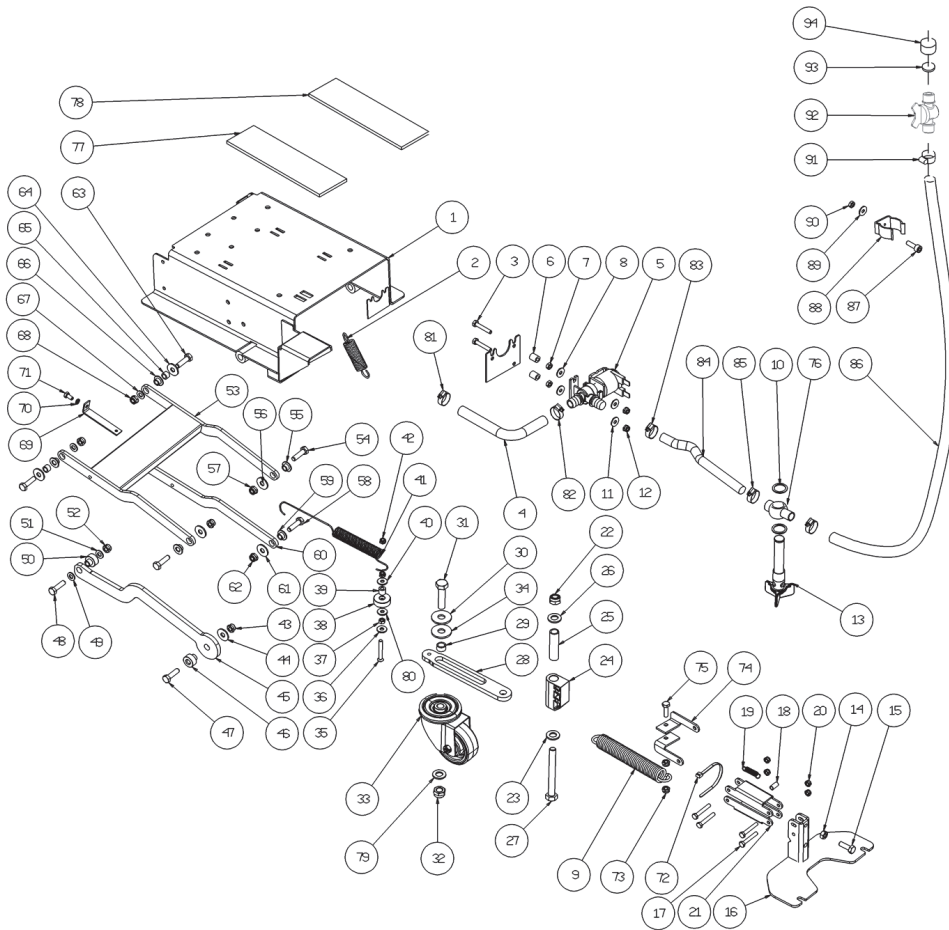
38	3MPVR05637	BUSHING	1
39	3LAFN04187	SPACER PER RIDUTTORE	1
40	3VTRS13945	WASHER D. 6X18 INX UNI 6593	1
41	3MLML48789	SPRING TR RHN	1
42	3VTDD01694	NUT M6 INOX	2
43	3VTDD01695	NUT M 8 INX	1
44	3VTRS13946	WASHER D. 8 X24 INX UNI 6593	1
45	3LAFN06924	LEVER	1
46	3LAFN04190	BUSHING PARALLELOGR.TEST.GR.	1
47	3VTVT00410	SCREW TE M8x35 UNI5739 INOX	1
48	3VTVT00429	SCREW TE M 8X 40 INX UNI 5737	1
49	3VTRS13947	WASHER D. 8 INX UNI 6592	1
50	3LAFN04190	BUSHING PARALLELOGR.TEST.GR.	1
51	3VTRS13947	WASHER D. 8 INX UNI 6592	1
52	3VTDD01695	NUT M 8 INX	1
53	3LAFN07563	ARM	1
54	3VTVT15907	SCREW TE 8X25 UNI5739 INX	1
55	3LAFN06391	BUSHING PARALLELOGRAMMA	1
56	3VTRS13946	WASHER D. 8 X24 INX UNI 6593	1

Frame



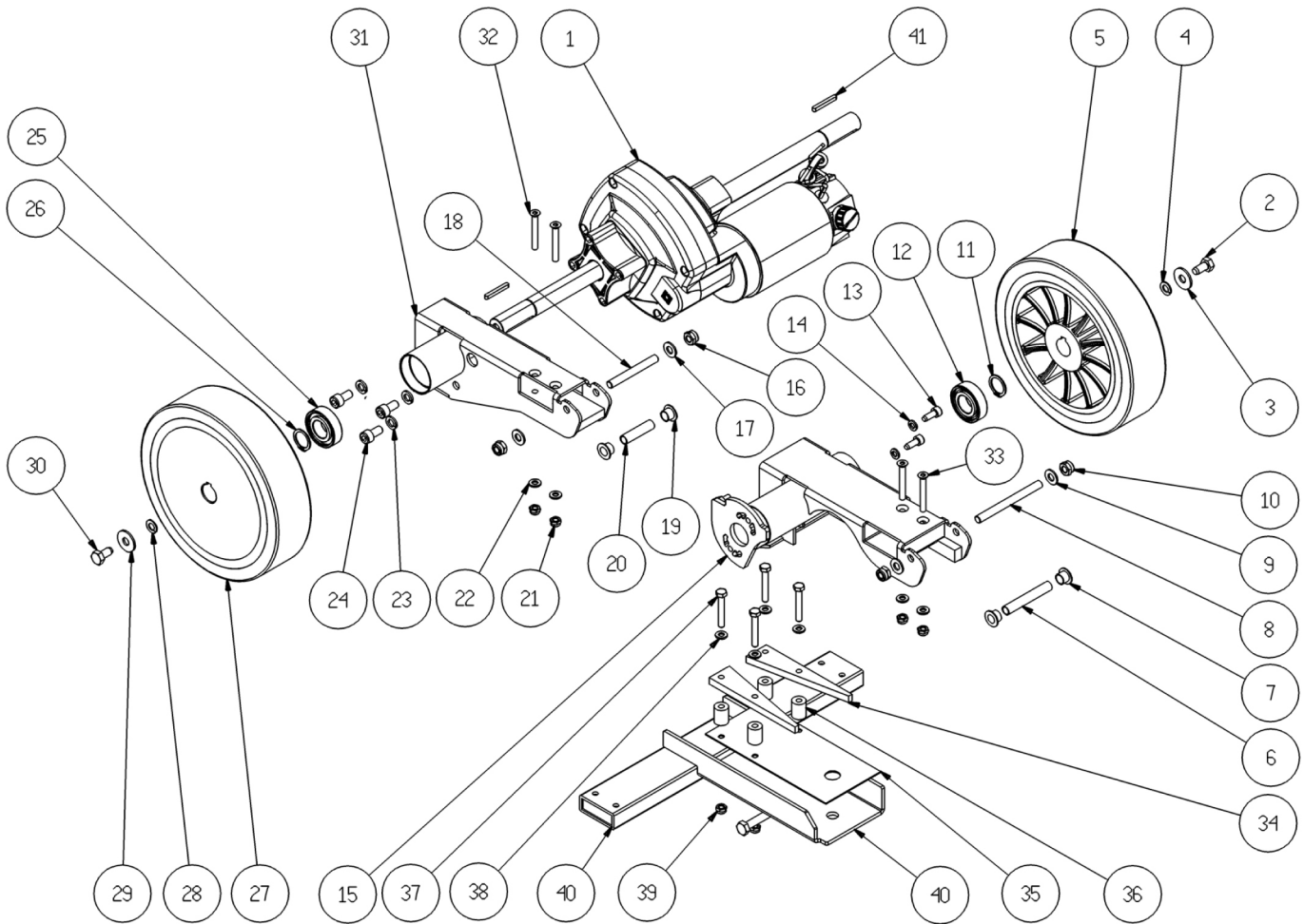
57	3VTDD01695	NUT M 8 INX	1
58	3VTVT15907	SCREW TE 8X25 UNI5739 INX	1
59	3LAFN06391	BUSHING PARALLELOGRAMMA	1
60	3LAFN06389	ARM PARALLELOGRAMMA	1
61	3VTRS13946	WASHER D. 8 X24 INX UNI 6593	1
62	3VTDD01695	NUT M 8 INX	1
63	3VTVT13937	SCREW TE M 8X 30 INX UNI 5739	2
64	3VTRS13946	WASHER D. 8 X24 INX UNI 6593	2
65	3RCDS34717	BUSHING D. 9X12X 8.3	2
66	3LAFN06391	BUSHING PARALLELOGRAMMA	2
67	3VTRS13947	WASHER D. 8 INX UNI 6592	2
68	3VTDD01695	NUT M 8 INX	2
69	3LAFN07766	TIE ROD	1
70	3VTRS15144	WASHER D. 6 INX GRW UNI 1751	1
71	3VTVT15906	SCREW TE 6X 12 A2 UNI 5739	1
72	3FSVR00248	CLAMP	1
73	3VTDD01694	NUT M6 INOX	2
74	3LAFN07781	BRACKET	2
75	3VTVT13939	SCREW TE 6X20 UNI5739 INX	1

Frame



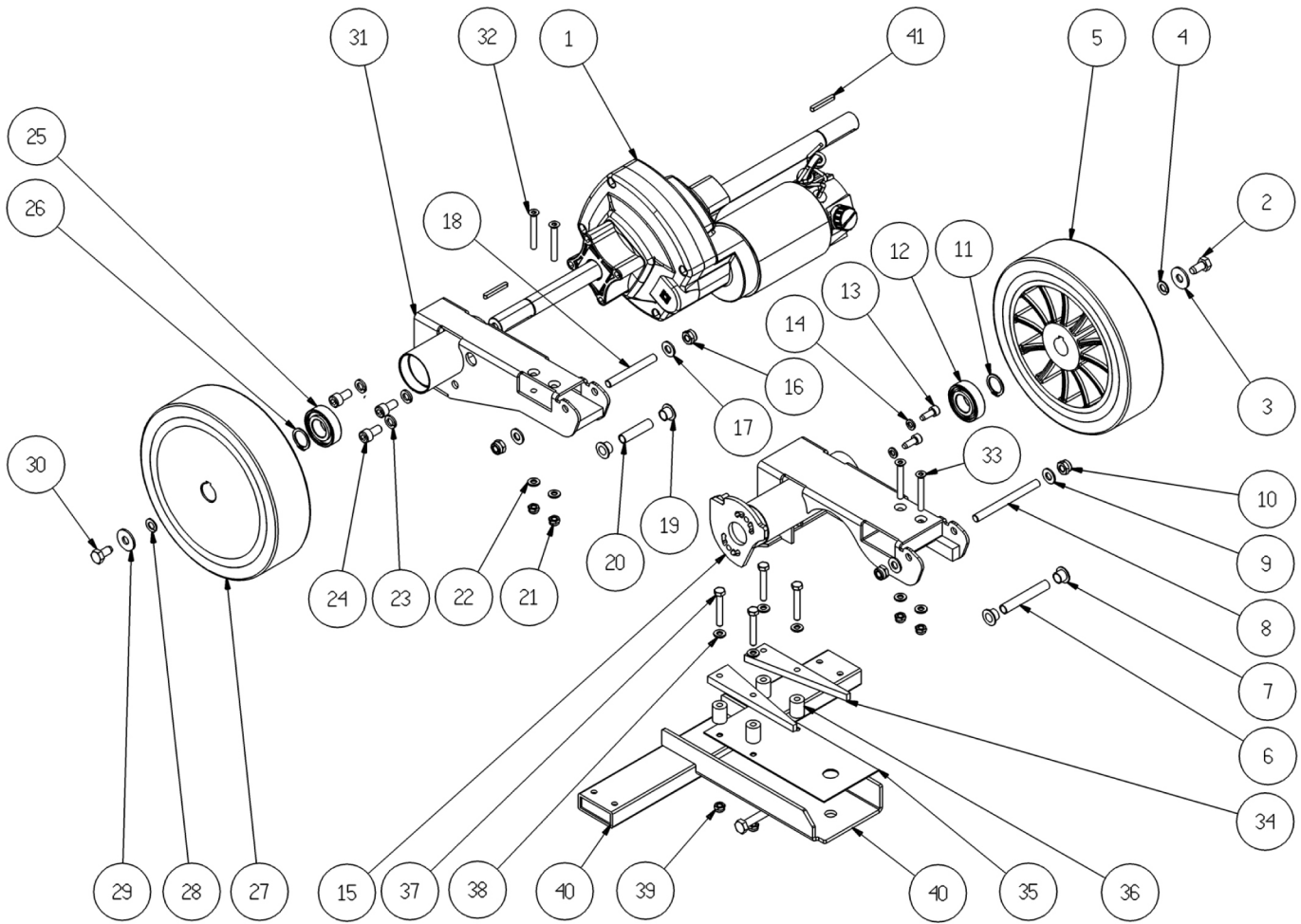
76	3RCVR00767	CONNECTOR	1
77	3MPVR05744	THICKNESS	1
78	3MPVR05745	THICKNESS	1
79	3VTRS15978	WASHER D.12X24 UNI 6592 INX	1
80	3VTRS13945	WASHER D. 6X18 INX UNI 6593	1
81	3FSVR00255	CLAMP	1
82	3FSVR00255	CLAMP	1
83	3FSVR00255	CLAMP	1
84	3TBFX48011	TUBE FLEX D.12X3 ARMORV.PVC TR	0,16
85	3FSVR00256	CLAMP	1
86	3TBBP00120	CARRYNG BAG	0,70
87	3VTVT63024	SCREW TCEI M 5X 25 ZC UNI 5931	1
88	3MPVR05280	CLIP M25	1
89	3VTRS13750	WASHER D. 5X14 INX	1
90	3VTDD01693	NUT M 5 INX	1
91	3FSVR00428	CLAMP D. 12-20	1
92	3RCVR00590	CONNECTOR 1/2 M RESCA 15	1
93	3GUGO00268	GASKET D.21 SP.3 GOMMA	1
94	3RCVR00353	CAP 1/2»G X ELETTRUV. ACL	1

Traction Motor



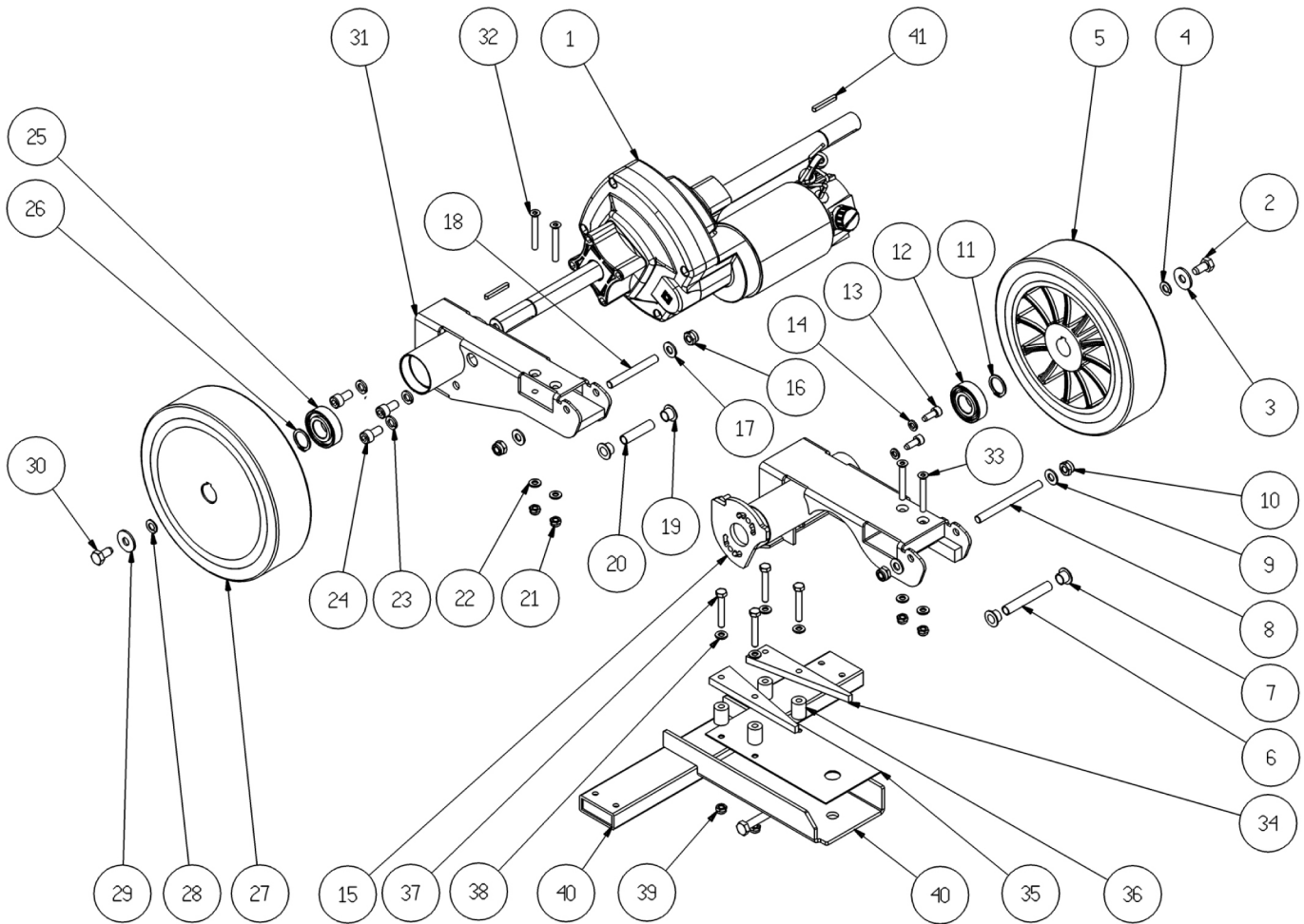
Ref.	Part N.	Description	Quantity	Validity From	Validity To
1	3MOCC00022	CARBON	2		
1	3MOCC00395	MOTOR	1		
2	3VTVT15916	SCREW - TE M 8X 16 UNI 5739 A2	1		
3	3VTRS16323	WASHER - D. 8 X32 UNI 6593 INX	1		
4	3VTRS15146	WASHER - D. 8 INX GRW UNI 1751	1		
5	3RTRT00524	WHEEL	1		
5	3RTRT00529	WHEEL	2		
6	3LAFN07565	SPACER	1		
7	3CUVR43254	BUSHING	2		
8	3LAFN07741	PIN	1		
9	3VTRS13947	WASHER - D. 8 INX UNI 6592	2		
10	3VTDD01695	NUT - M 8 INX	2		
11	3VTAE06193	CIRCLIP - D. 20 UNI 7435	1		
12	3CUVR19846	BALL BEARING	1		

Traction Motor



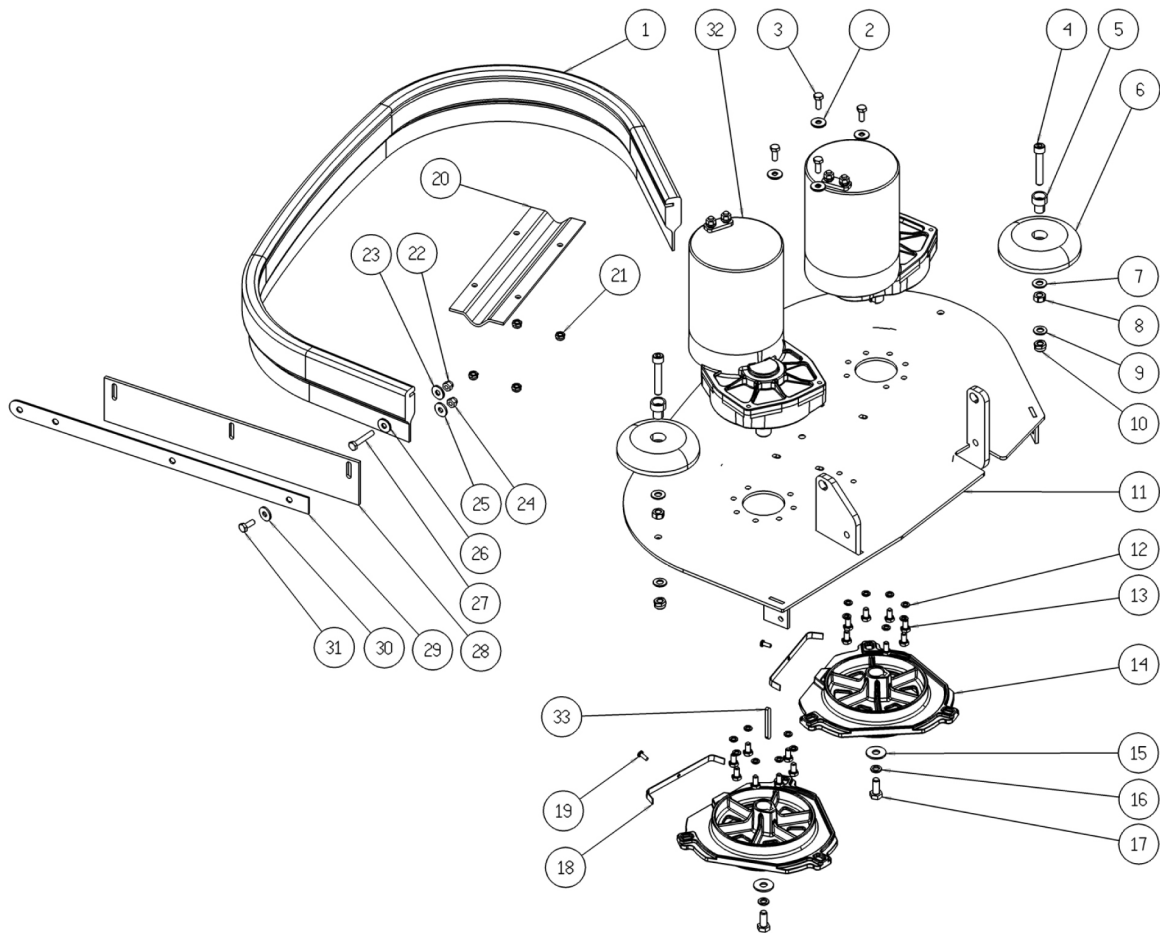
13	3VTVT00717	SCREW - TCEI M. 6-16	2
14	3VTRS15144	WASHER - D. 6 INX GRW UNI 1751	2
15	3LAFN06903	SUPPORT	1
16	3VTDD01695	NUT - M 8 INX	2
17	3VTRS13947	WASHER - D. 8 INX UNI 6592	2
18	3LAFN07742	PIN	1
19	3CUVR43254	BUSHING	2
20	3LAFN07566	SPACER	1
21	3VTDD01694	NUT - M 6 INX	4
22	3VTRS00245	WASHER - D.6 UNI 6592 INOX	4
23	3VTRS15146	WASHER - D. 8 INX GRW UNI 1751	3
24	3VTVT00876	SCREW - TCEI M.8-16	3
25	3CUVR19846	BALL BEARING	1
26	3VTAE06193	CIRCLIP - D. 20 UNI 7435	1
27	3RTRT00524	WHEEL	1

Traction Motor



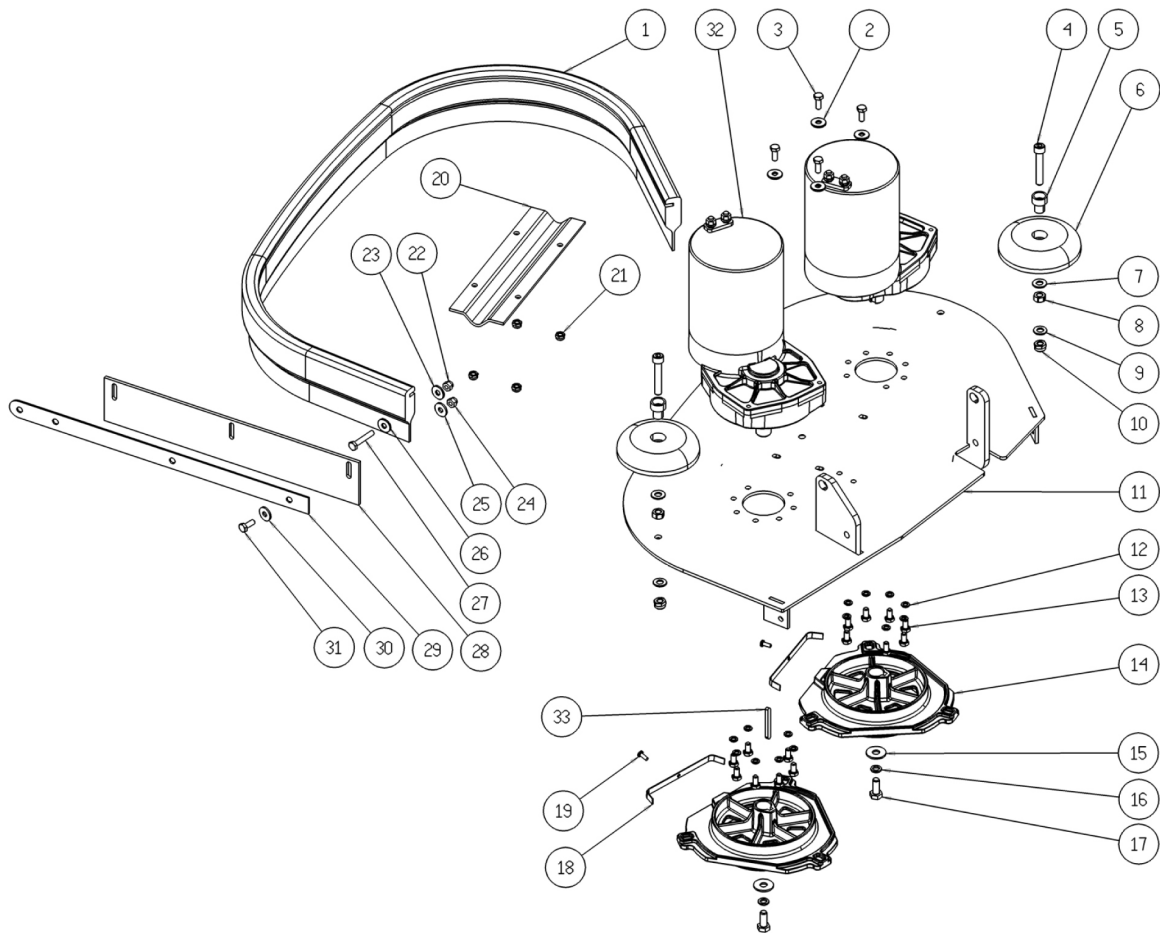
28	3VTRS15146	WASHER - D. 8 INX GRW UNI 1751	1
29	3VTRS16323	WASHER - D. 8 X32 UNI 6593 INX	1
30	3VTVT15916	SCREW - TE M 8X 16 UNI 5739 A2	1
31	3LAFN06904	SUPPORT	1
32	3VTVT26818	SCREW - M6x45 TSPEI UNI5933	2
33	3VTVT29523	SCREW - M 6X 35 TSPEI UNI 5933	2
34	3MPVR05682	GUIDE	2
35	3MPVR05683	PLATE	1
36	3MPVR05687	SPACER	4
37	3VTVT01683	SCREW - TE 6X40	4
38	3VTRS00245	WASHER - D.6 UNI 6592 INOX	4
39	3VTDD01694	NUT - M 6 INX	4
40	3LAFN07456	SUPPORT	1
41	3VTVR33668	KEY - 6x 6x40 UNI 6604A	2

Head



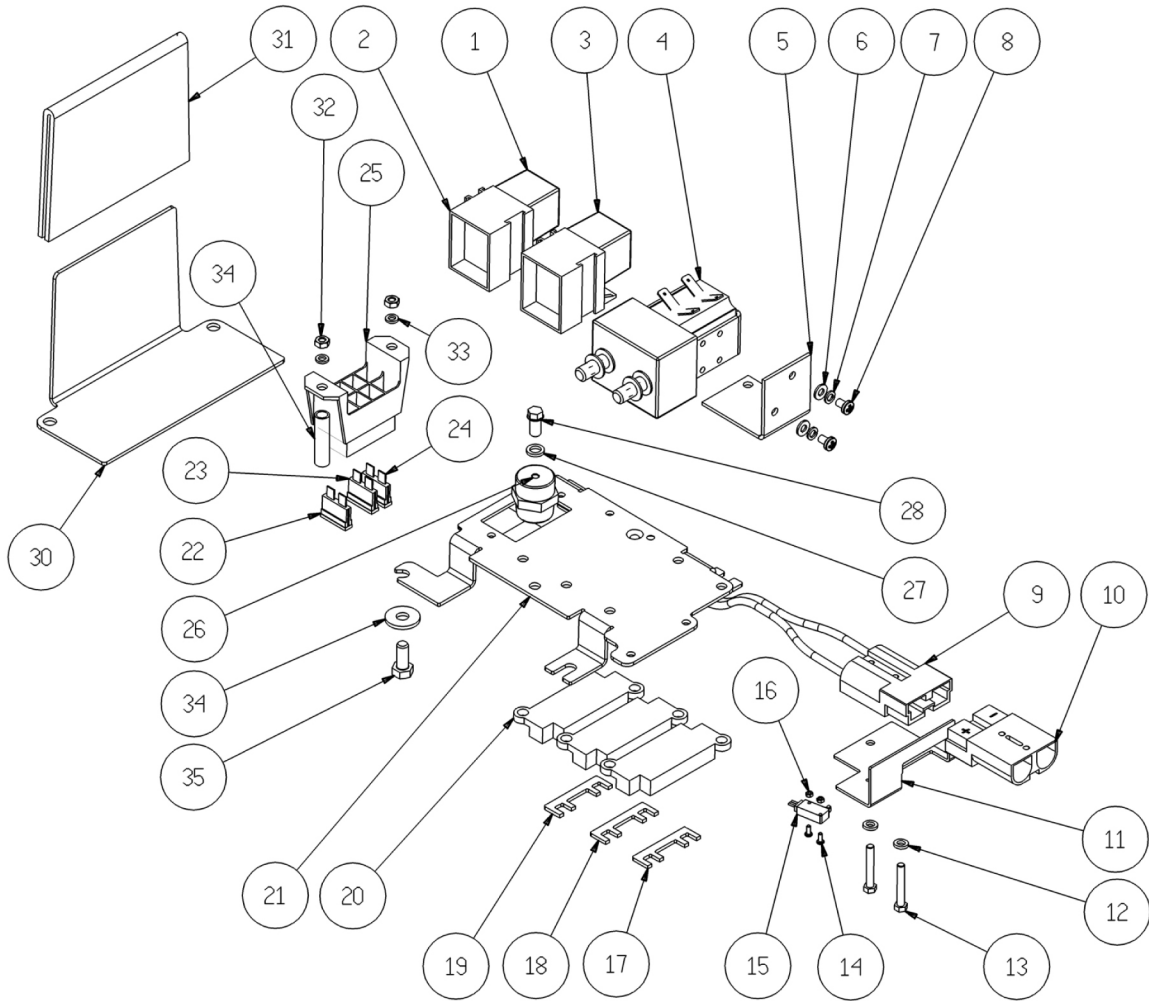
Ref.	Part N.	Description	Quantity	Validity From	Validity To
1	3MPVR05231	BUMPER	1		
2	3VTRS13945	WASHER - D. 6X18 INX UNI 6593	4		
3	3VTVT15143	SCREW - TE 6X16 UNI5739	4		
4	3VTVT00775	SCREW - TCEI M 8X40 ZC.BK UNI5931	2		
5	3LAFN03915	BUSHING	2		
6	3MPVR05290	ROLLER	2		
7	3VTRS13947	WASHER - D. 8 INX UNI 6592	2		
8	3VTDD15521	NUT - M 8 INX A2 UNI 5588	2		
9	3VTRS13947	WASHER - D. 8 INX UNI 6592	2		
10	3VTDD01695	NUT - M 8 INX	2		
11	3LAFN06726	PLATE	1		
12	3VTRS15144	WASHER - D. 6 INX GRW UNI 1751	14		
13	3VTVT15906	SCREW - TE 6X 12 A2 UNI 5739	14		
14	3MFVR00212	DRIVE DISK	2		
15	3VTRS13946	WASHER - D. 8 X24 INX UNI 6593	2		
16	3VTRS15146	WASHER - D. 8 INX GRW UNI 1751	2		
17	3VTVT13938	SCREW - TE 8X20 UNI5739 INX	2		

Head



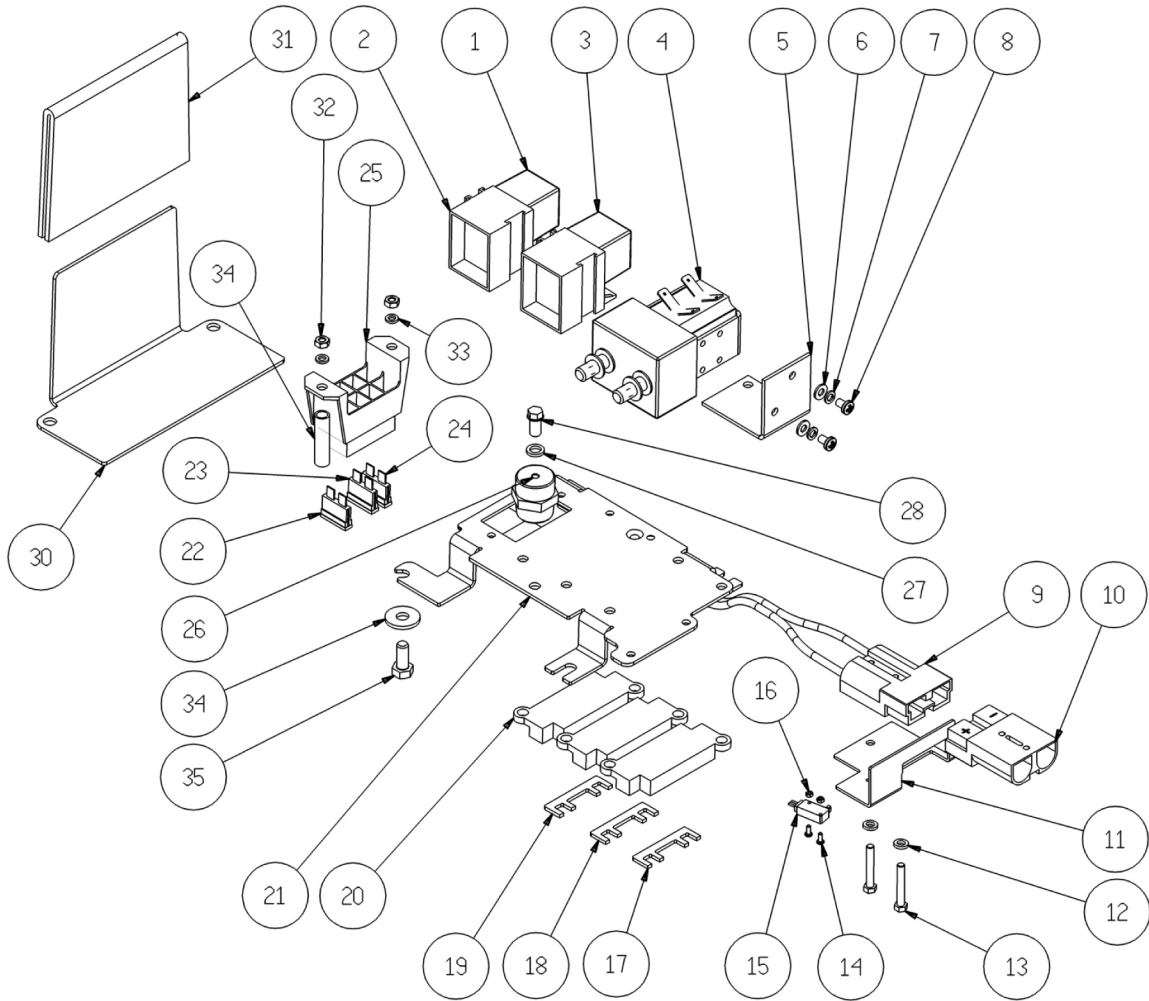
18	3MLML00328	SPRING	2
19	3VTVT21887	SCREW - TCB-TC 4X10 8112	2
20	3LAFN07235	DISTRIBUTOR	1
21	3VTDD01694	NUT - M 6 INX	4
22	3VTDD01694	NUT - M 6 INX	7
23	3VTRS13945	WASHER - D. 6X18 INX UNI 6593	5
24	3VTDD00175	NUT - M.6	8
25	3MPVR35582	RUBBER LAV.	8
26	3VTRS13945	WASHER - D. 6X18 INX UNI 6593	5
27	3VTVT00392	SCREW - M6x35 UNI5739 inox	5
28	3MPVR04746	FLAP - 355X63 sp.4	2
29	3MPVR05207	SHEET METAL	2
30	3VTRS13945	WASHER - D. 6X18 INX UNI 6593	8
31	3VTVT15143	SCREW - TE 6X16 UNI5739	8
32	3MOCC00328	MOTOR	2
32	3MOCC00344	BRUSH	4
33	3VTVR16617	KEY - 6X 6X30 UNI 6604	2

Elec Install



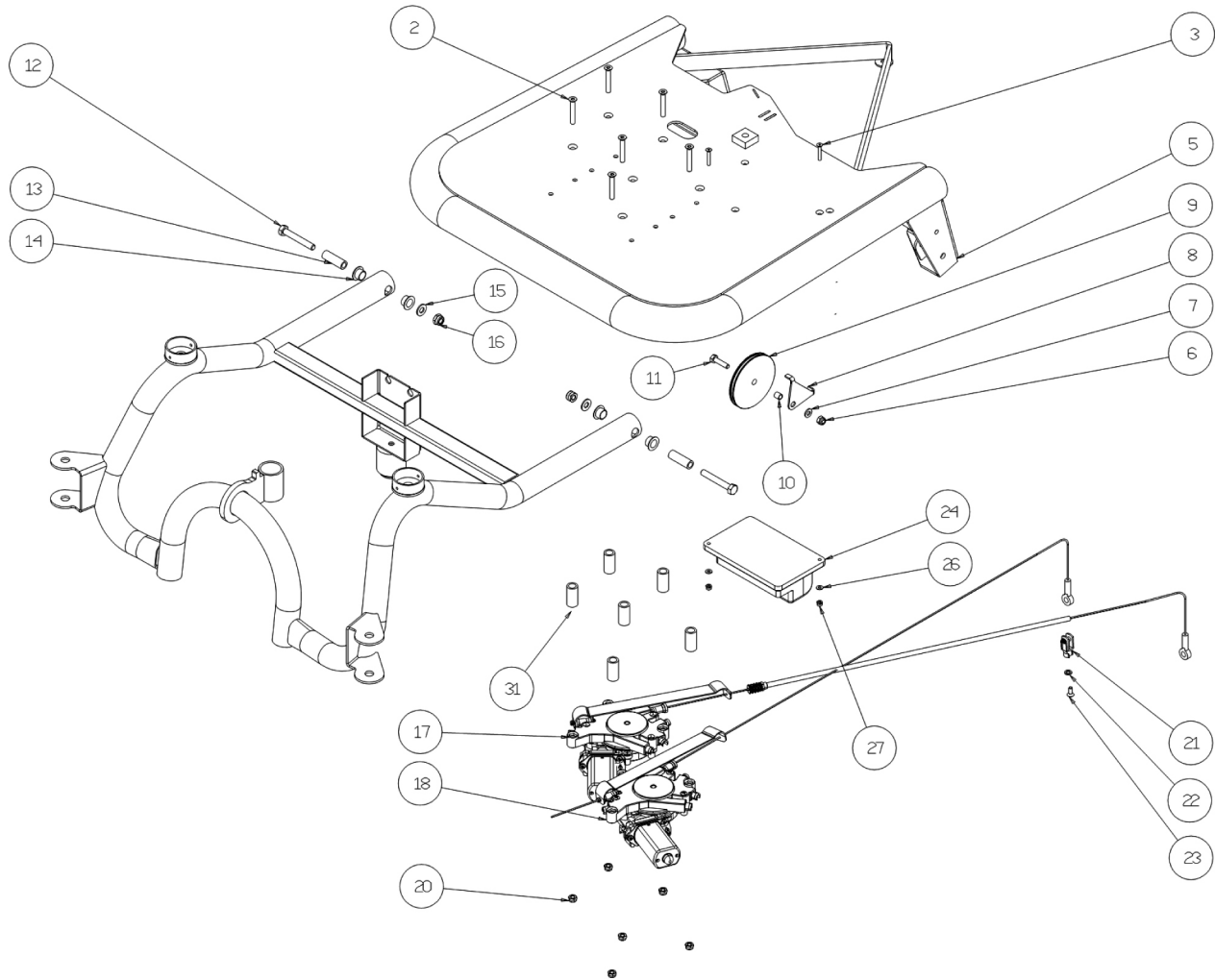
Ref.	Part N.	Description	Quantity	Validity From	Validity To
1	3MERL00006	SWITCH RELAY	1		
2	3METT00053	BLOCK	2		
3	3MERL00006	SWITCH RELAY	1		
4	3METT00085	CONTACTOR - 100A	1		
5	3LAFN07746	BRACKET	1		
9	3MEVR01707	CONNECTOR	1		
10	3MEVR01079	PLUG - M CB50 A 600V RD.	1		
11	3LAFN06409	SUPPORT	1		
12	3VTRS15913	WASHER - D. 4 GROVER A2 UNI1751	2		
13	3VTVT00814	SCREW - TE M.4-25	2		
14	3VTVT00671	SCREW - TC- M.2-16	2		
15	3MECI00334	MICROSWITCH	1		
16	3VTDD08634	NUT - M2	2		
17	3MEVR00604	FUSE	1		

Elec Install



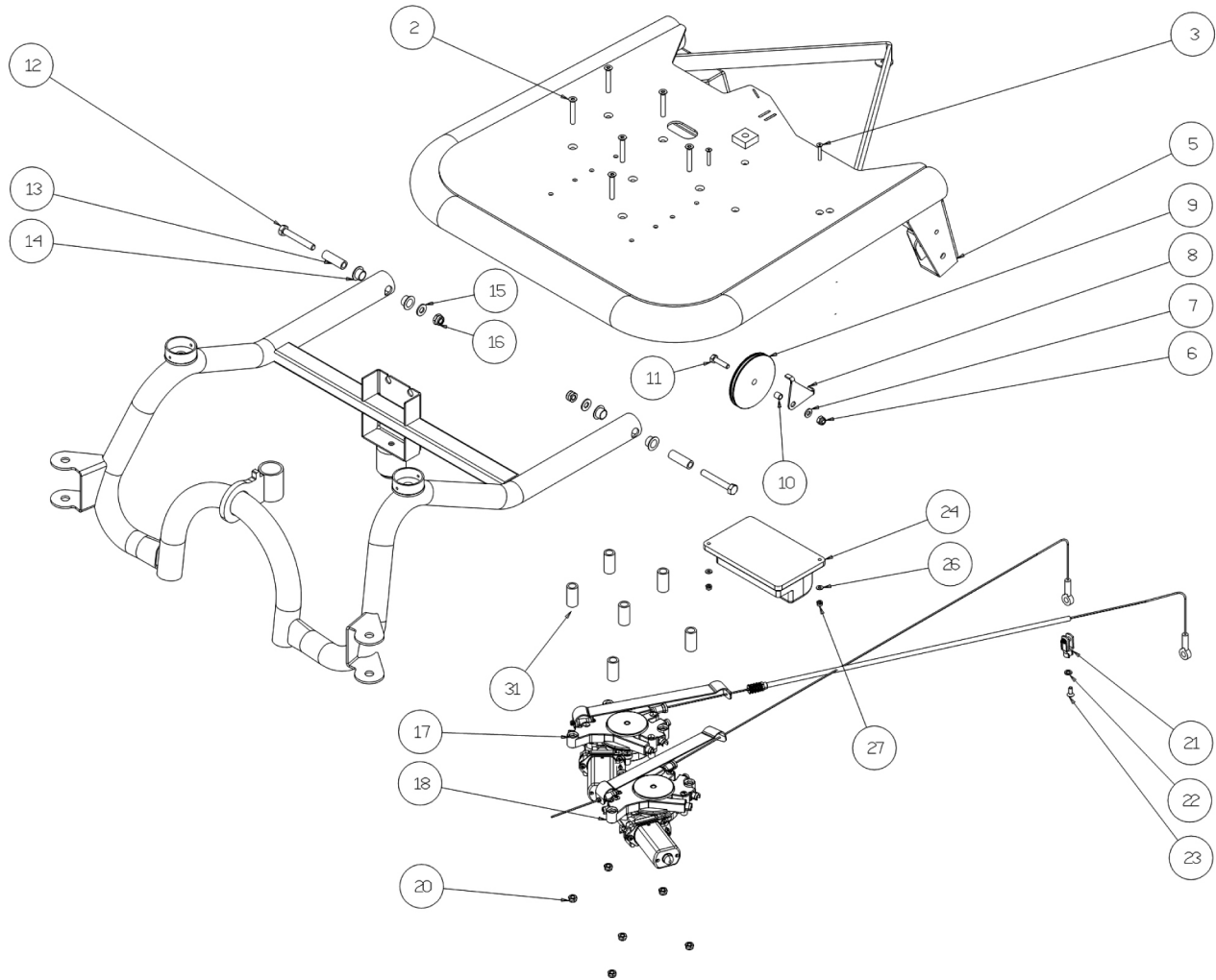
18	3MEVR02887	FUSE - 40A NST.	1
19	3MEVR00604	FUSE	1
20	3MEVR01332	FUSE HOLDER	3
21	3LAFN07460	SUPPORT	1
22	3MEVR01380	FUSE	1
23	3MEVR01428	FUSE	1
24	3MEVR01134	CARRYNG BAG	1
25	3MEVR00030	FUSE HOLDER	1
26	3MEVR44054	INSULATOR - M6 20-CH17	1
30	3LAFN07803	PLATE	1
31	3GUVR00295	GASKET	1
32	3VTDD00147	NUT - M 4 INX U.5588	2
33	3VTRS15913	WASHER - D. 4 GROVER A2 UNI1751	2
34	3VTRS13750	WASHER - D. 5X14 INX	4
35	3VTVT01300	SCREW - TE M5X12 INOX	4

Actuator



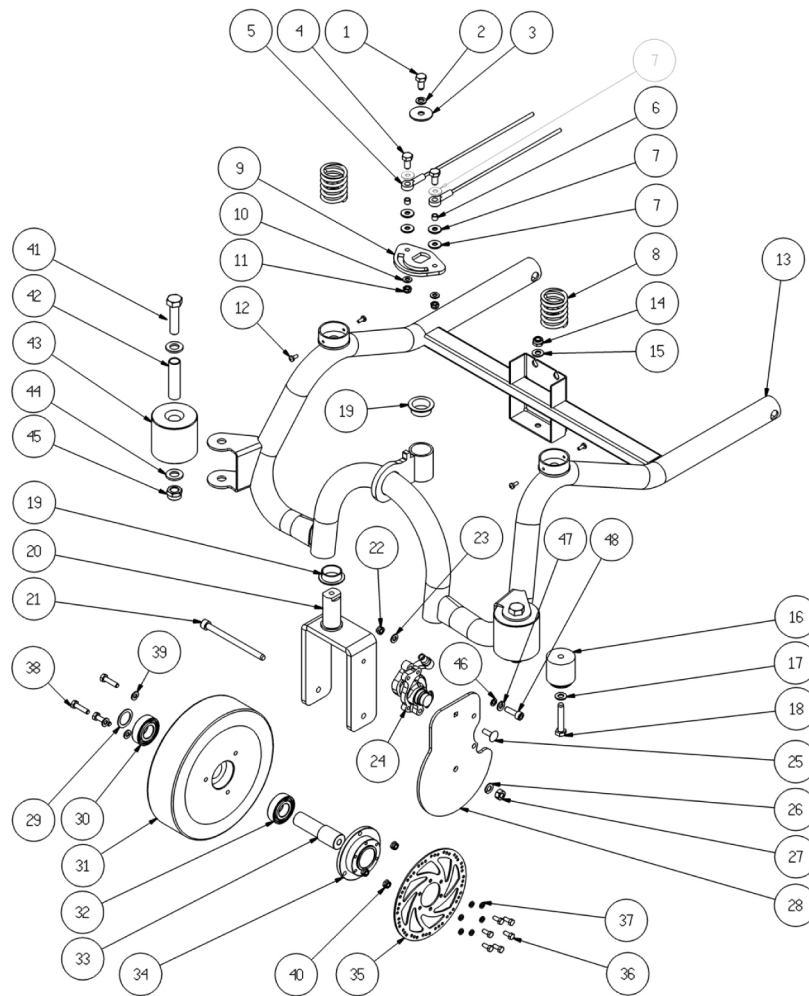
Ref.	Part N.	Description	Quantity	Validity From	Validity To
2	3VTVT01689	SCREW - TSEI 6X55	6		
3	3VTVT00877	SCREW - TSPEI UNI5933	2		
5	3LAFN07857	PLANE	1		
6	3VTDD01694	NUT - M 6 INX	1		
7	3VTRS00245	WASHER - D.6 UNI 6592 INOX	1		
8	3LAFN07572	SHEET METAL	1		
9	3MTPL00200	PULLEY	1		
10	3LAFN07571	SPACER	1		
11	3VTVT15141	SCREW - TE M 6X 25 UNI 5739 INX	1		
12	3VTVT00728	SCREW - TE M. 8-55	2		
13	3LAFN06926	PIN	2		
14	3CUVR00130	BEARING	4		

Actuator



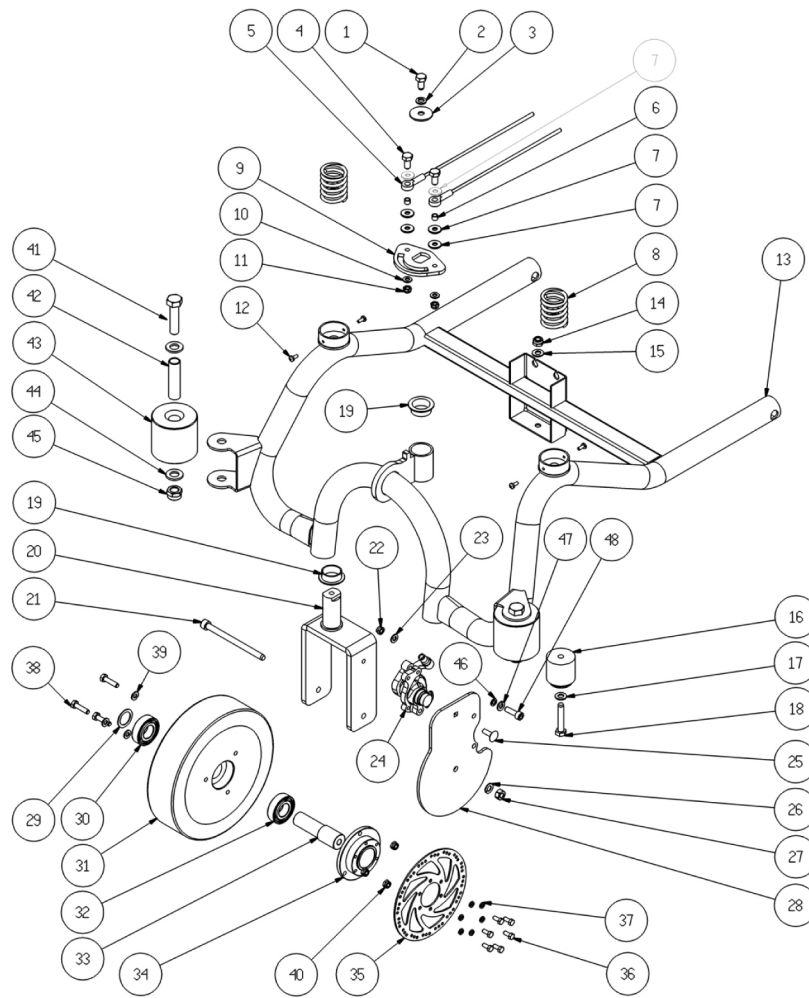
15	3VTRS13947	WASHER - D. 8 INX UNI 6592	2
16	3VTDD01695	NUT - M 8 INX	2
17	3MOCC00365	ACTUATOR (SQUEEGEE)	1
18	3MOCC00364	ACTUATOR (DECK)	1
20	3VTDD01694	NUT - M 6 INX	6
21	3CMCV00001	FORK - UNI 1676 M8X16	1
21	3CMCV75718	CLIP - UNI 1676 M8	1
22	3VTRS15146	WASHER - D. 8 INX GRW UNI 1751	1
23	3VTVT13938	SCREW - TE 8X20 UNI5739 INX	1
24	3MECE00496	BOARD	1
26	3VTRS00515	WASHER - D. 4 INX	2
27	3VTDD00055	NUT - M 4 ATB A2	2
31	3MPVR05820	SPACER	6

Fore Wheel



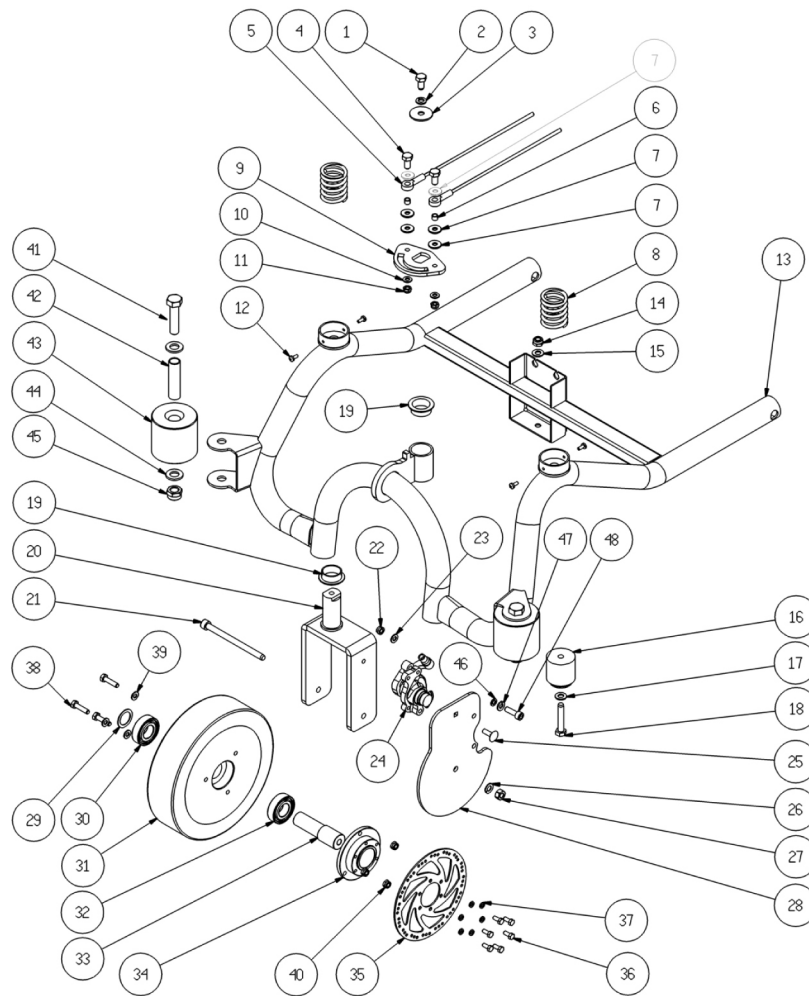
Ref.	Part N.	Description	Quantity	Validity From	Validity To
1	3VTVT15916	SCREW - TE M 8X 16 UNI 5739 A2	1		
2	3VTRS15146	WASHER - D. 8 INX GRW UNI 1751	1		
3	3VTRS16323	WASHER - D. 8 X32 UNI 6593 INX	1		
4	3VTVT15141	SCREW - TE M 6X 25 UNI 5739 INX	2		
5	3CMCV00446	CABLE	2		
6	3LAFN07876	SPACER	2		
7	3VTRS00245	WASHER - D.6 UNI 6592 INOX	6		
8	3MLML00324	SPRING	2		
9	3LAFN06912	PLATE	1		
10	3VTRS00245	WASHER - D.6 UNI 6592 INOX	2		
11	3VTDD01694	NUT - M 6 INX	2		
12	3VTVT01004	SCREW - TC+ M4 X 10	4		
13	3LAFN07858	TUBE	1		
14	3VTDD01695	NUT - M 8 INX	1		
15	3VTRS13947	WASHER - D. 8 INX UNI 6592	1		
16	3ABGO00017	PLUG - D.40x50	1		

Fore Wheel



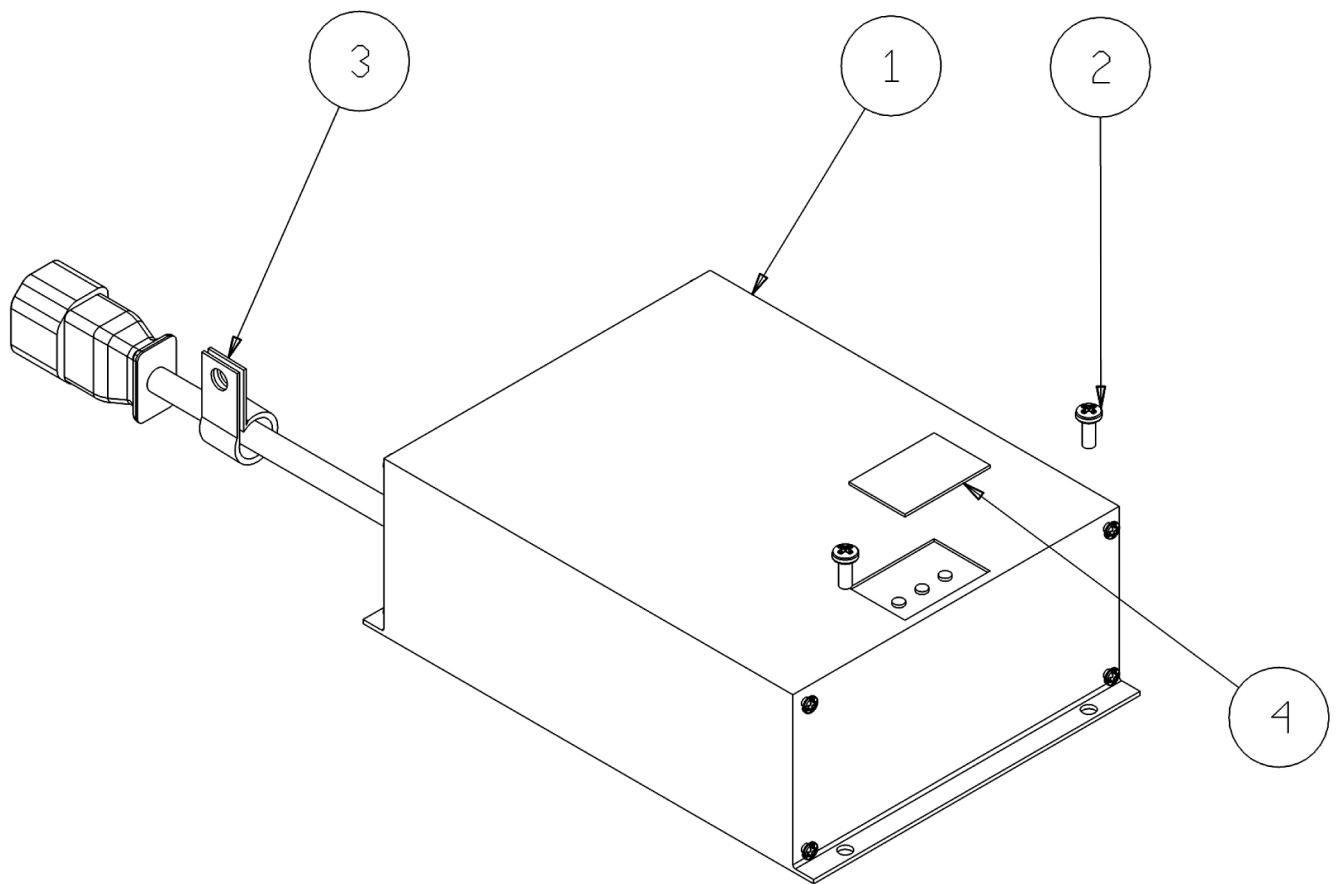
17	3VTRS13947	WASHER - D. 8 INX UNI 6592	1
18	3VTVT15917	SCREW - TE M 8X50 INOX A2 UNI	1
19	3MPVR05408	BUSHING	2
20	3LAFN06913	BRACKET	1
21	3VTVT67560	SCREW - TCEI M8X110 INOX AISI 304	1
22	3VTDD01694	NUT - M 6 INX	1
23	3VTRS00245	WASHER - D.6 UNI 6592 INOX	1
24	3LAFN07569	BRAKE	1
25	3VTVT00745	SCREW - TTQST M 6X 20 UNI5732 IX	1
26	3VTRS15146	WASHER - D. 8 INX GRW UNI 1751	1
27	3VTDD15521	NUT - M 8 INX A2 UNI 5588	1
28	3LAFN07567	PLATE	1
29	3VTRS00032	THICKNESS	1
30	3CUVR19846	BALL BEARING 6004 2RS1	1
31	3RTRT00530	WHEEL	1
32	3CUVR19846	BALL BEARING	1

Fore Wheel



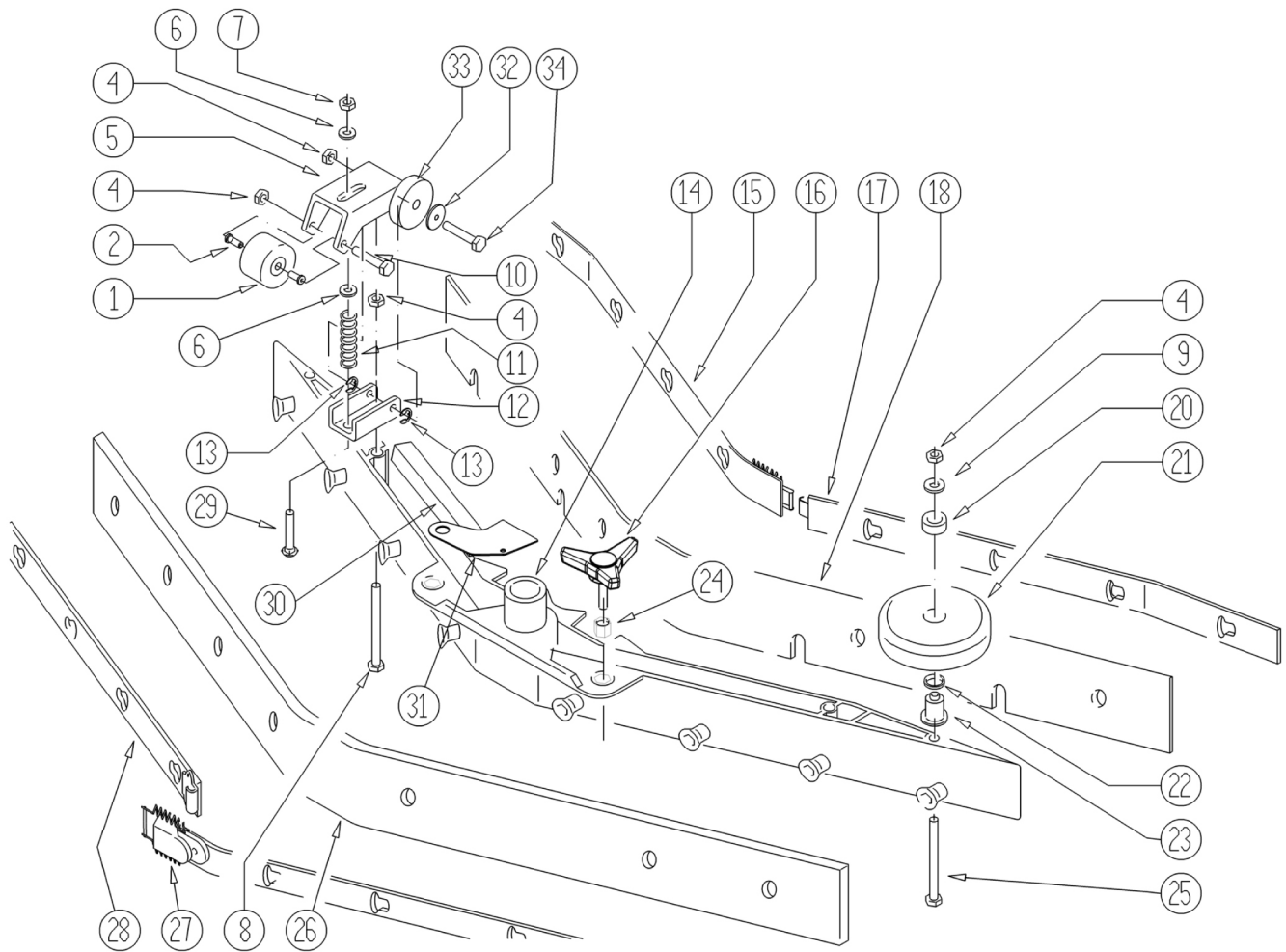
33	3LAFN06914	PIN	1
34	3LAFN07570	SPACER	1
35	3LAFN07569	BRAKE	1
36	3VTVT01300	SCREW - TE M5X12 INOX	6
37	3VTRS15908	WASHER - D. 5 INX GRW UNI 1751	6
38	3VTVT00714	CARRYNG BAG	3
39	3VTRS00245	WASHER - D.6 UNI 6592 INOX	3
40	3VTDD01694	NUT - M 6 INX	3
41	3VTVT01686	SCREW - TE M12X90	2
42	3LAFN08803	SPACER	2
43	3MPVR05607	ROLLER	2
44	3VTRS15978	WASHER - D.12X24 UNI 6592 INX	2
45	3VTDD00176	NUT - M.12 INOX A2 BRASS	2
46	3VTRS00245	WASHER - D.6 UNI 6592 INOX	2
47	3VTRS15144	WASHER - D. 6 INX GRW UNI 1751	2
48	3VTVT00717	SCREW - TCEI M. 6-16	2

Battery-Charger



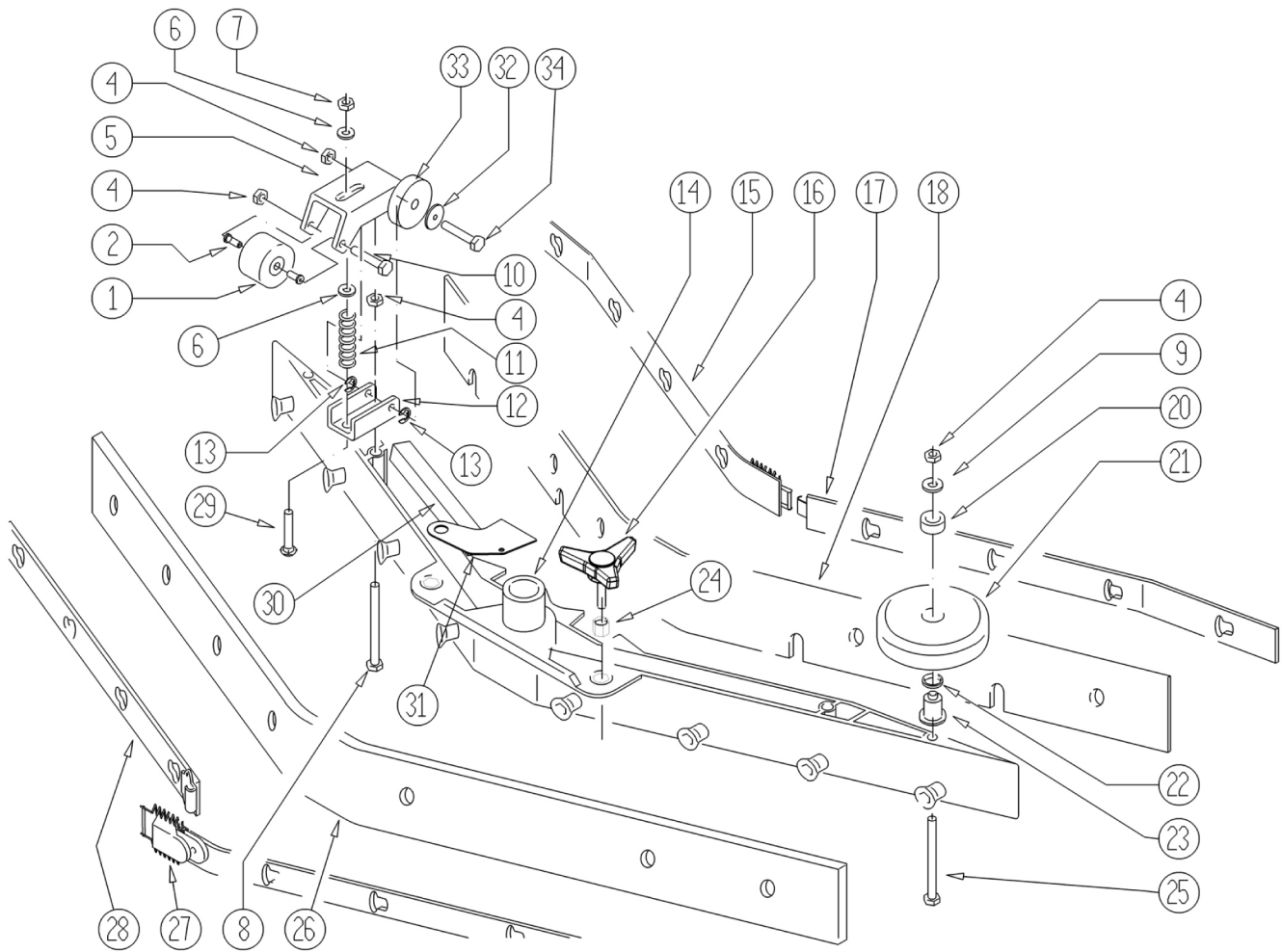
Ref.	Part N.	Description	Quantity	Validity From	Validity To
1	3BACA00148	BATTERY-CHARGERCBHD2 24V 20A	1		
2	3VTVT01004	SCREW TC+ M4 X 10 TRILOBATA	4		
3	3FSVR00043	CLAMP d.16	1		
4	3MPVR05793	COVER	1		

Squeegee



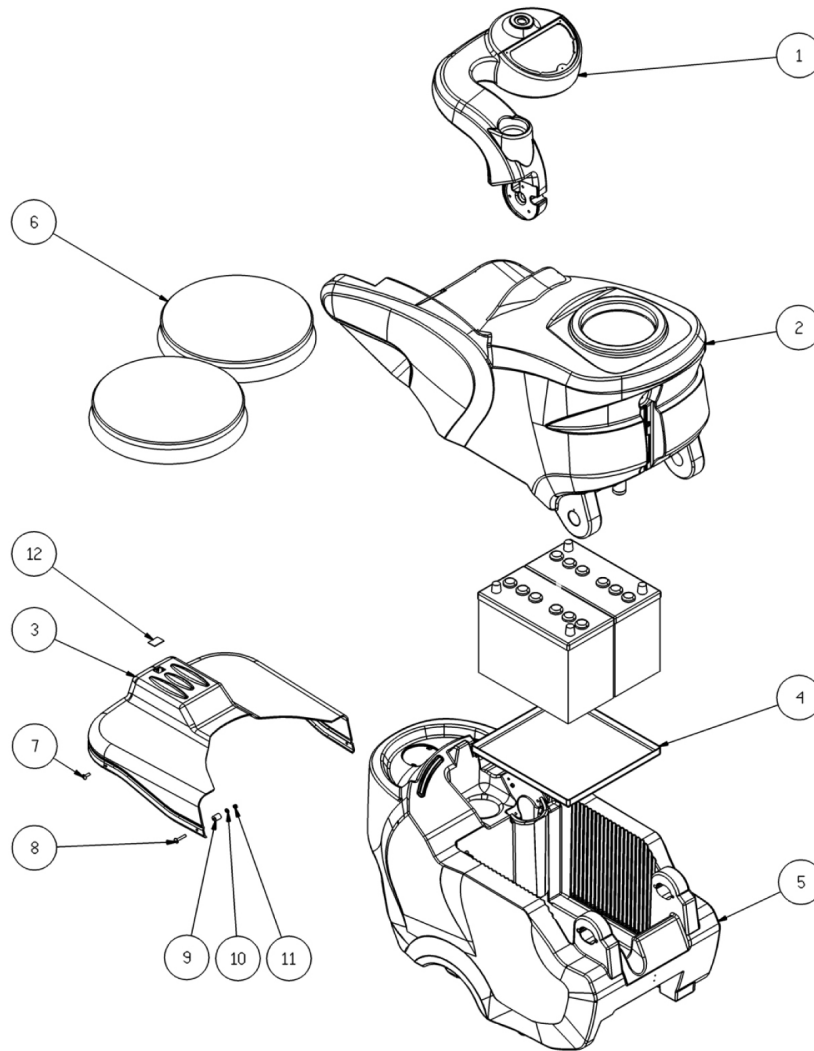
Ref.	Part N.	Description	Quantity	Validity From	Validity To
1	3RTRT00379	WHEEL	2		
2	3LAFN40138	SPACER	4		
4	3VTDD01694	NUT - M 6 INX	8		
5	3LAFN05559	SUPPORT	2		
6	3VTRS13947	WASHER - D. 8 INX UNI 6592	4		
7	3VTDD01695	NUT - M 8 INX	2		
8	3VTVT15142	SCREW - TE M 6x45 INOX	2		
9	3VTRS00245	WASHER - D.6 UNI 6592 INOX	2		
10	3VTVT15515	SCREW - TE M 6X 50 INOX A2	4		
11	3MLML49422	SPRING - D.15X 45 X1	2		
12	3LAFN51069	BRACKET - SQUEEGEE	2		
13	3VTAE45707	CIRCLIP - D. 6 UNI 7434 INOX	4		
14	3MFVR00141	BODY SQUEEGEE - S	1		
15	3LAFN51045	LAMINATION BLOCK - S	1		
16	3MPVR05265	KNOB - 8X25	2		
17	3LAFN51044	LAMINATION BLOCK - S	1		

Squeegee

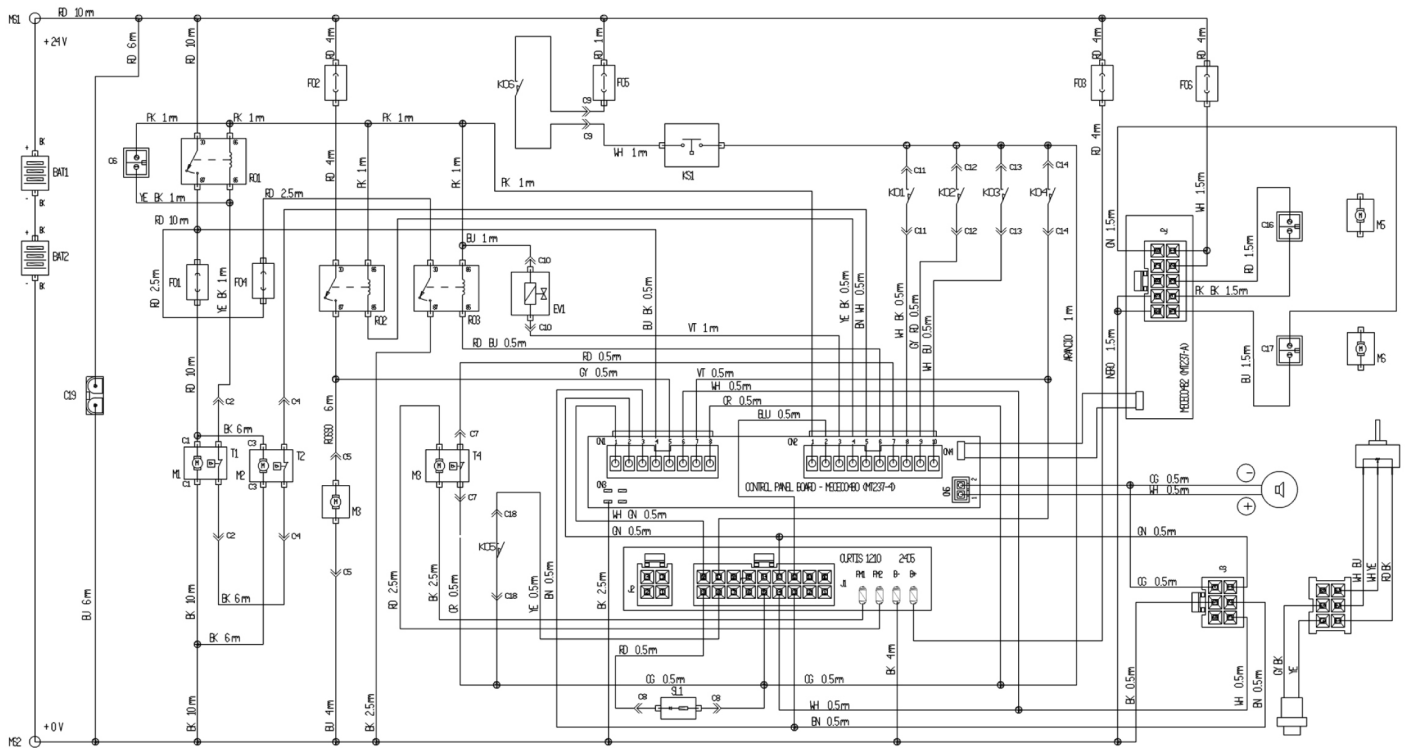


18	3MPVR45194	RUBBER BLADE	1
20	3MPVR49229	BUSHING	2
21	3MPVR05290	ROLLER	2
22	3GUGO00164	GASKET	2
23	3LAFN04100	SPACER	2
24	3VTVR00022	INSERT	2
25	3VTVT17342	SCREW - TE M 6X 60 UNI 5739 INX	2
26	3MPVR45195	RUBBER BLADE	1
27	3LAFN49284	BLADE HOLDER - S	1
28	3LAFN49285	BLADE HOLDER - S	1
29	3VTVT01304	SCREW - M 8X 40 TTQST UNI 5731	2
30	3LAFN51039	WEIGHT	2
31	3LAFN07805	SHEET METAL	2
32	3VTRS16937	WASHER - 6x24 INOX UNI 6593	2
33	3MPVR04729	WASHER - RUBBER 8X40 40SH	2
34	3VTVT17342	SCREW - TE M 6X 60 UNI 5739 INX	2

Tank



Ref.	Part N.	Description	Quantity	Validity From	Validity To
1	3MPVR05784	ARM CT70 RIDER	1		
2	3MPVR05783	TANK RECUPERO CT70 RIDER ECS	1		
3	3MPVR05780	COVER	1		
4	3LAFN35588	BATTERY SUPPORTLAV. BT	1		
5	3MPVR05559	TANK SOLUZIONE CT75	1		
6	3SPPV01473	BRUSH NYLON 0.8 D.340 BT 7000	2		
7	3VTVT00858	SCREW	2		
8	3VTVT01370	SCREW M6X35	2		
9	3MPVR05687	SPACER	2		
10	3VTRS00245	WASHER D.6 UNI 6592 INOX	2		
11	3VTDD01694	NUT M 6 INX	2		
12	3MPVR05793	COVER	1		



CONNECTORS: VIEW FROM WIRE SIDE

BK	BLACK	NEED
RD	RED	NEEDONE
BK	BLACK	NEED
YE	YELLOW	NEEDPHONE
GN	GREEN	NEED
BU	BLUE	NEED
VT	VIOLET	NEED
WH	WHITE	NEED
GN	GREEN	NEED
BK	BLACK	NEED
AU	AZURE	NEED

Ref.	Part N.	Description	Quantity	Validity From	Validity To
EV1	3MEEV00018	SOLENOID VALVE	1		
F01	3MEVR00604	FUSE	1		
F02	3MEVR02887	FUSE - 40A	1		
F03	3MEVR00604	FUSE	1		
F04	3MEVR02887	FUSE - 40A	1		
F05	3MEVR01428	FUSE	1		
F06	3MEVR01134	CARRYNG BAG	1		
K01	3MEVR00148	DASHBOARD	1		
K02	3MECI00516	SENSOR	1		
K03	3MECI00516	SENSOR	1		
K04	3MECI30499	SWITCH - 10A - 250VAC	1		

Elec 2

COMPONENTS		
F01	FUSE- BRUSH MOTORS (80 A)	FUSIBILE SPAZZOLE POTENZA (80 A)
F02	FUSE-VACUUM MOTOR (<D A)	FUSIBILE ASPIRATORE POTENZA (<D A)
F03	FUSE-CURTIS TRACTION MOTORS (80 A)	FUSIBILE CURTIS MOTORE TRAZIONE (80 A)
F04	FUSE-BRUSHES RELEASE (<D A)	FUSIBILE SGANCIO SPAZZOLE (<D A)
F05	FUSE CURTIS/CONTROL PANEL (2 A)	FUSIBILE CURTIS/PLACIA (2 A)
F06	FUSE ACTUATORS (20 A)	FUSIBILE ATTUATORI (20 A)
R01	RELAY- BRUSH MOTORS	TELETRUOTORE SPAZZOLE
R02	RELAY- VACUUM MOTOR	RELE' ASPIRATORE
R03	RELAY- TRACTION MOTOR	RELE' MOTORE TRAZIONE
R04	RELAY- BRUSH RELEASE	RELE' SGANCIO SPAZZOLE
EV1	ELECTRO-VALVE	ELETTRONAVICOLA ACQUA
K51	GENERAL KEY	CHIAVE AVVIAMENTO
K01	SWITCH- SEAT	MIURO INTERRUITTORE SEDILE
K02	SWITCH- RECOVERY TANK LEVEL (MAX)	LIVELLO TRUFFO PIENO (N.O.)
K03	SWITCH- SOLUTION TANK LEVEL (MIN)	LIVELLO MINIMO SERBATOIO (N.O.)
K04	SWITCH- FORWARD / REWARD	INTERRUPTORE MARCIA AVANTI INDIETRO
K05	SWITCH STEERING	SENEORE STERZO
K06	SWITCH- BATTERY RECHARGE SAFETY	MIURO SICUREZZA RICARICA BATTERIE
M1	MOTOR- BRUSH 1	MOTORE SPAZZOLA -1
M2	MOTOR- BRUSH 2	MOTORE SPAZZOLA -2
M3	MOTOR- VACUUM	MOTORE ASPIRATORE
M4	MOTOR- TRACTION	MOTORE TRAZIONE
M5	BRUSH ACTUATORS	ATTUATORE SPAZZOLE
M6	SQUEEZE ACTUATORS	ATTUATORE SQUEEZE
T1	THERMIC SWITCH- BRUSH MOTOR 1	TERMICA MOTORE SPAZZOLA -1
T2	THERMIC SWITCH- BRUSH MOTOR 2	TERMICA MOTORE SPAZZOLA -2
T4	THERMIC SWITCH- TRACTION MOTOR	TERMICA MOTORE TRAZIONE
J1	CONN. CONTROLLO CURTIS	CONN. CONTROLLO CURTIS
J2	CONN. SCHEDA ATTUATORI	CONN. SCHEDA ATTUATORI
J3	CONN. ACCELERATORE + CLACSON	CONN. ACCELERATORE + CLACSON
PM1	CONN.FASTON MOTORE 1 CURTIS	CONN.FASTON MOTORE 1 CURTIS
PM2	CONN.FASTON MOTORE 2 CURTIS	CONN.FASTON MOTORE 2 CURTIS
B+	CONN.FASTON POSITIVO BATTERIA CURTIS	CONN.FASTON POSITIVO BATTERIA CURTIS
B-	CONN.FASTON NEGATIVO BATTERIA CURTIS	CONN.FASTON NEGATIVO BATTERIA CURTIS
SL1	STATUS LED CURTIS	STATUS LED CURTIS

COMPONENTS		
M51	CONNECTOR- BATTERY POSITIVE	MORSETTO BATTERIA POSITIVO
M52	CONNECTOR- BATTERY NEGATIVE	MORSETTO BATTERIA NEGATIVO
C1	CONNECTOR- BRUSH MOTOR 1	CONN. MOTORE SPAZZOLA -1
C2	CONNECTOR- THERMIC SW. BRUSH MOTOR 1	CONN. TERMICA MOTORE SPAZZOLA -1
C3	CONNECTOR- BRUSH MOTOR 2	CONN. MOTORE SPAZZOLA -2
C4	CONNECTOR- THERMIC SW. BRUSH MOTOR 2	CONN. TERMICA MOTORE SPAZZOLA -2
C5	CONNECTOR- VACUUM MOTOR	CONN. MOTORE ASPIRATORE
C6	CONNECTOR- "OHM COGE" ACCESSORY	CONN. OHM COGS
C7	CONNECTOR- THERMIC SWITCH+TRACTION MOTOR	CONN. TERMICA MOTORE TRAZIONE
C8	CONNECTOR- PRESSURE BOARD	CONN. POSITIVO SCHEDA PRESSIONE
C9	CONNECTOR- BATTERY RECHARGE SAFETY	CONN.SICUREZZA RICARICA BATTERIE
C10	CONNECTOR- BOARD/ ELECTROVALVE	CONN. E.V. HED DA SCHEDA ELETTRONICA
C11	CONNECTOR- HND LEVER	CONN. LEVA TRAZIONE
C12	CONNECTOR- RECOVERY TANK LEVEL (MAX)	CONN. LIVELLO TRUFFO PIENO
C13	CONNECTOR- SOLUTION TANK LEVEL (MIN)	CONN. LIVELLO MINIMO
C14	CONNECTOR- FORWARD / REWARD	CONN. SELETORE MARCIA
C15	CONNECTOR- EXTERNAL BATT.CHARGER	CONN. MIURO C.B. ESTERNO
C16	CONNECTOR- TRACTION MOTOR	CONN. MOTORE TRAZIONE
C17	CONNECTOR-SQUEEZE ACTUATORS	CONN. ATTUATORE SQUEEZE
C18	SWITCH STEERING	SENEORE STERZO
C19	CONNECTOR- BATTERY RECHARGE	SPINA ANDERSON RICARICA BATTERIE
O1	CONNECTOR- CONTROL PANEL BOARD	CONN. 1 SCHEDA PLACIA
O2	CONNECTOR- CONTROL PANEL BOARD	CONN. 2 SCHEDA PLACIA
O3	CONNECTOR- CONTROL PANEL BOARD	CONN. 3 SCHEDA PLACIA
O4	CONNECTOR- CONTROL PANEL BOARD	CONN. 4 SCHEDA PLACIA

Ref.	Part N.	Description	Quantity	Validity From	Validity To
EV1	3MEEV00018	SOLENOID VALVE	1		
F01	3MEVR00604	FUSE	1		
F02	3MEVR02887	FUSE - 40A	1		
F03	3MEVR00604	FUSE	1		
F04	3MEVR02887	FUSE - 40A	1		
F05	3MEVR01428	FUSE	1		
F06	3MEVR01134	CARRYNG BAG	1		
K01	3MEVR00148	DASHBOARD	1		
K02	3MECI00516	SENSOR	1		
K03	3MECI00516	SENSOR	1		
K04	3MECI30499	SWITCH - 10A - 250VAC	1		

Elec 2

COMPONENTS		
F01	FUSE- BRUSH MOTORS (80 A)	FUSIBILE SPAZZOLE POTENZA (80 A)
F02	FUSE-VACUUM MOTOR (<D A)	FUSIBILE ASPIRATORE POTENZA (<D A)
F03	FUSE-CURTIS TRACTION MOTORS (80 A)	FUSIBILE CURTIS MOTORE TRAZIONE (80 A)
F04	FUSE-BRUSHES RELEASE (<D A)	FUSIBILE SGANCIO SPAZZOLE (<D A)
F05	FUSE CURTIS/CONTROL PANEL (2 A)	FUSIBILE CURTIS/PLACIA (2 A)
F06	FUSE ACTUATORS (20 A)	FUSIBILE ATTUATORI (20 A)
R01	RELAY- BRUSH MOTORS	TELEGIUTTORE SPAZZOLE
R02	RELAY- VACUUM MOTOR	RELE' ASPIRATORE
R03	RELAY- TRACTION MOTOR	RELE' MOTORE TRAZIONE
R04	RELAY- BRUSH RELEASE	RELE' SGANCIO SPAZZOLE
EVI	ELECTRO-VALVE	ELETTRONIVALVA ACQUA
KS1	GENERAL KEY	CHIAVE AVVIAMENTO
K01	SWITCH- SEAT	MICRO INTERRUITTORE SEDILE
K02	SWITCH- RECOVERY TANK LEVEL (MAX)	LIVELLO TROFEO PIENO (N.O.)
K03	SWITCH- SOLUTION TANK LEVEL (MIN)	LIVELLO MINIMO SERBATOIO (N.O.)
K04	SWITCH- FORWARD / REWARD	INTERRUTTORE MARCIA AVANTI /INDIETRO
K05	SWITCH STEERING	SENEGGE STERZO
K06	SWITCH- BATTERY RECHARGE SAFETY	MICRO SICUREZZA RICARICA BATTERIE
M1	MOTOR- BRUSH 1	MOTORE SPAZZOLA -1
M2	MOTOR- BRUSH 2	MOTORE SPAZZOLA -2
M3	MOTOR- VACUUM	MOTORE ASPIRATORE
M4	MOTOR- TRACTION	MOTORE TRAZIONE
M5	BRUSH ACTUATORS	ATTUATORE SPAZZOLE
M6	SQUEEZE ACTUATORS	ATTUATORE SQUEEZE
T1	THERMIC SWITCH- BRUSH MOTOR 1	TERMICA MOTORE SPAZZOLA -1
T2	THERMIC SWITCH BRUSH MOTOR 2	TERMICA MOTORE SPAZZOLA -2
T4	THERMIC SWITCH TRACTION MOTOR	TERMICA MOTORE TRAZIONE
J1	CONN.CONTROLLO CURTIS	CONN.CONTROLLO CURTIS
J2	CONN. SCHEDA ATTUATORI	CONN. SCHEDA ATTUATORI
J3	CONN. ACCELERATORE + CLACSON	CONN. ACCELERATORE + CLACSON
PM1	CONN.FASTON MOTORE 1 CURTIS	CONN.FASTON MOTORE 1 CURTIS
PM2	CONN.FASTON MOTORE 2 CURTIS	CONN.FASTON MOTORE 2 CURTIS
B+	CONN.FASTON POSITIVO BATTERIA CURTIS	CONN.FASTON POSITIVO BATTERIA CURTIS
B-	CONN.FASTON NEGATIVO BATTERIA CURTIS	CONN.FASTON NEGATIVO BATTERIA CURTIS
SL1	STATUS LED CURTIS	STATUS LED CURTIS

COMPONENTS		
M51	CONNECTOR- BATTERY POSITIVE	MORSETTO BATTERIA POSITIVO
M52	CONNECTOR- BATTERY NEGATIVE	MORSETTO BATTERIA NEGATIVO
C1	CONNECTOR- BRUSH MOTOR 1	CONN. MOTORE SPAZZOLA -1
C2	CONNECTOR- THERMIC SW. BRUSH MOTOR 1	CONN. TERMICA MOTORE SPAZZOLA -1
C3	CONNECTOR- BRUSH MOTOR 2	CONN. MOTORE SPAZZOLA -2
C4	CONNECTOR- THERMIC SW. BRUSH MOTOR 2	CONN. TERMICA MOTORE SPAZZOLA -2
C5	CONNECTOR- VACUUM MOTOR	CONN. MOTORE ASPIRATORE
C6	CONNECTOR- "OHM COGE" ACCESSORY	CONN. OHM-COS
C7	CONNECTOR- THERMIC SWITCH+TRACTION MOTOR	CONN. TERMICA MOTORE TRAZIONE
C8	CONNECTOR- PRESSURE BOARD	CONN. POSITIVO SCHEDA PRESSIONE
C9	CONNECTOR- BATTERY RECHARGE SAFETY	CONN.SICUREZZA RICARICA BATTERIE
C10	CONNECTOR- BOARD/ ELECTROVALVE	CONN. E.V. HED DA SCHEDA ELETTRONICA
C11	CONNECTOR- HND LEVER	CONN. LEVA TRAZIONE
C12	CONNECTOR- RECOVERY TANK LEVEL (MAX)	CONN. LIVELLO TROFEO PIENO
C13	CONNECTOR- SOLUTION TANK LEVEL (MIN)	CONN. LIVELLO MINIMO
C14	CONNECTOR- FORWARD / REWARD	CONN. SELETORE MARCIA
C15	CONNECTOR- EXTERNAL BATT.CHARGER	CONN. MICRO C.B. ESTERNO
C16	CONNECTOR- TRACTION MOTOR	CONN. MOTORE TRAZIONE
C17	CONNECTOR-SQUEEZE ACTUATORS	CONN. ATTUATORE SQUEEZE
C18	SWITCH STEERING	SENEGGE STERZO
C19	CONNECTOR- BATTERY RECHARGE	SPINA ANDERSON RICARICA BATTERIE
O1L	CONNECTOR- CONTROL PANEL BOARD	CONN. 1 SCHEDA PLACIA
O1R	CONNECTOR- CONTROL PANEL BOARD	CONN. 2 SCHEDA PLACIA
O1B	CONNECTOR- CONTROL PANEL BOARD	CONN. 3 SCHEDA PLACIA
O1H	CONNECTOR- CONTROL PANEL BOARD	CONN. 4 SCHEDA PLACIA

K05	3MECI00560	SENSOR - SMP14-C-001	1
K06	3MECI00334	MICROSWITCH V4	1
KS1	3MECI00402	BUTTON	1
M1	3MOCC00328	MOTOR	1
M2	3MOCC00328	MOTOR	1
M3	3MOCC00342	VACUUM CLEANER - 24V	1
M4	3MOCC00395	MOTOR	1
M5	3MOCC00364	ATUATOR	1
M6	3MOCC00365	ATUATOR	1
R01	3METT00085	CONTACTOR - 100A	1
R02	3MERL00006	SWITCH RELAY - R502 024 H3M 1NO 80A	1
R03	3MERL00006	SWITCH RELAY - R502 024 H3M 1NO 80A	1