

Parts Manual

Manuel de pièces

2024-11

Hurricane Rally 21

Auto-Scrubber / Auto-récurveuse

Code: 19366 (4 x 6 V)



Serial Number / Numéro de série :

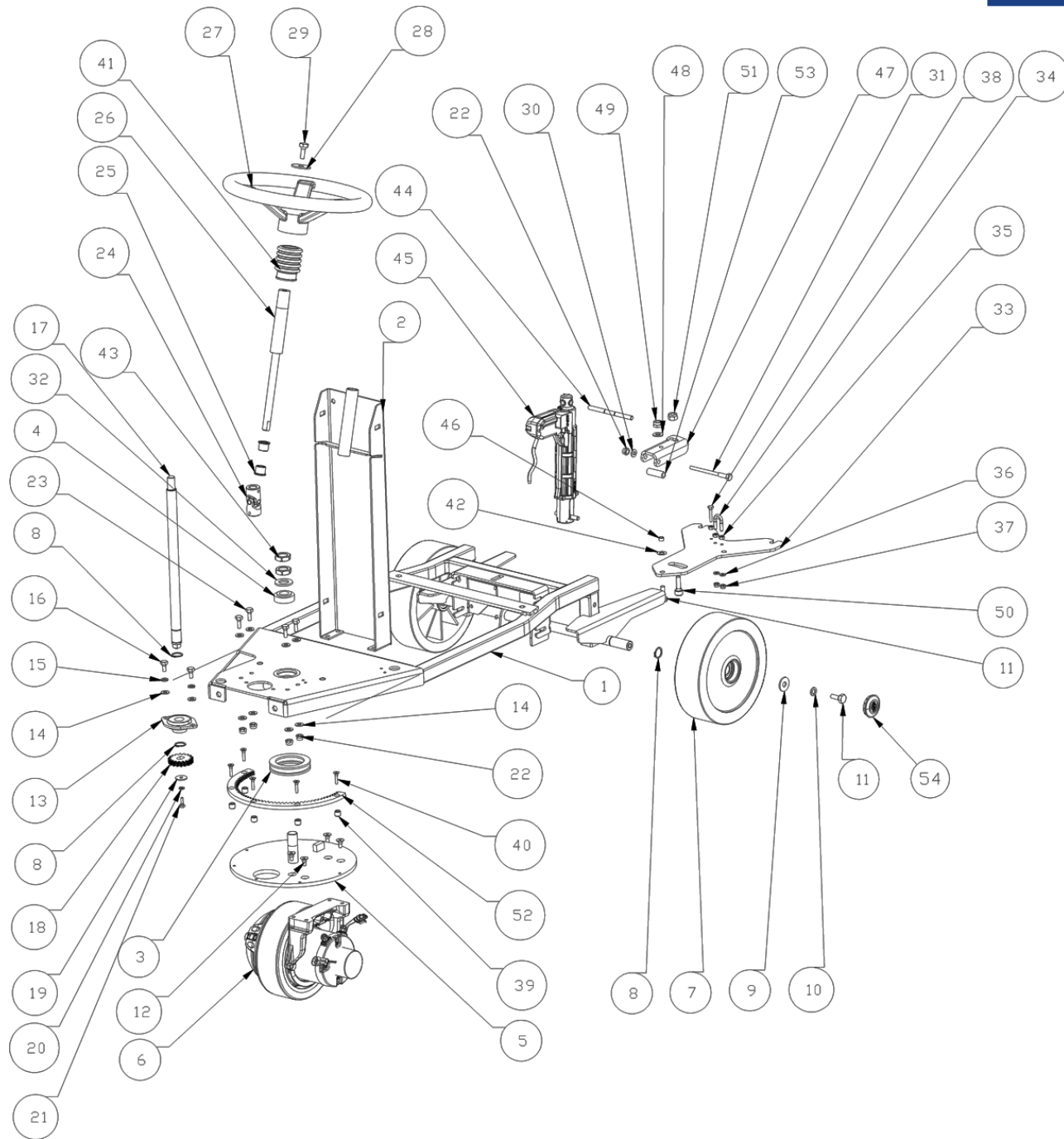
Date of Purchase / Date d'achat :

Distributor Name / Nom du distributeur :



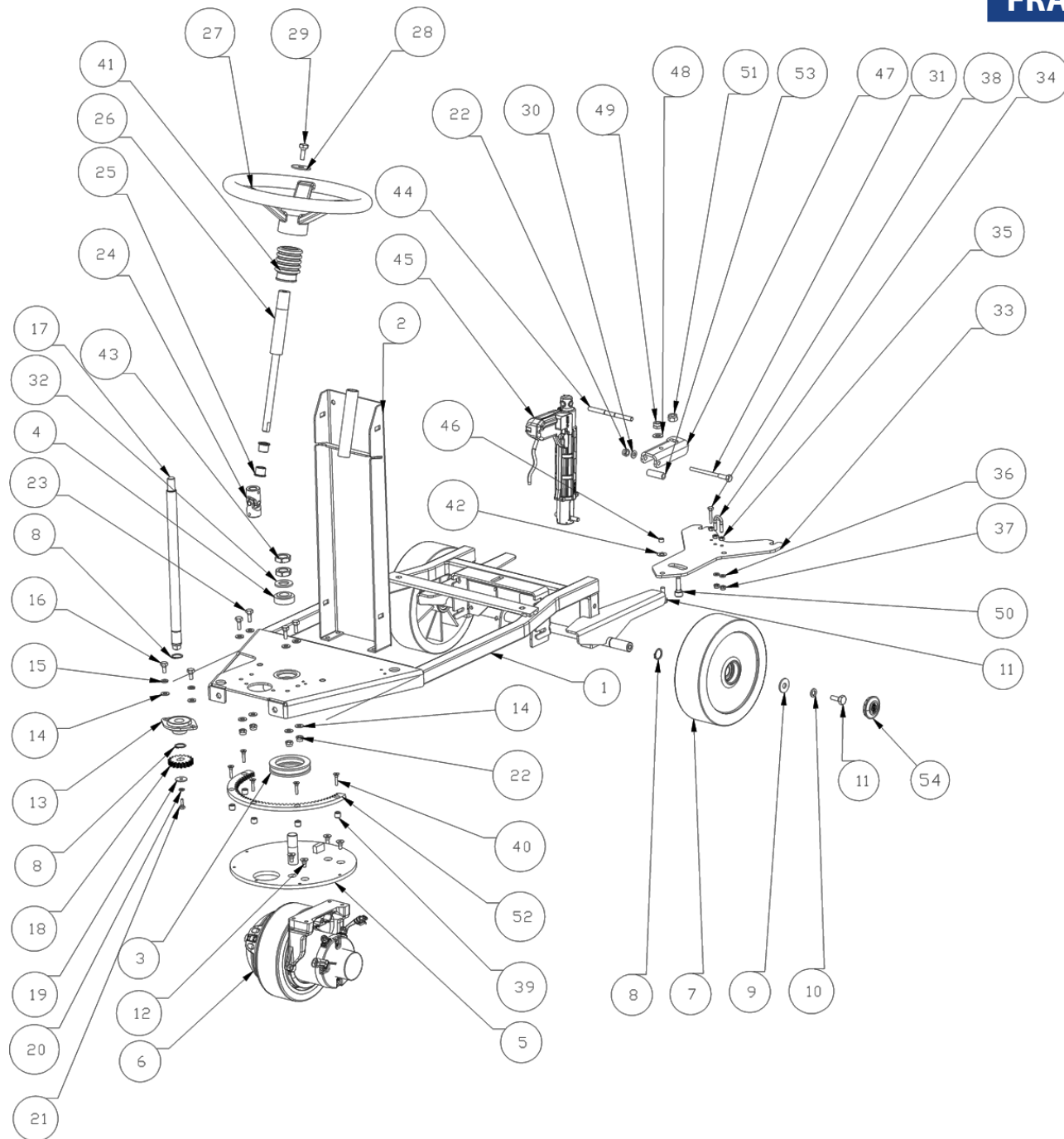
DUSTBANE
Give Meaning To Your Cleaning 

FRAME



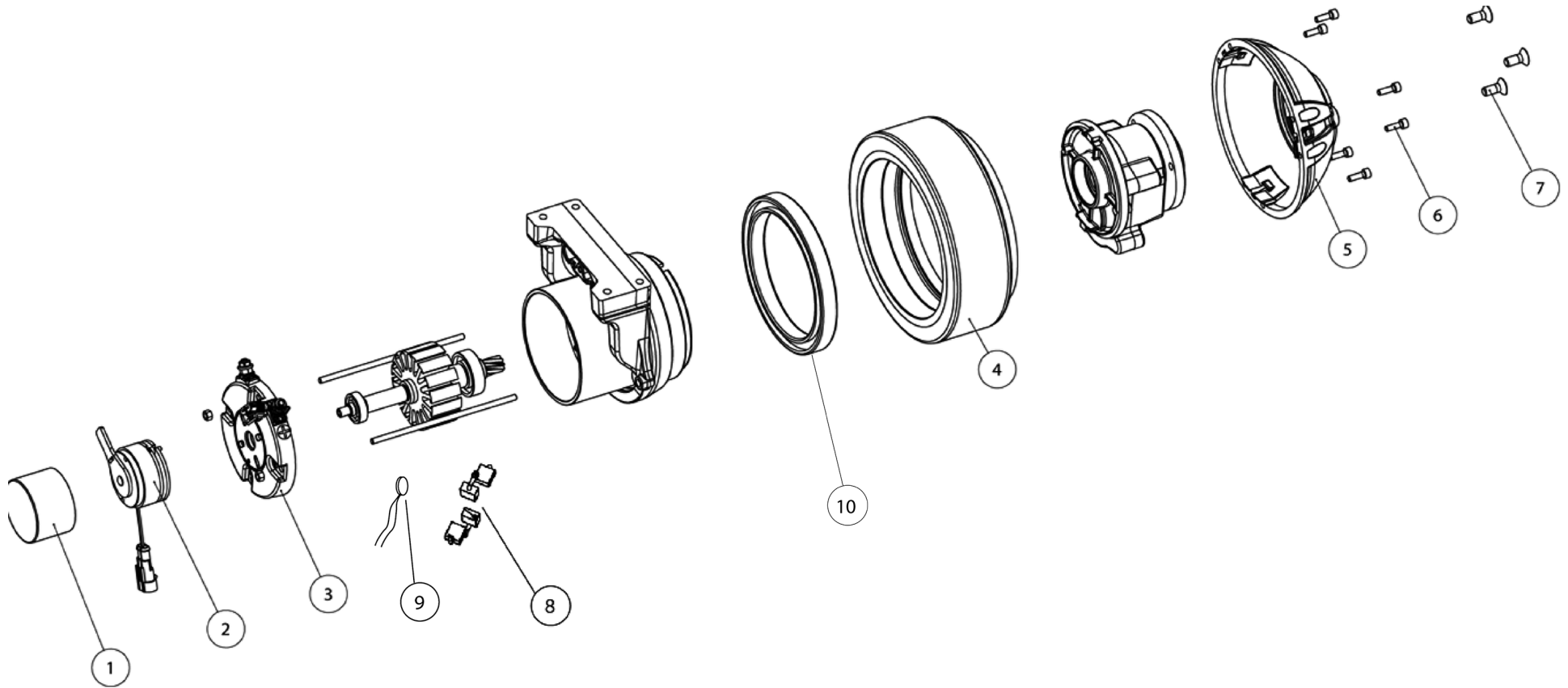
| Ref. | Part N. | Alt. Part N. | Description | Quantity | Validity From | Validity To |
|------|------------|--------------|---------------------------------------|----------|---------------|-------------|
| 1 | 3LAFN09292 | | FRAME RALLY | 1 | | |
| 2 | 3LAFN09373 | | STEERING COLUMN | 1 | | 13/04/2017 |
| 2 | 3LAFN11171 | | STEERING COLUMN RALLY | 1 | 4/14/2017 | |
| 3 | 3CUVR75816 | | BEARING 51112 | 1 | | |
| 4 | 3CUVR00094 | | BEARING 32004 SKF | 1 | | |
| 5 | 3LAFN09293 | | PLATE TRACTION MOTOR MOUNTING | 1 | | |
| 6 | 3MOCC00433 | | MOTORWHEEL ASSEMBLY TRACTION 24V 300W | 1 | | |
| 7 | 3RTRT00547 | | WHEEL D.250x60 | 2 | | |
| 8 | 3VTAE06193 | | CIRCLIP D. 20 UNI 7435 | 2 | | |
| 9 | 3VTRS15524 | | WASHER D.10 | 2 | | |
| 10 | 3VTRS15909 | | WASHER D.10 | 2 | | |
| 11 | 3VTVT03640 | | SCREW HH 10X25 UNI5740 | 2 | | |
| 12 | 3VTVT00790 | | SCREW SH-CSK M8X16 | 4 | | |
| 13 | 3CUVR00105 | | AXLE BEARINGS & SUPPORT | 1 | | |
| 14 | 3VTRS13947 | | WASHER D.8 SS UNI 6592 | 2 | | |
| 15 | 3VTRS15146 | | WASHER SPLIT A2 UNI1751 | 2 | | |
| 16 | 3VTVT15916 | | SCREW HH M8X16 UNI 5739 A2 | 2 | | |
| 17 | 3LAFN09294 | | SHAFT | 1 | | |
| 18 | 3LAFN06377 | | PINION STEERING | 1 | | |
| 19 | 3VTRS16937 | | WASHER 6x24 SS UNI 6593 | 1 | | |
| 20 | 3VTRS15144 | | WASHER D.6 SS SPLIT UNI 1751 | 1 | | |
| 21 | 3VTVT15143 | | SCREW HH 6X16 UNI5739 | 1 | | |
| 22 | 3VTDD01695 | | NUT M8 SS | 4 | | |
| 23 | 3VTVT13938 | | SCREW HH 8X20 UNI5739 SS | 4 | | |
| 24 | 3VTVR00057 | | U JOINT STEERING | 1 | | |
| 25 | 3LAFN75841 | | BUSHING | 2 | | |
| 26 | 3ALTR00097 | | SHAFT STEERING RALLY | 1 | | |
| 27 | 3MPVR47027 | | STEERING WHEEL D.320 WITHOUT KNOB | 1 | | |
| 28 | 3VTRS44254 | | WASHER UNI 6593 10X40X2,5 ZC | 1 | | |

FRAME



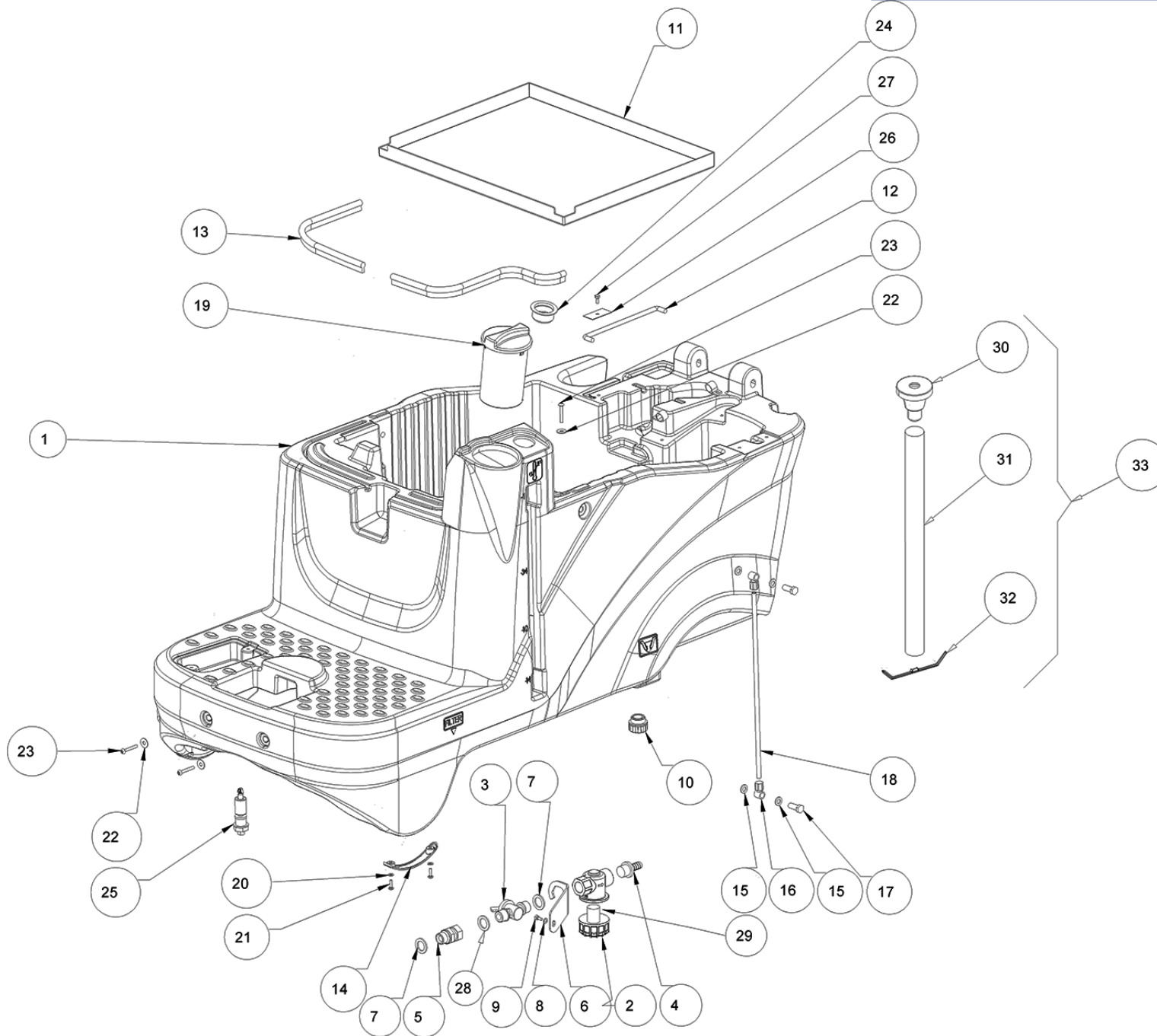
| Ref. | Part N. | Alt. Part N. | Description | Quantity | Validity From | Validity To |
|------|------------|--------------|--------------------------------|----------|---------------|-------------|
| 29 | 3VTVT00455 | | SCREW HH 10X20 UNI5739 | 1 | | |
| 30 | 3VTRS00274 | | WASHER NYLON 66 D.8,4-17-2 UNI | 2 | | |
| 31 | 3VTVT01677 | | SCREW HH M8X100 | 1 | | |
| 32 | 3VTRS00019 | | WASHER UNI 6592 SS | 1 | | |
| 33 | 3LAFN09328 | | PLATE FOR SQUEEGEE | 1 | | 04/06/2015 |
| 33 | 3LAFN08156 | | PLATE FOR SQUEEGEE | 1 | 6/5/2015 | |
| 34 | 3LAFN09231 | | BRACKET M6X11X29 | 1 | | |
| 35 | 3VTDD15520 | | NUT M6 A2 UNI 5588 SS | 2 | | |
| 36 | 3VTRS00245 | | WASHER D.6 UNI 6592 SS | 2 | | |
| 37 | 3VTDD01694 | | NUT, NYL M6 SS | 2 | | |
| 38 | 3VTVT13939 | | SCREW HH 6X20 UNI5739 SS | 1 | | |
| 39 | 3LAFN06844 | | SPACER | 5 | | |
| 40 | 3VTVT25909 | | SCREW M6X25 SH-CSK UNI 5933 | 5 | | |
| 41 | 3MPVR51068 | | BOOT STEERING WHEEL | 0.50 | | |
| 42 | 3MLML34767 | | SPRING D.10.2 X20 | 1 | | |
| 43 | 3VTDD00524 | | NUT M20x1,5 UNI 5589 | 2 | | |
| 44 | 3LAFN09320 | | PIN | 1 | | |
| 45 | 3MOCC00424 | | ACTUATOR SQUEEGEE RALLY | 1 | | |
| 46 | 3LAFN09407 | | SPACER | 1 | | |
| 47 | 3LAFN09406 | | SUPPORT SQUEEGEE RALLY | 1 | | 21/09/2015 |
| 47 | 3LAFN08233 | | SUPPORT SQUEEGEE RALLY | 1 | 9/22/2015 | |
| 48 | 3VTRS13947 | | WASHER D. 8 SS UNI 6592 | 1 | | |
| 49 | 3VTDD01695 | | NUT M8 SS | 1 | | |
| 50 | 3VTVT00307 | | SCREW SHCS M10X30 | 1 | | |
| 51 | 3VTDD15519 | | NUT M10 SS | 1 | | |
| 52 | 3LAFN09409 | | RING GEAR STEERING | 1 | | |
| 53 | 3MPVR06421 | | SPACER | 1 | | |
| 54 | 3MPVR05951 | | CAP G48 FOR WHEEL | 2 | | |

TRACTION MOTOR



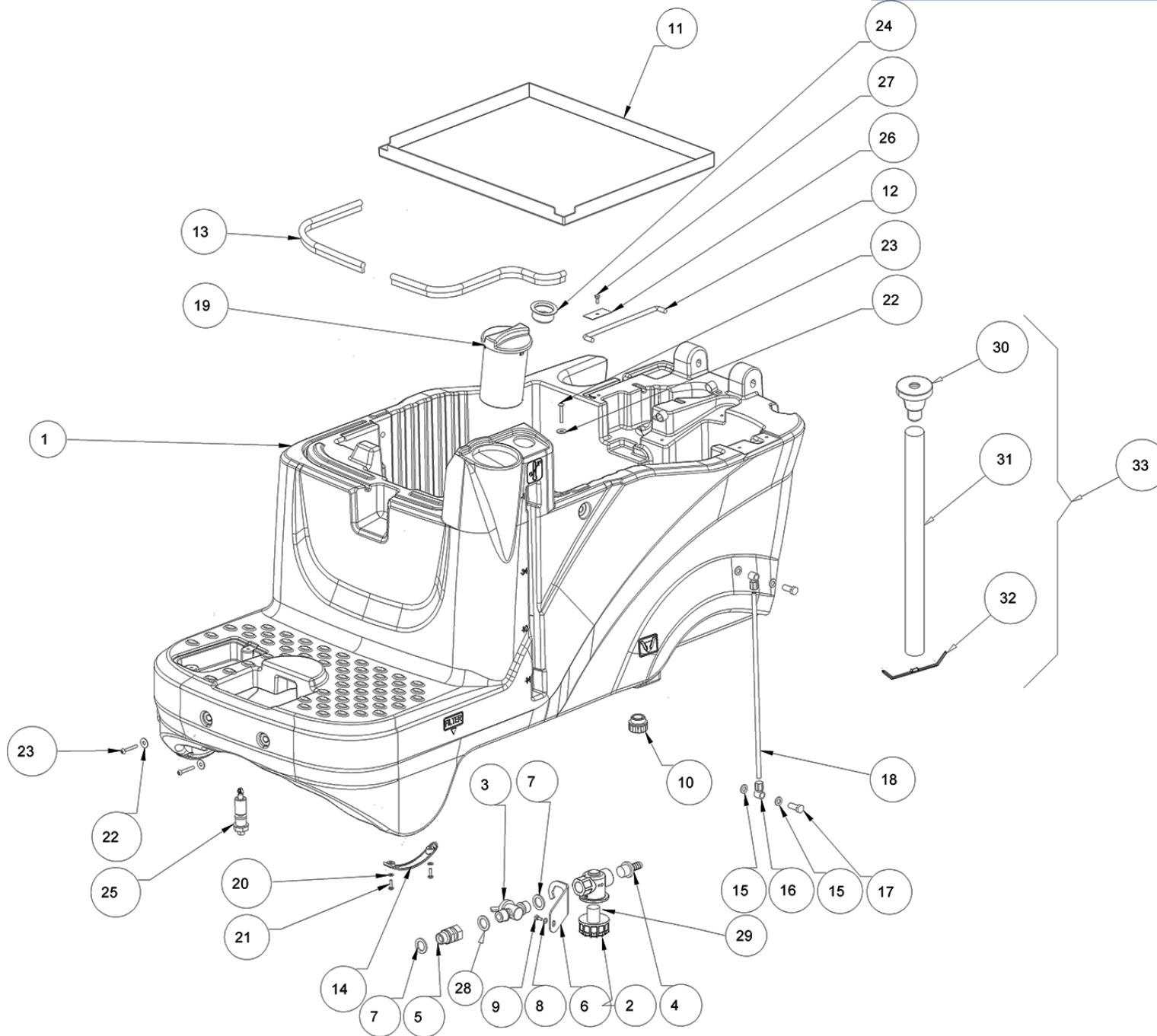
| Ref. | Part N. | Alt. Part N. | Description | Quantity | Validity From | Validity To |
|------|------------|--------------|-----------------------------------|----------|---------------|-------------|
| 1 | 3MPVR06463 | | COVER ELECTRIC BRAKE RALLY | 1 | | |
| 2 | 3MEVR01757 | | BRAKE TRACTION MOTORWHEEL RALLY | 1 | | |
| 3 | 3KTRIO2294 | | KIT CARBONS SUPPORT RALLY | 1 | | |
| 4 | 3RTRT00552 | | WHEEL POLYU. FOR TRACTION RALLY | 1 | | |
| 5 | 3MPVR06464 | | COVER MOTORWHEEL RALLY | 1 | | |
| 8 | 3MEVR34441 | | BRUSH CARBON CC7X14X19 200/400W | 4 | | |
| 8 | 3MEVR31146 | | CARBON BRUSHES SET OF 4 | | | |
| 9 | 3MEVR02387 | | SENSOR THERMAL FOR 3MOCC00433 | 1 | | |
| 10 | 3CUVR00220 | | BEARING TRACTION MOTORWHEEL RALLY | 1 | | |

SOLUTION TANK



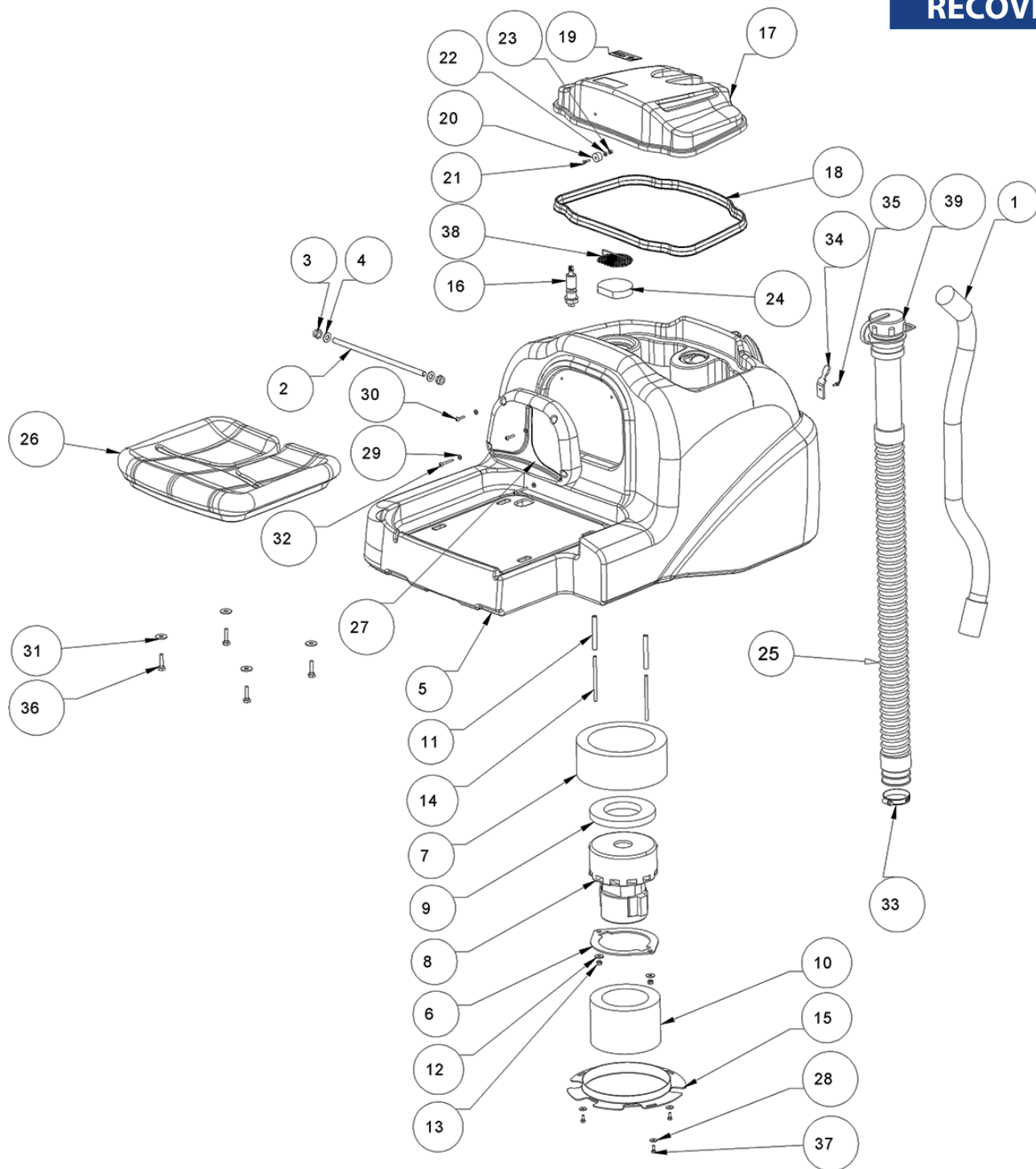
| Ref. | Part N. | Alt. Part N. | Description | Quantity | Validity From | Validity To |
|------|------------|--------------|--------------------------------|----------|---------------|-------------|
| 1 | 3MPVR07174 | | SOLUTION TANK BLUE RALLY | 1 | | |
| 2 | 3FTAC00045 | | FILTER SOLUTION COMPLETE RALLY | 1 | | |
| 3 | 3RCGR00078 | | VALVE TAP SOLUTION TANK | 1 | | |
| 4 | 3RCVR00514 | | CONNECTOR 1/2 | 1 | | |
| 5 | 3RCVR00594 | | CONNECTOR 1/2" M/F | 1 | | |
| 6 | 3LAFN09393 | | BRACKET FILTER SUPPORT RALLY | 1 | | |
| 7 | 3VTRS00567 | | WASHER GASKET 1/2 | 2 | | |
| 8 | 3VTRS13750 | | WASHER D.5X14 SS | 1 | | |
| 9 | 3VTVT01300 | | SCREW HH M5X12 SS | 1 | | |
| 10 | 3MPVR07073 | | CAP SOLUTION TANK | 1 | | 25/10/2016 |
| 10 | 3MPVR10773 | | CAP MALE SOLUTION DRAIN 3/4" | 1 | 10/26/2016 | |
| 11 | 3MPVR07131 | | BATTERY TRAY RALLY | 1 | | |
| 12 | 3LAFN09401 | | PIN SAFETY REC.TANK RALLY | 1 | | |
| 13 | 3GUVR00288 | | GASKET N052 S1007 | 0.80 | | |
| 14 | 3MPVR06102 | | GUARD SOLUTION TANK | 2 | | |
| 15 | 3GUGO00461 | | GASKET | 4 | 2/12/2015 | |
| 15 | 3GUGO40012 | | GASKET D.9-16X2 | 4 | | 11/02/2015 |
| 16 | 3RCVR40127 | | CONNECTOR 1/8" D. 6/ 8 | 2 | | |
| 17 | 3RCVR40079 | | SCREW G 1/8 L= 28 | 2 | | |
| 18 | 3TBBP15347 | | L.P. HOSE D. 6-8 | 0.37 | | |
| 19 | 3MPVR07127 | | CAP SOLUTION DOSER | 1 | | 04/05/2017 |
| 19 | 3MPVR11497 | | CAP SOLUTION TANK | 1 | 5/5/2017 | |
| 20 | 3VTRS00516 | | WASHER D. 5 SS | 4 | | |
| 21 | 3VTVT00805 | | SCREW BHSCS M. 5-10 | 4 | | |
| 22 | 3VTRS13946 | | WASHER D.8X24 SS UNI 6593 | 2 | | |
| 23 | 3VTVT00410 | | SCREW HH M8x35 UNI5739 SS | 2 | | |
| 24 | 3MPVR06399 | | CAP | 1 | | |
| 25 | 3MECI00533 | | SENSOR VS303-51N | 1 | | |
| 26 | 3LAFN09408 | | FLANGE FOR SAFETY PIN | 1 | | |

SOLUTION TANK



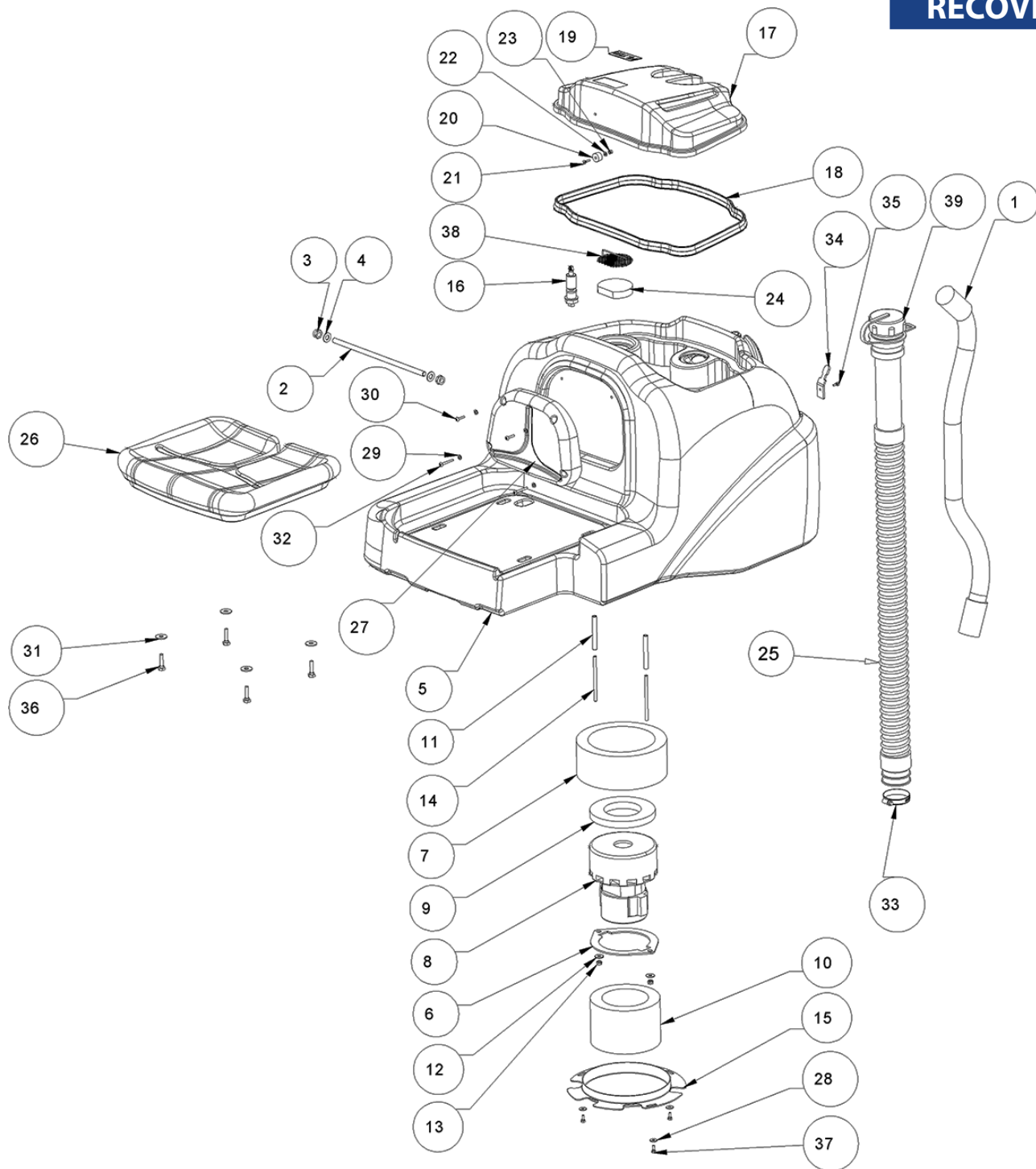
| Ref. | Part N. | Alt. Part N. | Description | Quantity | Validity From | Validity To |
|------|------------|--------------|------------------------------|----------|---------------|-------------|
| 27 | 3VTVT01300 | | SCREW HH M5X12 SS | 1 | | 16/05/2018 |
| 27 | 3VTVT01317 | | SCREW M5X12 SH-CSK UNI 5933 | 1 | 5/17/2018 | |
| 28 | 3GUGO01054 | | O-RING D.15.08X2.62 NBR 70SH | 1 | 1/30/2015 | |
| 29 | 3LAFN11037 | | NET SOLUTION FILTER | 1 | | |
| 30 | 3MPVR06404 | | JOINT | 1 | | |
| 31 | 3TBFX00375 | | HOSE ONLY | 1 | | |
| 32 | 3MPVR08038 | | PLATE | 1 | | |
| 33 | 3KTROI2248 | | KIT FILL HOSE | 1 | | |

RECOVERY TANK – Until 02/2017



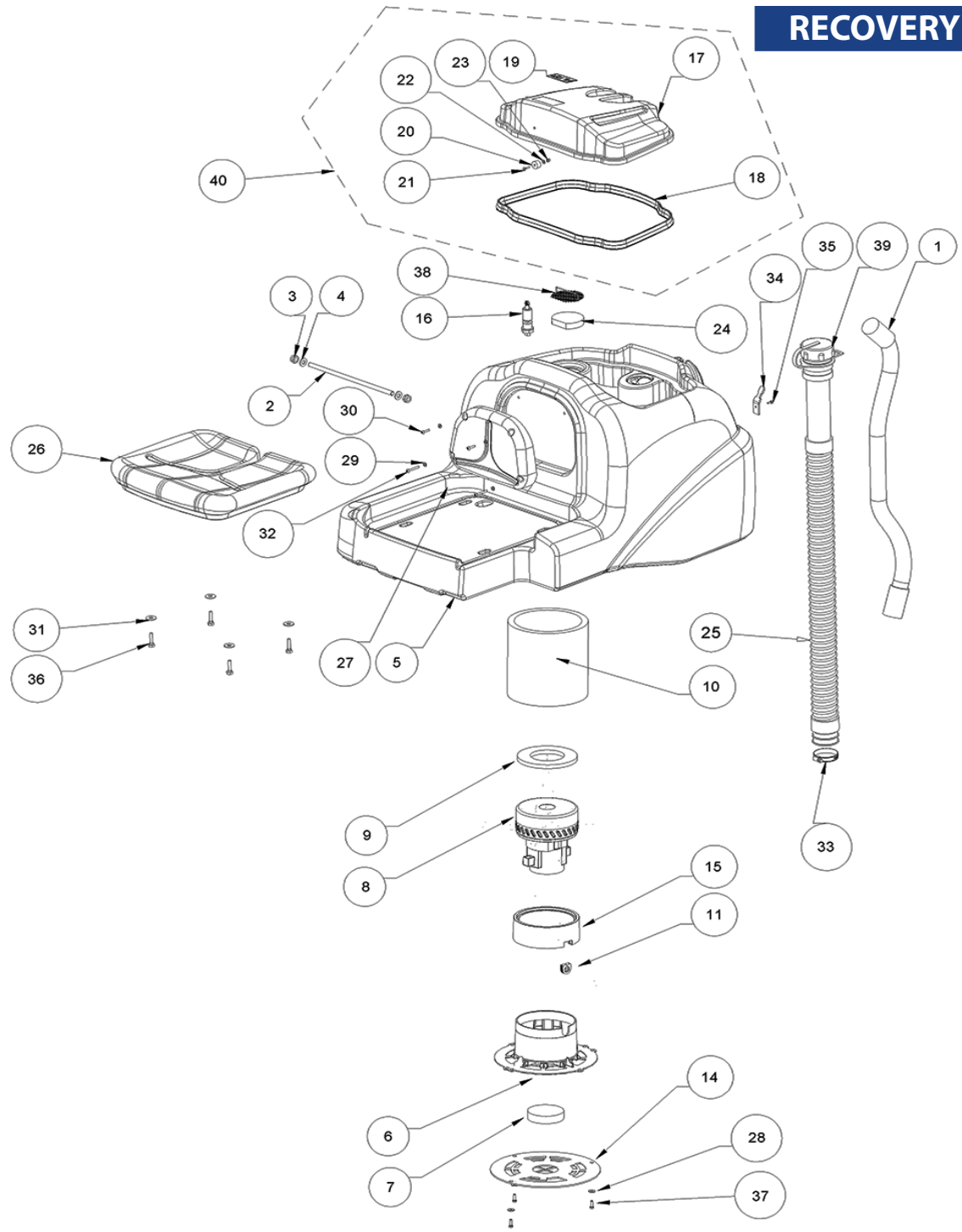
| Ref. | Part N. | Alt. Part N. | Description | Quantity | Validity From | Validity To |
|------|------------|--------------|---|----------|---------------|-------------|
| 1 | 3KTRI04702 | | KIT REPLACEMENT SUCTION HOSE 3TBBP00512 | 1 | | |
| 2 | 3LAFN09389 | | PIN | 1 | | |
| 3 | 3VTDD10310 | | NUT NYL M10 SS DIN 985 | 2 | | |
| 4 | 3VTRS15523 | | WASHER D.10X21 SS UNI 6592 | 2 | | |
| 5 | 3MPVR07170 | | BLUE RECOVERY TANK RALLY | 1 | | |
| 6 | 3LAFN09352 | | FLANGE | 1 | | |
| 7 | 3ITSO00071 | | INSULATOR | 1 | | |
| 8 | 3MOCC00417 | 3MOCC00349 | MOTOR VACUUM 24 2-STAGES | 1 | | |
| 9 | 3GUGO00272 | | GASKET VACUUM MOTOR | 1 | | |
| 10 | 3ITSO00072 | | INSULATOR | 1 | | |
| 11 | 3LAFN51078 | | SPACER | 2 | | |
| 12 | 3VTRS13945 | | WASHER D.6X18 SS UNI 6593 | 2 | | |
| 13 | 3VTDD01694 | | NUT M6 SS | 2 | | |
| 14 | 3VTVR00198 | | ROD | 2 | | |
| 15 | 3MPVR07125 | | COVER | 1 | | |
| 16 | 3MECI00533 | | SENSOR VS303-51N | 1 | | |
| 17 | 3MPVR07118 | | LID RECOVERY TANK RALLY | 1 | | |
| 18 | 3GUGO00322 | | GASKET RALLY TANK LID | 1 | | |
| 19 | 3ETET01824 | | LABEL | 1 | | |
| 20 | 3MPVR06400 | | RUBBER STOPPER | 1 | | |
| 21 | 3VTVT00056 | | SCREW SH-CSK 4X12 SS | 1 | | |
| 22 | 3VTRS00515 | | WASHER D.4 SS | 1 | | |
| 23 | 3VTDD00055 | | NUT M4 | 1 | | |
| 24 | 3FTDP00232 | | FILTER | 1 | | |
| 25 | 3TBBP00513 | | HOSE DRAIN RECOVERY TANK RALLY | 1 | | |
| 26 | 3SESD86493 | | SEAT | 1 | | 17/07/2018 |
| 26 | 3SESD86494 | | SEAT W\ SENSOR RALLY | 1 | 7/18/2018 | |
| 27 | 3MPVR07132 | | SEAT BACK SUPPORT FOR RALLY | 1 | | |
| 28 | 3VTRS13750 | | WASHER D.5X14 SS | 3 | | |

RECOVERY TANK – Until 02/2017



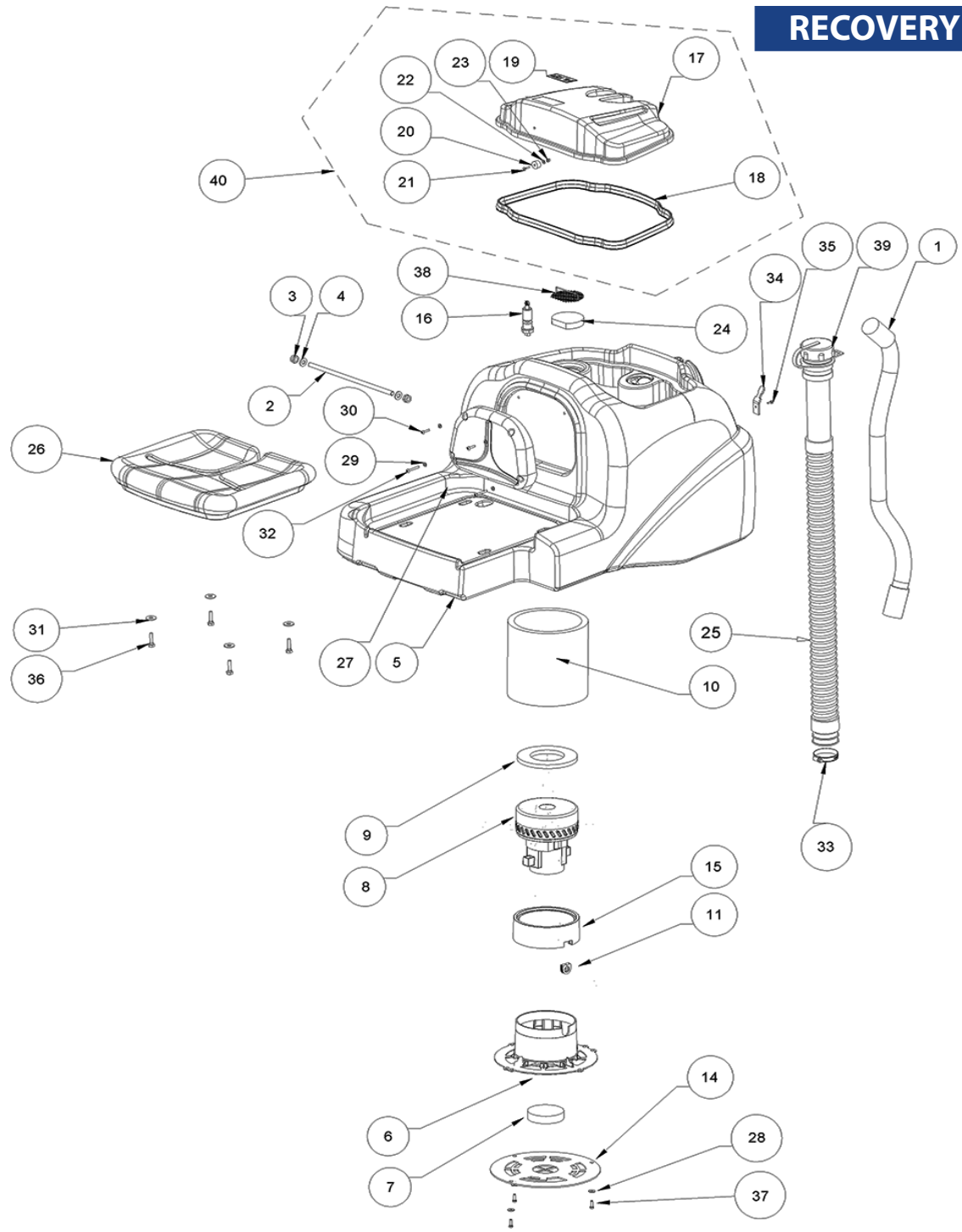
| Ref. | Part N. | Alt. Part N. | Description | Quantity | Validity From | Validity To |
|------|------------|--------------|-------------------------------|----------|---------------|-------------|
| 29 | 3VTRS00516 | | WASHER D.5 SS | 4,00 | | |
| 30 | 3VTVT00852 | | SCREW BHSCS M5X20 ISO 7380 IX | 2,00 | | |
| 31 | 3VTRS13946 | | WASHER D.8X24 SS UNI 6593 | 4,00 | | |
| 32 | 3VTVT01207 | | SCREW BHSCS 5X35 | 2,00 | | |
| 33 | 3FSVR00033 | | CLAMP 45-60 | 1,00 | | |
| 34 | 3LAFN09400 | | HOOK | 1,00 | | |
| 35 | 3VTVT21096 | | SCREW HH M4X10 SS | 1,00 | | |
| 36 | 3VTVT13937 | | SCREW HH M8X30 SS UNI 5739 | 4,00 | | |
| 37 | 3VTVT01300 | | SCREW HH M5X12 SS | 3,00 | | |
| 38 | 3LAFN09353 | | NET VACUUM FILTER | 1,00 | | |
| 39 | 3KTROI1980 | | KIT CAP DRAIN HOSE | 1,00 | | |

RECOVERY TANK – From 02/2017



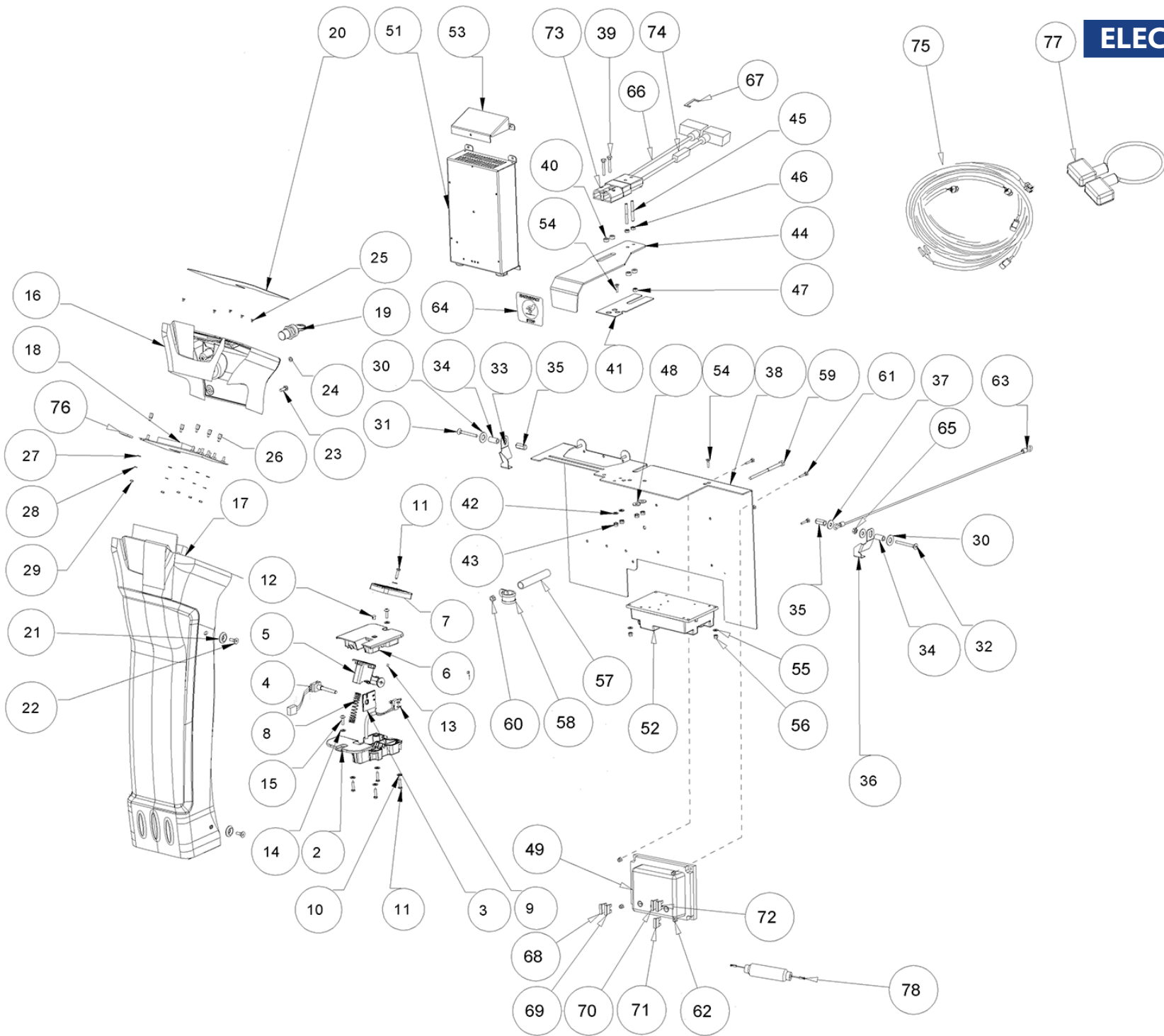
| Ref. | Part N. | Alt. Part N. | Description | Quantity | Validity From | Validity To |
|------|------------|--------------|--|----------|---------------|-------------|
| 1 | 3KTRI04702 | | KIT REPLACEMENT SUCTION HOSE TBBP00512 | 1 | | |
| 2 | 3LAFN09389 | | PIN | 1 | | |
| 3 | 3VTDD10310 | | NUT NYL M10 SS DIN 985 | 2 | | |
| 4 | 3VTRS15523 | | WASHER D.10X21 SS UNI 6592 | 2 | | |
| 5 | 3MPVR07170 | | BLUE RECOVERY TANK RALLY | 1 | | |
| 6 | 3MPVR10561 | | BAFFLE | 1 | | |
| 7 | 3FTAC00072 | | FILTER VACUUM INTAKE | 1 | | 31/07/2018 |
| 8 | 3MOCC00417 | 3MOCC00349 | MOTOR VACUUM 24 2-STAGES | 1 | | |
| 9 | 3GUGO00497 | | GASKET Ø140XØ80X10 | 1 | | |
| 10 | 3ITSO00105 | | INSULATOR | 1 | | |
| 11 | 3GUGO00496 | | GROMMET 14-747 | 1 | | |
| 14 | 3LAFN11070 | | FLANGE | 1 | | |
| 15 | 3GUGO00466 | | GASKET RUBBER VACUUM MOTOR | 1 | | |
| 16 | 3MECI00533 | | SENSOR VS303-51N | 1 | | |
| 17 | 3MPVR07118 | | LID RECOVERY TANK RALLY | 1 | | |
| 18 | 3GUGO00322 | | GASKET FOR RALLY TANK LID | 1 | | |
| 19 | 3ETET01824 | | LABEL | 1 | | |
| 20 | 3MPVR06400 | | RUBBER STOPPER | 1 | | |
| 21 | 3VTVT00056 | | SCREW SH-CSK 4X12 SS | 1 | | |
| 22 | 3VTRS00515 | | WASHER D.4 SS | 1 | | |
| 23 | 3VTDD00055 | | NUT M4 | 1 | | |
| 24 | 3FTDP00232 | | FILTER | 1 | | |
| 25 | 3TBBP00513 | | HOSE DRAIN RECOVERY TANK RALLY | 1 | | |
| 26 | 3SESD86493 | | SEAT | 1 | | 17/07/2018 |
| 26 | 3SESD86494 | | SEAT WITH SENSOR RALLY | 1 | 7/18/2018 | |
| 27 | 3MPVR07132 | | BACKREST RALLY | 1 | | |
| 28 | 3VTRS13750 | | WASHER D.5X14 SS | 3 | | |
| 29 | 3VTRS00516 | | WASHER D.5 SS | 4 | | |
| 30 | 3VTVT00852 | | SCREW BHCS M5X20 ISO 7380 IX | 2 | | |

RECOVERY TANK – From 02/2017



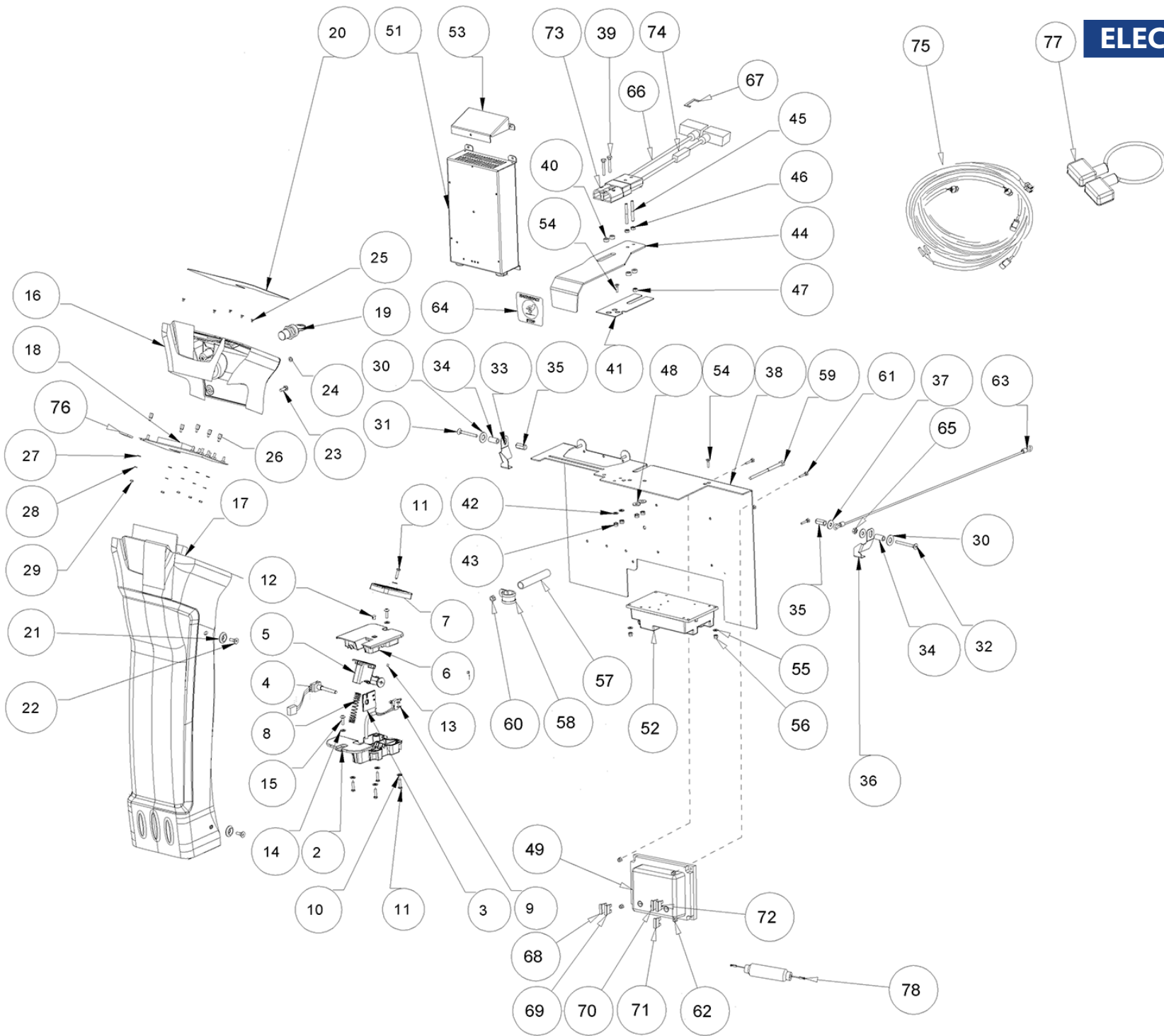
| Ref. | Part N. | Alt. Part N. | Description | Quantity | Validity From | Validity To |
|------|------------|--------------|----------------------------|----------|---------------|-------------|
| 31 | 3VTRS13946 | | WASHER D.8X24 SS UNI 6593 | 4,00 | | |
| 32 | 3VTVT01207 | | SCREW BHCS 5X35 | 2,00 | | |
| 33 | 3FSVR00033 | | CLAMP 45-60 | 1,00 | | |
| 34 | 3LAFN09400 | | HOOK | 1,00 | | |
| 35 | 3VTVT21096 | | SCREW HH M4X10 SS | 1,00 | | |
| 36 | 3VTVT13937 | | SCREW HH M8X30 SS UNI 5739 | 4,00 | | |
| 37 | 3VTVT07725 | | SCREW HH 5X16 UNI5739 SS | 3,00 | | |
| 38 | 3LAFN09353 | | NET VACUUM FILTER | 1,00 | | |
| 39 | 3KTRIO1980 | | KIT CAP DRAIN HOSE | 1,00 | | |
| 40 | 3KTRIO5032 | | KIT REC. TANK LID RALLY | 1,00 | | |

ELECTRICAL



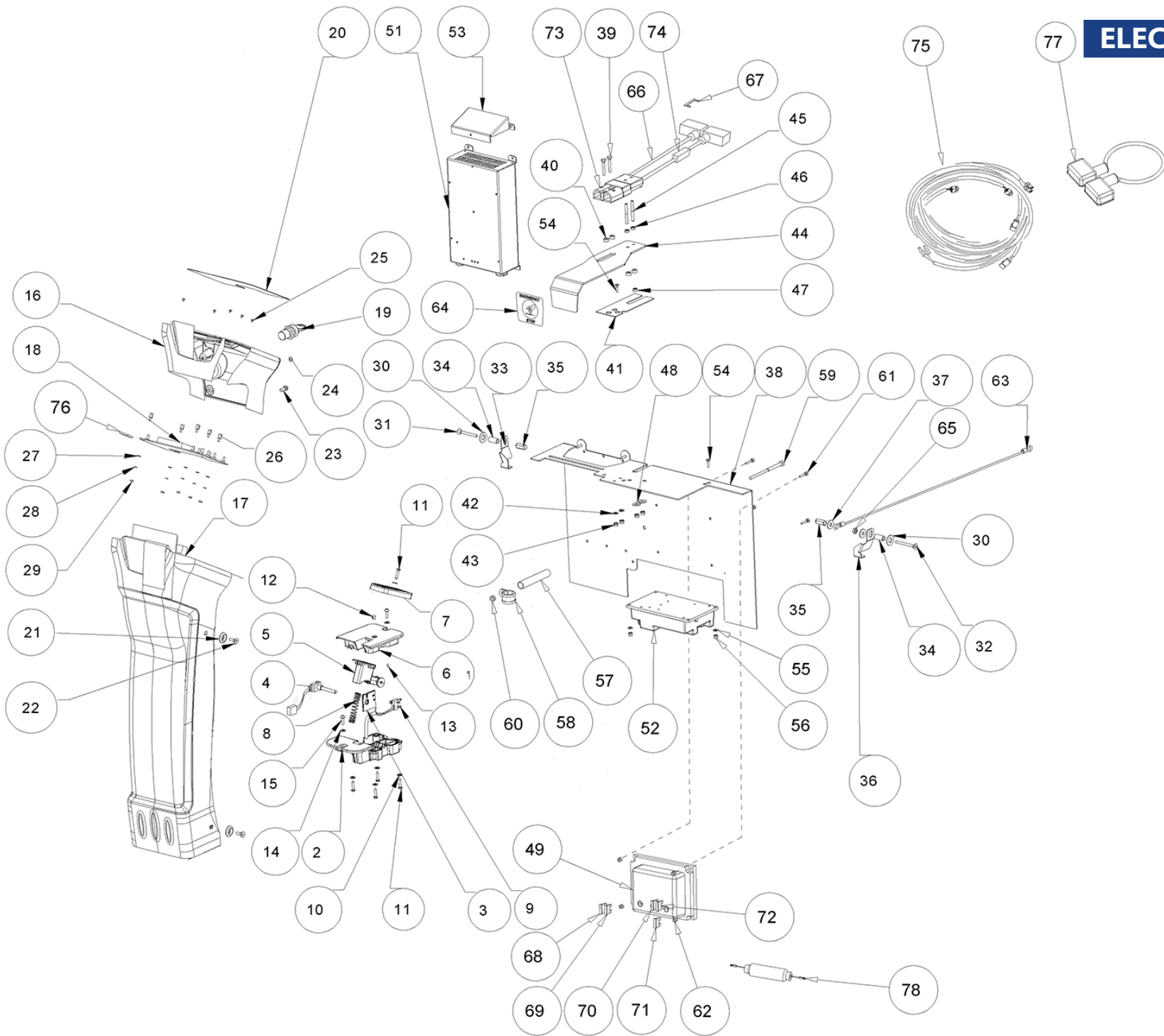
| Ref. | Part N. | Alt. Part N. | Description | Quantity | Validity From | Validity To |
|------|------------|--------------|--------------------------------------|----------|---------------|-------------|
| 2 | 3MPVR07120 | | BASE FOR RALLY PEDAL | 1 | | |
| 3 | 3MPVR07122 | | PLATE FOR RALLY PEDAL | 1 | | |
| 4 | 3MEVR01755 | | POTENTIOMETER FOR RALLY PEDAL | 1 | | |
| 5 | 3MPVR07121 | | SUPPORT FOR RALLY PEDAL | 1 | | |
| 6 | 3MPVR07119 | | COVER FOR RALLY PEDAL | 1 | | |
| 7 | 3MPVR07126 | | COVER FOR RALLY PEDAL | 1 | | |
| 8 | 3MLML00339 | | SPRING FOR RALLY PEDAL | 1 | | 25/01/2017 |
| 8 | 3MLML00476 | | SPRING FOR RALLY PEDAL | 1 | 1/26/2017 | |
| 9 | 3MECI00414 | | MICROSWITCH FOR RALLY PEDAL | 1 | | |
| 10 | 3VTRS00516 | | WASHER D.5 SS | 4 | | |
| 11 | 3VTVT48694 | | SCREW PH CR 5X12 UNI 9707 | 4 | | |
| 12 | 3RCVR00163 | | CAP D.6 | 1 | | |
| 13 | 3VTVT01703 | | GRUB SCREW M4X8 | 1 | | |
| 14 | 3VTRS00516 | | WASHER D.5 SS | 1 | | |
| 15 | 3VTVT45339 | | SCREW SHCS ISO 7380 5X16 ZC | 1 | | |
| 16 | 3MPVR07124 | | INSTRUMENT PANEL | 1 | | |
| 17 | 3MPVR07171 | | SIDE PANEL FOR RALLY | 1 | | |
| 18 | 3MECE00589 | | BOARD DISPLAY RALLY | 1 | | |
| 19 | 3MECI75805 | | SWITCH KEY | 1 | | |
| 20 | 3ETET01797 | | LABEL | 1 | | |
| 21 | 3VTVR41809 | | CSK WASHER D.6.5-22 H4.5 NYLON BLACK | 4 | | |
| 22 | 3VTVT00832 | | SCREW SH-CSK M6X16 SS | 4 | | |
| 23 | 3VTVT00787 | | SCREW BHCS M 6-16 | 2 | | |
| 24 | 3VTRS13750 | | WASHER D. 5X14 SS | 2 | | |
| 25 | 3VTVT01377 | | SCREW CR SH-CSK M3X5 UNI7688 SS | 5 | | |
| 26 | 3VTVR00576 | | SPACER M3 | 5 | | |
| 27 | 3VTRS00268 | | WASHER D.3 | 5 | | 09/11/2016 |
| 28 | 3VTRS21116 | | WASHER D.3 SS | 5 | | |
| 29 | 3VTDD21115 | | NUT M3 SS | 5 | | 09/11/2016 |

ELECTRICAL



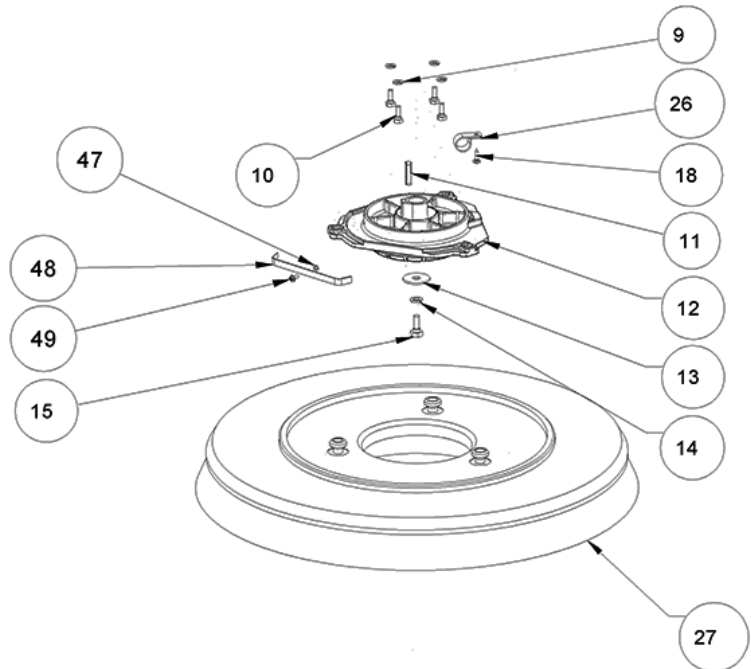
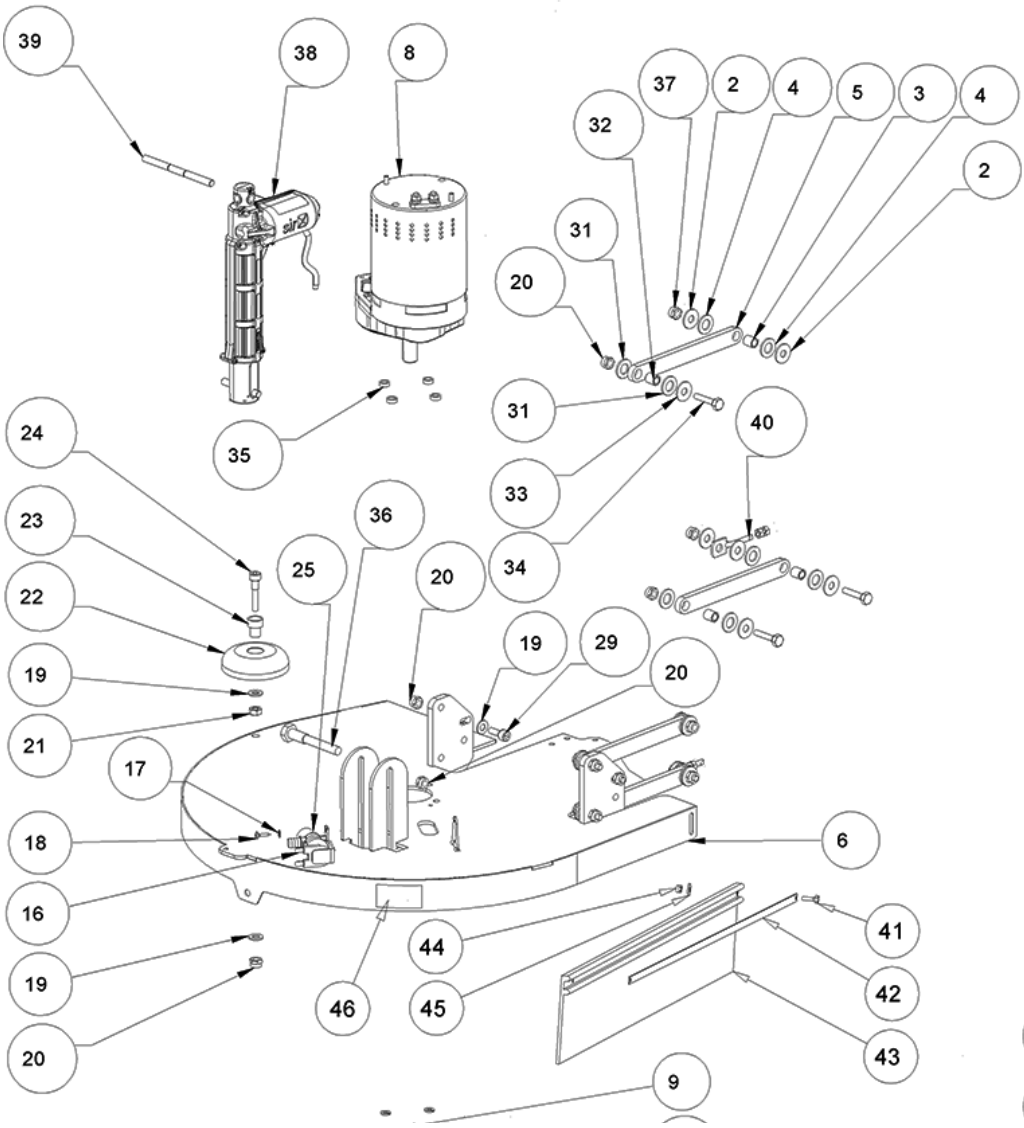
| Ref. | Part N. | Alt. Part N. | Description | Quantity | Validity From | Validity To |
|------|------------|--------------|---------------------------------------|----------|---------------|-------------|
| 29 | 3VTDD00210 | | NUT M3 NYL DIN 985 | 5 | 11/10/2016 | |
| 30 | 3VTRS15523 | | WASHER D.10X21 SS UNI 6592 | 2 | | |
| 31 | 3VTVT26818 | | SCREW M6x45 SH-CSK UNI5933 | 1 | | |
| 32 | 3VTVT30247 | | SCREW SH-CSK M6X50 UNI 5933 | 1 | | |
| 33 | 3LAFN09398 | | BRACKET | 1 | | |
| 34 | 3MPVR07165 | | SPACER | 2 | | |
| 35 | 3VTVR00556 | | RIVET | 2 | | |
| 36 | 3LAFN09399 | | BRACKET | 1 | | |
| 37 | 3VTRS00245 | | WASHER D.6 UNI 6592 SS | 1 | | |
| 38 | 3LAFN09322 | | SUPPORT PLATE FOR ELECTRONICS+CHARGER | 1 | | |
| 39 | 3VTVT00423 | | SCREW HH M5X30 UNI 5739 | 2 | | |
| 40 | 3MPVR07164 | | SPACER | 2 | | |
| 41 | 3MPVR07141 | | PLATE | 1 | | |
| 42 | 3VTRS00516 | | WASHER D. 5 SS | 2 | | |
| 43 | 3VTDD01693 | | NUT M5 SS | 2 | | |
| 44 | 3LAFN09321 | | LEVER | 1 | | |
| 45 | 3LAFN09350 | | PIN | 2 | | |
| 46 | 3VTDD07727 | | NUT M5 SS | 2 | | |
| 48 | 3VTRS13750 | | WASHER D.5X14 SS | 2 | | |
| 49 | 3MECE00588 | 3KTRIO2313 | BOARD POWER SERVICE RALLY | 1 | | 28/01/2016 |
| 49 | 3MECE00738 | 3KTRIO2313 | BOARD POWER SERVICE RALLY | 1 | 1/29/2016 | |
| 51 | 19460 | | BATTERY-CHARGER CBHD3 24V\25A | 1 | | |
| 52 | 3MECE00590 | | TRACTION CURTIS BOARD RALLY 21 | 1 | | |
| 53 | LAFN09325 | | COVER CHARGER | 1 | | |
| 54 | 3VTVT16939 | | SCREW M4X16 SH-CSK UNI 5933 | 2 | | |
| 55 | 3VTRS00515 | | WASHER D.4 SS | 2 | | |
| 56 | 3VTDD00055 | | NUT M4 | 2 | | |
| 57 | 3LAFN09323 | | TUBE | 1 | | |
| 58 | 3MEVR02096 | | GROMMET | 1 | | |

ELECTRICAL



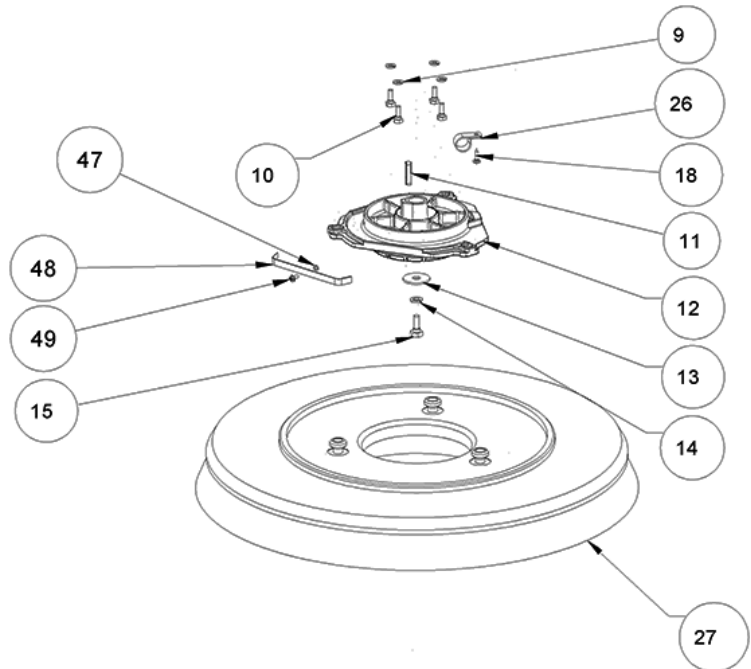
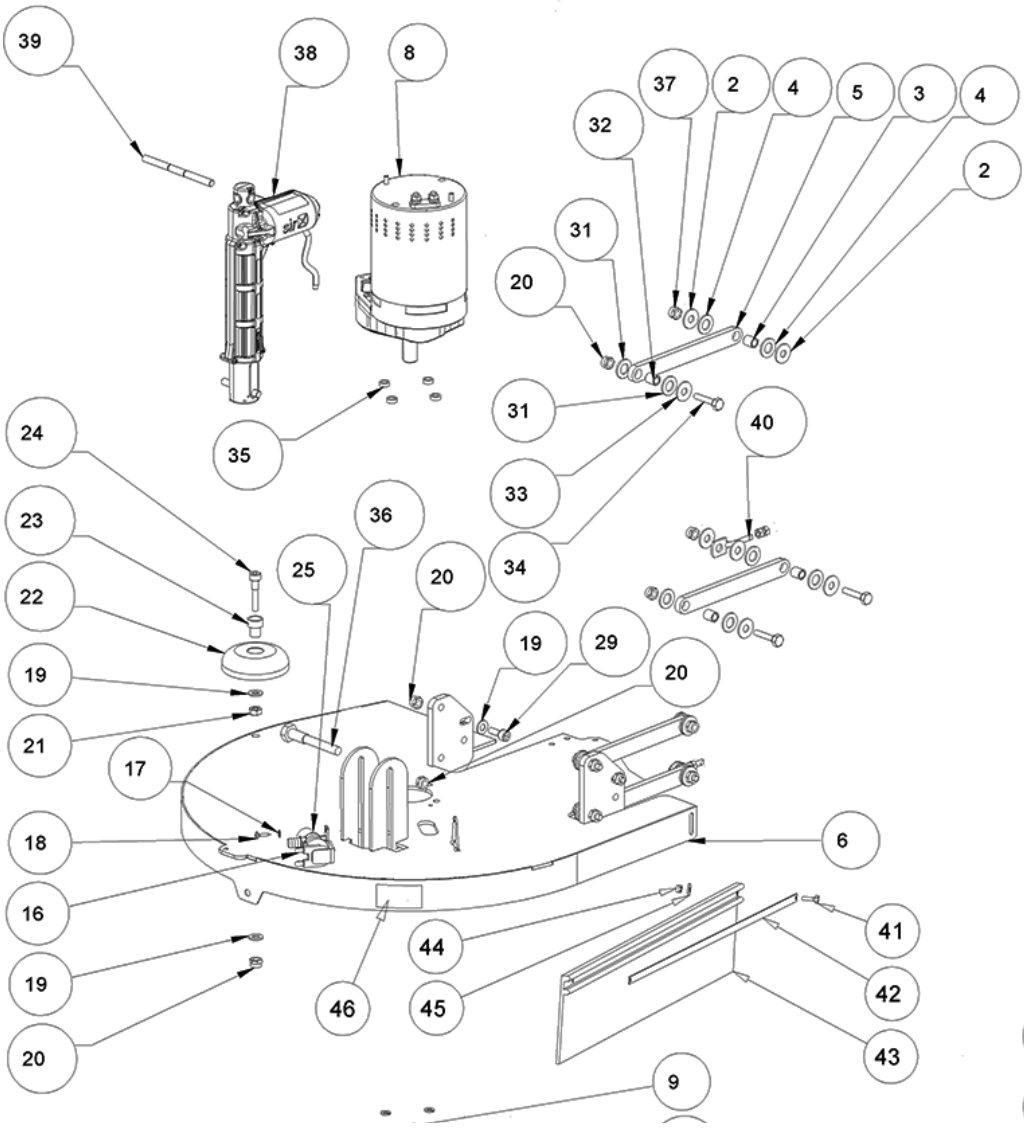
| Ref. | Part N. | Alt. Part N. | Description | Quantity | Validity From | Validity To |
|------|------------|--------------|---|----------|---------------|-------------|
| 59 | 3VTVT00414 | | SCREW HH M6x100 UNI5739 | 1 | | |
| 60 | 3VTDD01694 | | NUT NYL M6 SS | 1 | | |
| 61 | 3VTVT00704 | | SCREW HH M4X16 UNI5739 SS | 4 | | |
| 62 | 3VTDD15925 | | NUT M4 SS+ZC | 4 | | |
| 63 | 3CMCV00469 | | CABLE RALLY | 1 | | 08/06/2016 |
| 63 | 3CMCV00471 | | CABLE RALLY | 1 | 6/9/2016 | |
| 64 | 3ETET01825 | | LABEL | 1 | | |
| 65 | 3VTDD00053 | | NUT M6 SS UNI5589 | 1 | | |
| 66 | 3KTRIO2290 | | CABLE KIT BATTERY + SB120 ANDERSON + FUSE | 1 | | |
| 67 | 3MEVR32087 | | FUSE 100A NST. | 1 | | |
| 68 | 3MEVR01136 | | FUSE 30A | 1 | | 28/01/2016 |
| 68 | 3MEVR00644 | | FUSE MAXIVAL 30A | 1 | 1/29/2016 | |
| 69 | 3MEVR01136 | | FUSE 30A | 1 | | 28/01/2016 |
| 69 | 3MEVR00644 | | FUSE MAXIVAL 30A | 1 | 1/29/2016 | |
| 70 | 3MEVR00565 | | FUSE 5A | 1 | | |
| 71 | 3MEVR01136 | | FUSE 30A | 1 | | 28/01/2016 |
| 71 | 3MEVR00644 | | FUSE MAXIVAL 30A | 1 | 1/29/2016 | |
| 72 | 3MEVR00565 | | FUSE 5A | 1 | | |
| 73 | 3MEVR01621 | | SB120 ANDERSON CONNECTOR | 1 | | |
| 74 | 3MEVR31036 | | FUSE-HOLDER | 1 | | |
| 75 | 3MECB01393 | | WIRING HARNESS FOR RALLY | 1 | | |
| 76 | 3MEVR02097 | | SD-CARD | 1 | | |
| 77 | 3MEVR34820 | | WIRING BATTERY BRIDGE W/TERMINAL | 1 | | |
| 78 | 3MECB01908 | | WIRING DIODE FILTER | 1 | 11/9/2015 | |
| NA | 19403 | | BATTERY 6V 225AH (4 X 6V) | 4 | | |
| NA | 19409 | | BATTERY 12V 110AH (2 X 12V) | 2 | | |

BRUSH DECK



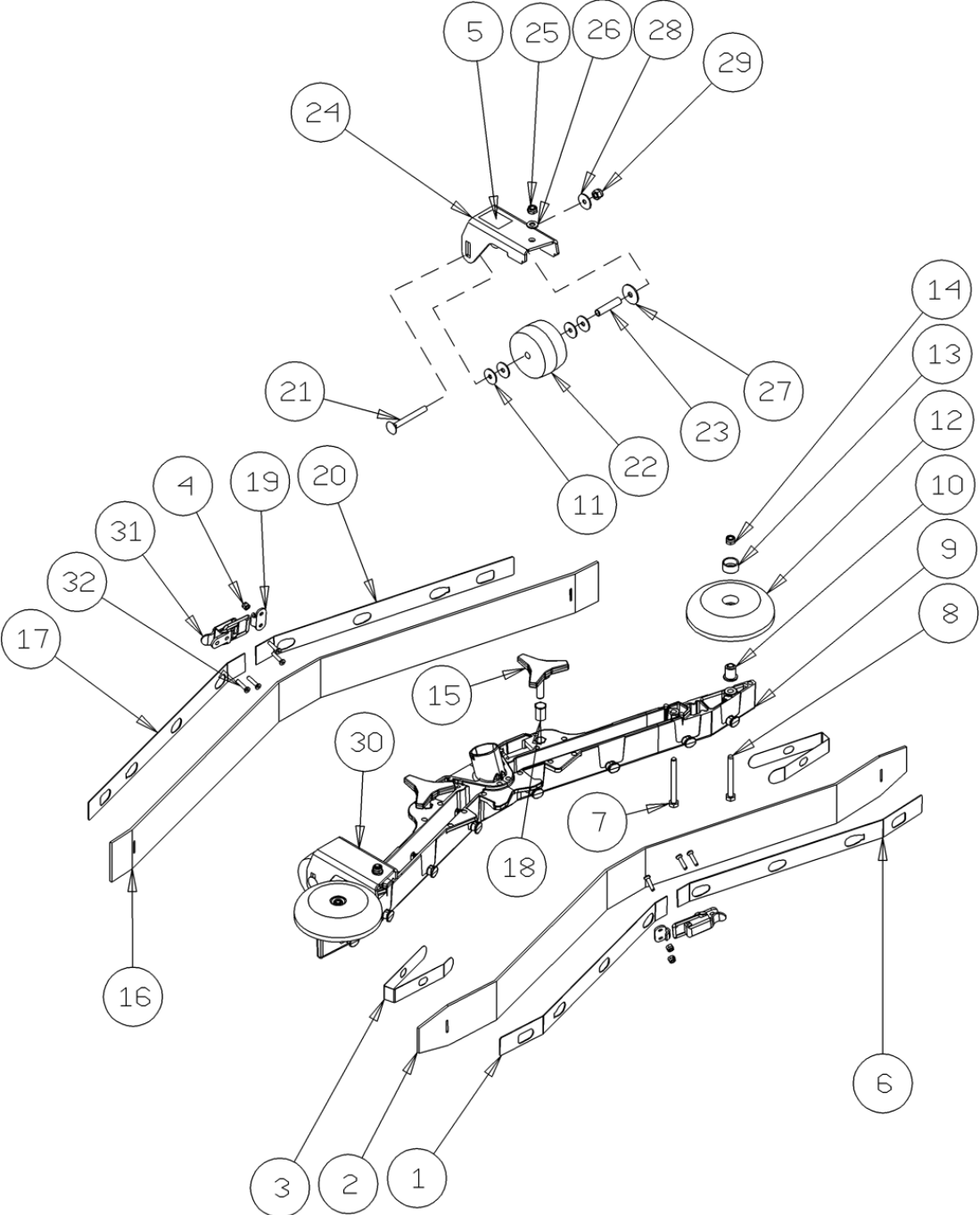
| Ref. | Part N. | Alt. Part N. | Description | Quantity | Validity From | Validity To |
|------|------------|--------------|----------------------------------|----------|---------------|-------------|
| 2 | 3VTRS13946 | | WASHER D.8X24 SS UNI 6593 | 4 | | |
| 3 | 3LAFN04151 | | BUSHING | 2 | | |
| 4 | 3VTRS43258 | | WASHER D.13X24X2.5 NYLON UNI6592 | 2 | | |
| 5 | 3LAFN09298 | | ARM BRUSH DECK RALLY | 4 | | |
| 6 | 3LAFN09306 | | DECK PLATE RALLY 21 | 1 | | |
| 8 | 3MOCC00431 | | MOTOR BRUSH COMPLETE 24V 400W | 1 | | |
| 9 | 3VTRS15144 | | WASHER D.6 SS SPLIT UNI 1751 | 4 | | |
| 10 | 3VTVT13939 | | SCREW HH 6X20 UNI5739 SS | 4 | | |
| 11 | 3VTVR16617 | | KEY 6X6X30 UNI 6604 | 1 | | |
| 12 | 3MFVR00242 | | FLANGE DISK DRIVE | 1 | | |
| 13 | 3VTRS16323 | | WASHER D.8X32 UNI 6593 SS | 1 | | |
| 14 | 3VTRS15146 | | WASHER SPLIT A2 UNI1751 | 1 | | |
| 15 | 3VTVT13938 | | SCREW HH 8X20 UNI5739 SS | 1 | | |
| 16 | 3MEEV00036 | | SOLENOID VALVE 24V | 1 | | |
| 17 | 3VTRS00515 | | WASHER D.4 SS | 2 | | |
| 18 | 3VTVT01158 | | SCREW M4x16 | 3 | | |
| 19 | 3VTRS13947 | | WASHER D.8 SS UNI 6592 | 6 | | |
| 20 | 3VTDD01695 | | NUT M8 SS | 5 | | |
| 21 | 3VTDD15521 | 3BD459800 | NUT M8 SS A2 UNI 5588 | 1 | | |
| 22 | 3MPVR06105 | | WHEEL BUMPER D.80 H=22 | 1 | | |
| 23 | 3LAFN03915 | | BUSHING BUMPER WHEEL | 1 | | |
| 24 | 3VTVT06241 | | SCREW 8X40 | 1 | | |
| 25 | 3TBFX48011 | | HOSE FLEX D.12X3 PVC - 40" | 0.50 | | |
| 26 | 3FSVR00099 | 3FSVR00244 | CLAMP PIPE | 1 | | |
| 27 | 3SPPV01348 | | DISC PAD DRIVER FOR RALLY 21 | 1 | | |
| | 3SPPV00489 | | MOUNTING FLANGE FOR PAD DRIVER | 1 | | |
| | 3MPVR04088 | | CENTER LOCK FOR PAD DRIVER | 1 | | |
| 27 | 3SPPV01352 | | NYLON BRUSH FOR RALLY 21 | 1 | | |
| 27 | 3SPPV01522 | | TYNEX BRUSH FOR RALLY 21 | 1 | | |

BRUSH DECK



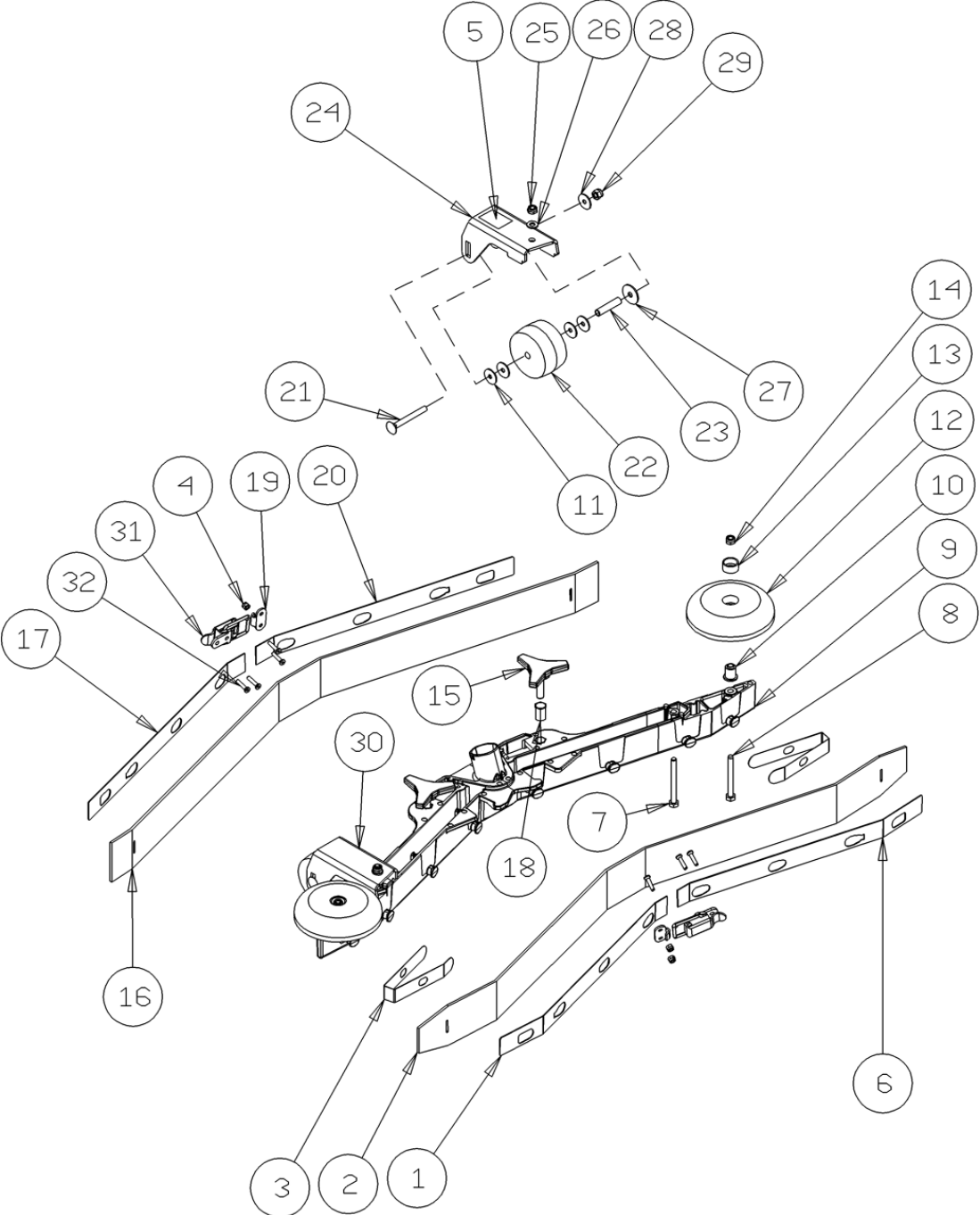
| Ref. | Part N. | Alt. Part N. | Description | Quantity | Validity From | Validity To |
|------|------------|--------------|-----------------------------------|----------|---------------|-------------|
| 27 | 3SPPV01525 | | SOFT PES BRUSH | 1 | | |
| 29 | 3VTVT13944 | | SCREW SHCS M8X20 UNI 5931 SS | 2 | | |
| 31 | 3VTRS43258 | | WASHER D.13X24 X2.5 NYLON UNI6592 | 8 | | |
| 32 | 3LAFN04151 | | BUSHING | 4 | | |
| 33 | 3VTRS13946 | | WASHER D.8X24 SS UNI 6593 | 4 | | |
| 34 | 3VTVT00410 | | SCREW HH M8x35 UNI5739 SS | 4 | | |
| 35 | 3RCDS35584 | | BUSHING D.8X12X4.3 | 4 | | |
| 36 | 3VTVT01209 | | SCREW HH M8X80 | 1 | | |
| 37 | 3VTDD01695 | | NUT M8 SS | 4 | | |
| 38 | 3MOCC00424 | | ACTUATOR SQUEEGEE/DECK RALLY | 1 | | |
| 39 | 3LAFN09320 | | PIN | 1 | | |
| 40 | 3LAFN47168 | | TENSIONNER | 2 | | |
| 41 | 3VTVT07725 | | SCREW HH 5X16 UNI5739 SS | 3 | | |
| 42 | 3LAFN09405 | | BRACKET | 1 | | |
| 43 | 3MPVR06402 | | FLAP SPLASH GUARD RALLY 21 | 1 | | |
| 44 | 3VTDD01693 | | NUT M5 SS | 3 | | |
| 45 | 3VTRS13750 | | WASHER D.5X14 SS | 3 | | |
| 46 | 3MPVR10602 | | DRIVE DISK HEAD RALLY | 2 | 5/13/2017 | |
| 47 | 3VTRS15913 | | WASHER D.4 SPLIT UNI1751 | 1 | | |
| 48 | 3MLML00328 | | SPRING RETAINING, BRUSH DRIVER | 1 | | |
| 49 | 3VTVT21887 | | SCREW PH CR 4X10 8112 | 1 | | |

SQUEEGEE – (COMPLETE ASSEMBLY 3PMVR01534)



| Ref. | Part N. | Alt. Part N. | Description | Quantity | Validity From | Validity To |
|------|------------|--------------|---------------------------------------|----------|---------------|-------------|
| 1 | 3LAFN09275 | SEE KITS | BLADE HOLDER FRONT RIGHT XS | 1 | | |
| 2 | 3MPVR06287 | | BLADE XS 3MM LATEX FRONT | 1 | | |
| OR | 3MPVR06285 | | BLADE XS 3MM RUBBER FRONT | | | |
| OR | 3MPVR06289 | | FRONT SQUEEGEE BLADE OIL RESISTANT XS | | | |
| 3 | 3MPVR05897 | | CLOSURE SMALL | 2 | | |
| 4 | 3VTDD00210 | | NUT M3 NYL DIN 985 | 8 | | |
| 5 | 3ETET01817 | | LABEL | 2 | | |
| 6 | 3LAFN09276 | SEE KITS | BLADE HOLDER FRONT LEFT XS | 1 | | |
| 7 | 3VTVT17342 | | SCREW HH M6X60 UNI 5739 SS | 2 | | |
| 8 | 3VTVT00655 | | SCREW HH M.6-55 | 2 | | |
| 9 | 3MFVR00143 | 3KTRIO2051 | BODY KIT SQUEEGEE | 1 | | |
| 10 | 3LAFN04100 | | SPACER FOR BUMPER WHEEL | 2 | | |
| 11 | 3VTRS00274 | | WASHER NYLON 66 D.8,4-17 | 4 | | |
| 12 | 3MPVR06105 | | WHEEL BUMPER D.80 H=22 | 2 | | |
| 13 | 3MPVR49229 | | BUSHING | 2 | | |
| 14 | 3VTDD01694 | | NUT M6 SS | 2 | | |
| 15 | 3MPVR06004 | | KNOB 8X25 | 2 | | 03/04/2018 |
| 15 | 3MPVR10569 | | SMALL KNOB YELLOW M8X45 H.10 | 2 | 4/4/2018 | |
| 16 | 3MPVR06288 | | BLADE XS 3MM LATEX REAR | 1 | | |
| OR | 3MPVR06286 | | BLADE XS 3MM RUBBER REAR | | | |
| OR | 3MPVR06290 | | REAR SQUEEGEE BLADE OIL RESISTANT XS | | | |
| 17 | 3LAFN09277 | SEE KITS | BLADE HOLDER REAR RIGHT XS | 1 | | |
| 18 | 3VTVR00567 | | INSERT | 2 | | |
| 19 | 3LAFN09301 | | RETAINER HOOK | 2 | | |
| 20 | 3LAFN09278 | SEE KITS | BLADE HOLDER REAR LEFT XS | 1 | | |
| 21 | 3VTVT01206 | | SCREW M6X55 | 2 | | |
| 22 | 3RTRT00398 | | WHEEL GREY D.60 HOLE 8 | 2 | | |
| 23 | 3LAFN07589 | | SPACER | 2 | | |
| 24 | 3LAFN09217 | | SUPPORT LEFT SIDE | 1 | | |

SQUEEGEE – (COMPLETE ASSEMBLY 3PMVR01534)



| Ref. | Part N. | Alt. Part N. | Description | Quantity | Validity From | Validity To |
|------|------------|--------------|----------------------------|----------|---------------|-------------|
| 25 | 3VTDD01694 | | NUT M6 SS | 2 | | |
| 26 | 3VTRS00245 | | WASHER D.6 UNI 6592 SS | 2 | | |
| 27 | 3VTRS16937 | | WASHER 6x24 SS UNI 6593 | 2 | | |
| 28 | 3VTRS13945 | | WASHER D. 6X18 SS UNI 6593 | 2 | | |
| 29 | 3VTDD15518 | | NUT M6 SS | 2 | | |
| 30 | 3LAFN09216 | | SUPPORT RIGHT SIDE | 1 | | |
| 31 | 3LAFN09302 | | RETAINER CLOSURE | 2 | | |
| 32 | 3VTVT01070 | | SCREW CSK M3X8 | 8 | | |

KITS

| Ref. | Part N. | Description | Quantity | Validity From | Validity To |
|------------------------|------------|---------------------------------------|----------|---------------|-------------|
| All | 3PMVR01534 | COMPLETE SQUEEGEE ASSY XS | | | |
| 1,6,4,19, 20,21,32 | 3KTRI02193 | BLADE LATCH KIT FOR XS FRONT SQUE. | | | |
| 17,20,4,19 20,31,32 | 3KTRI02194 | BLADE LATCH KIT FOR XS REAR SQUE. | | | |

Dustbane Customer Support

Mailing Address

1000 Last Mile Dr.
Ottawa, ON K1G 6Y1
Canada

Phone

1-800-387-8226

Email

General Inquiries: info@dustbane.ca
Technical Inquiries: techsupport@dustbane.ca

Website

www.dustbane.ca

Support à la clientèle Dustbane

Adresse postale

1000, promenade Last Mile
Ottawa, ON K1G 6Y1
Canada

Téléphone

1-800-387-8226

Courriel

Demandes générales : info@dustbane.ca
Demandes techniques : techsupport@dustbane.ca

Site web

www.dustbane.ca

