

# Parts Manual

## Manuel de pièces

2022-04

# Labrador L21

Auto-Scrubbers / Auto-récurveuses

Code: 19371



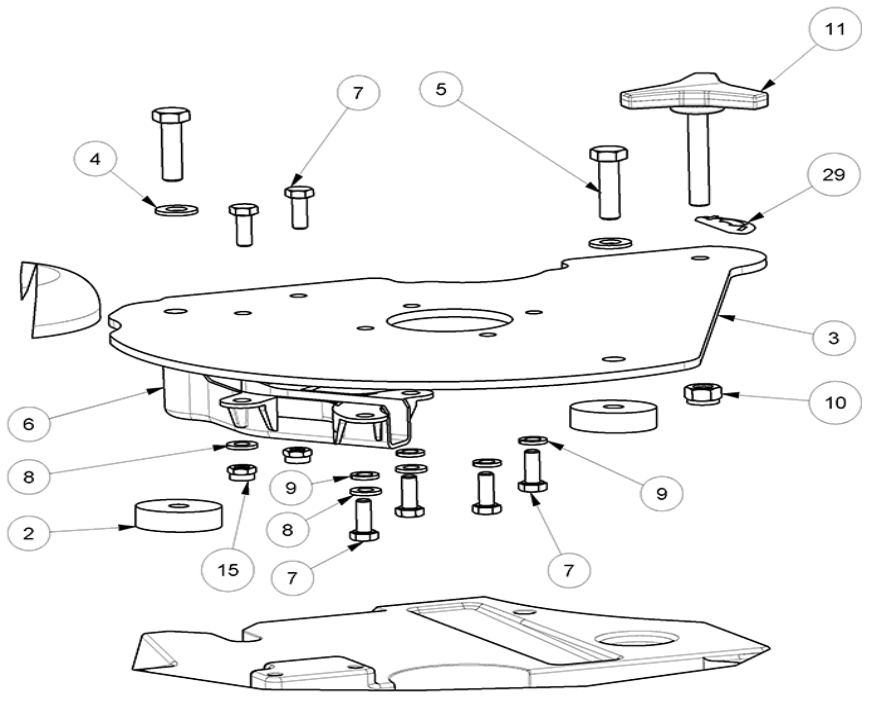
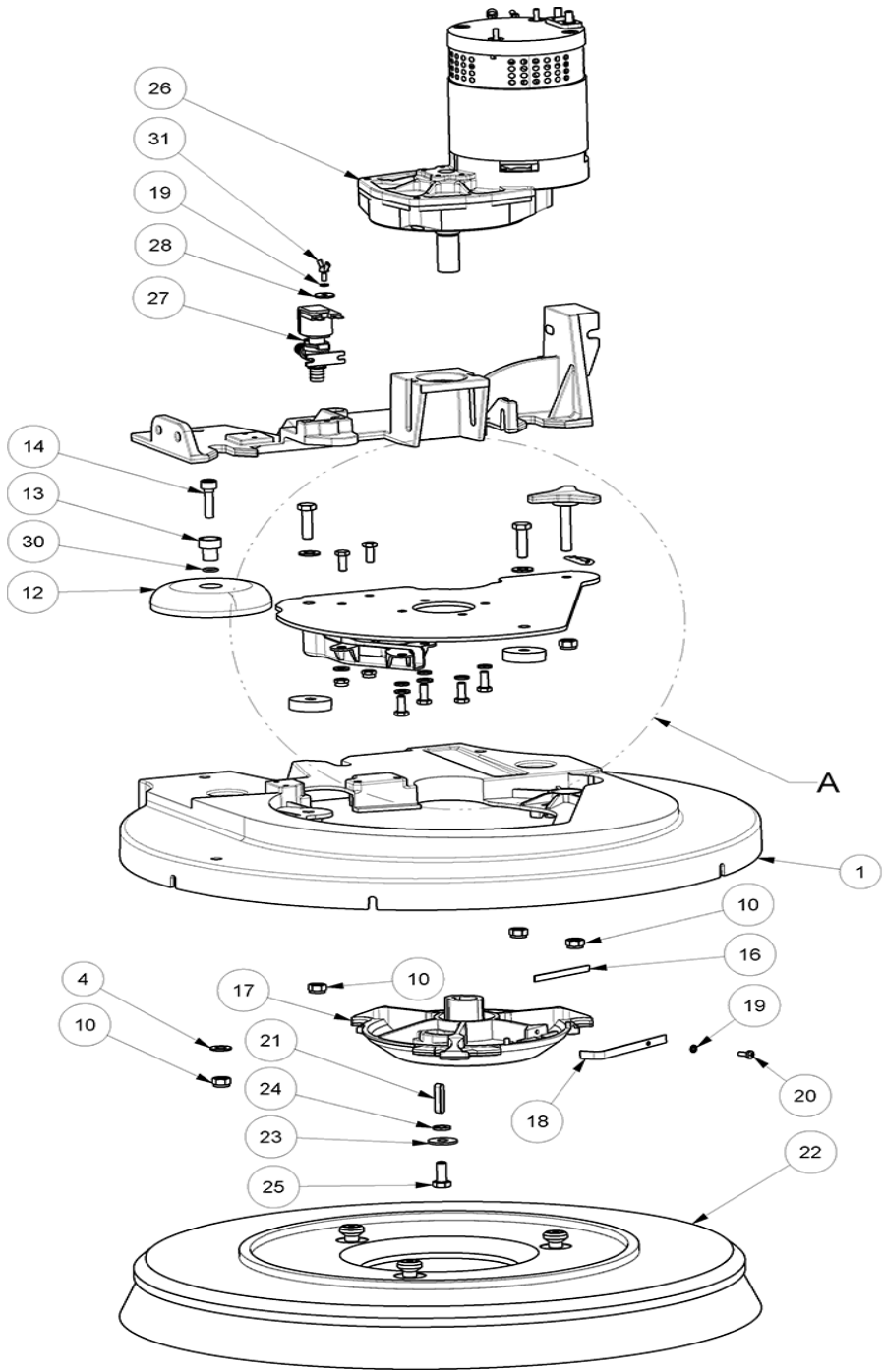
Serial Number / Numéro de série :

Date of Purchase / Date d'achat :

Distributor Name / Nom du distributeur :

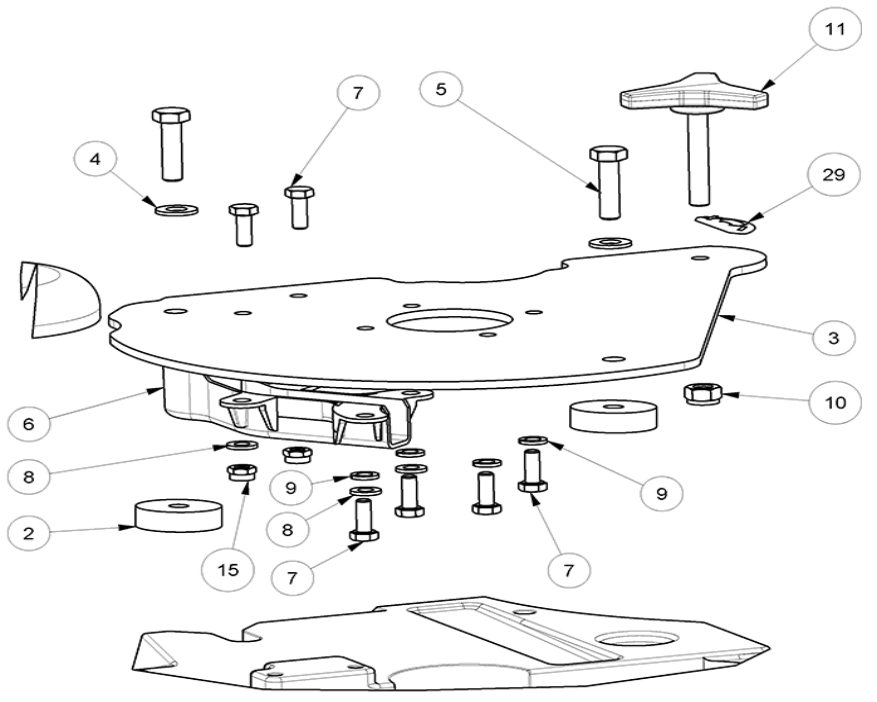
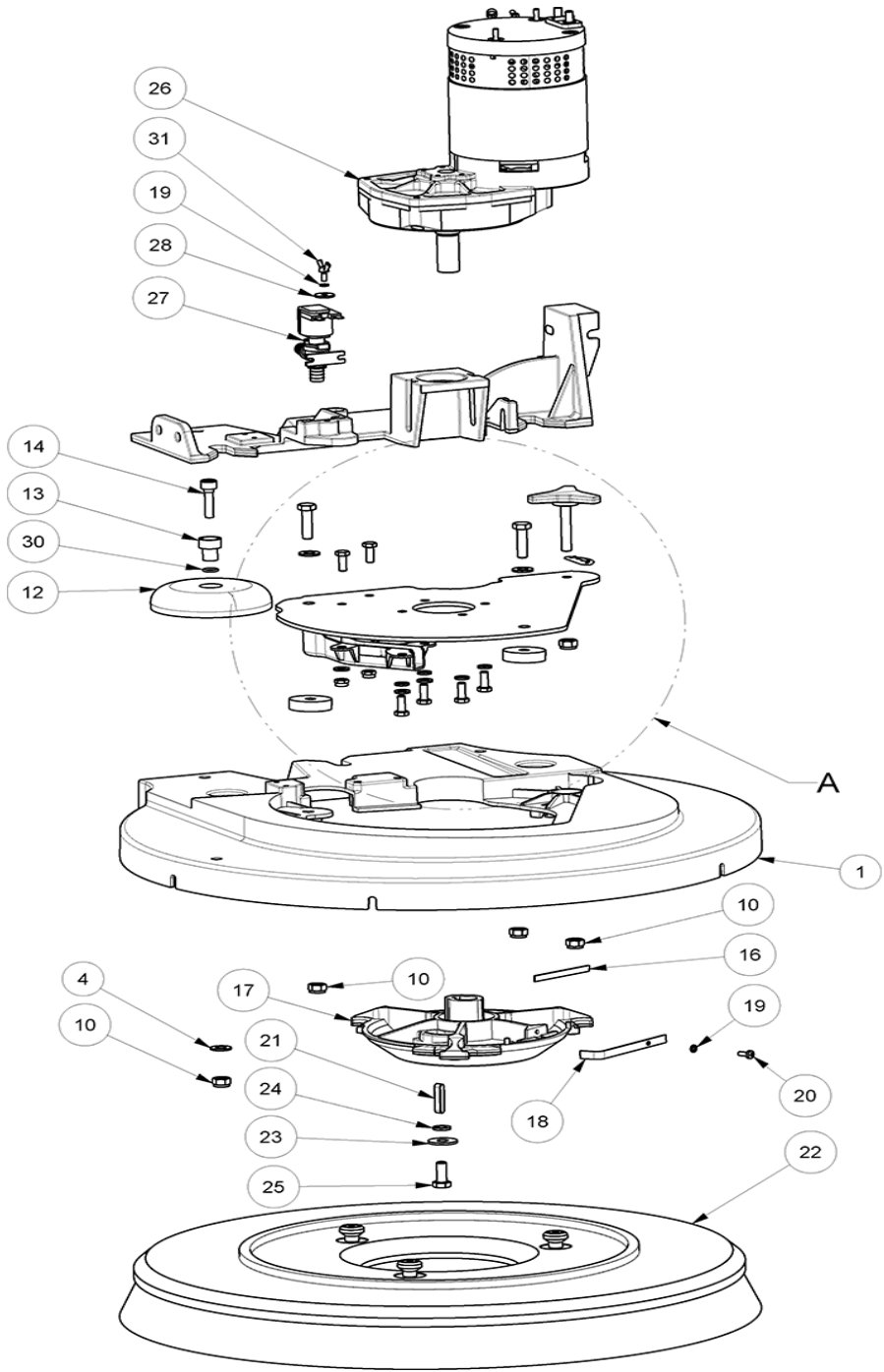


# HEAD



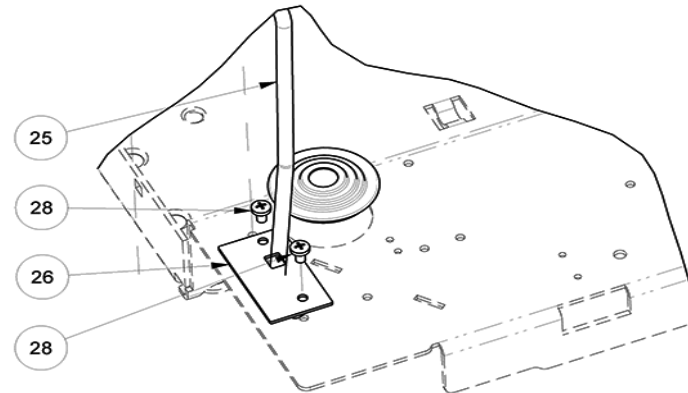
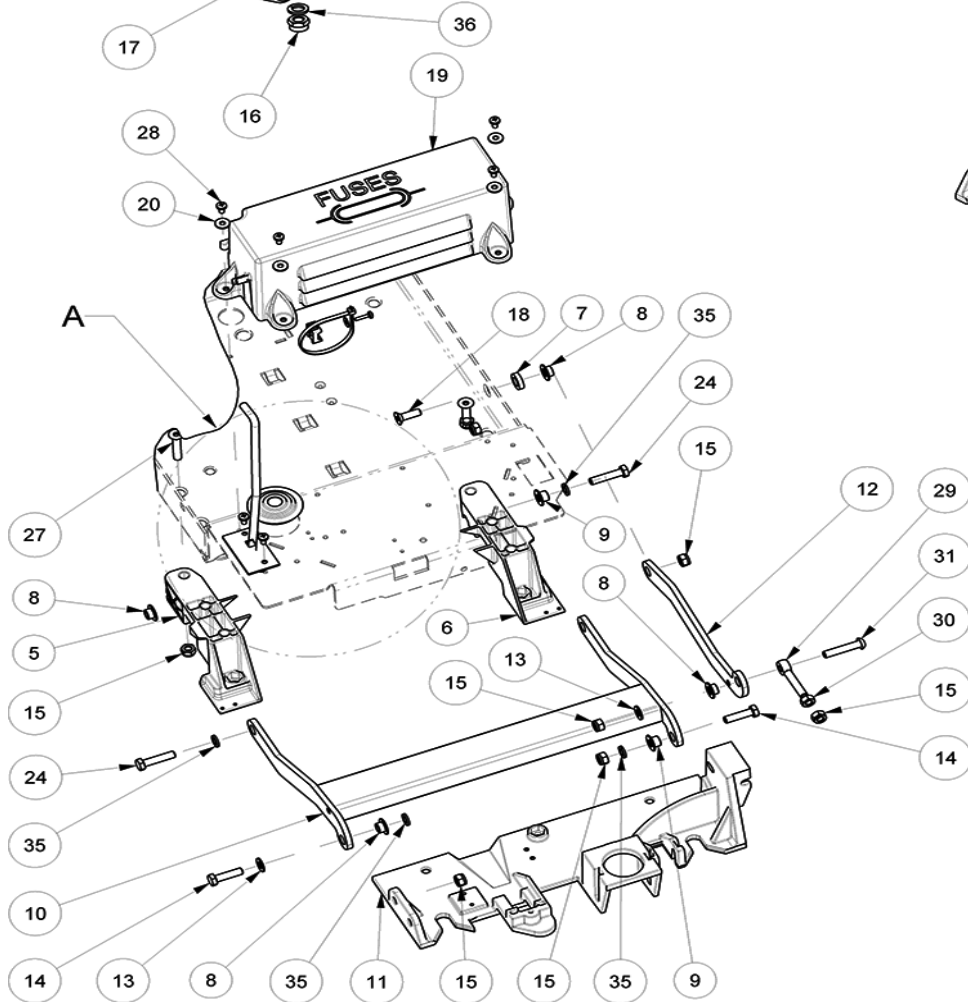
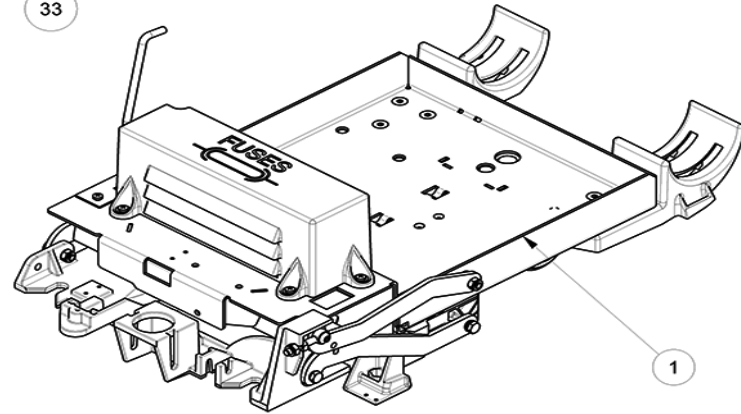
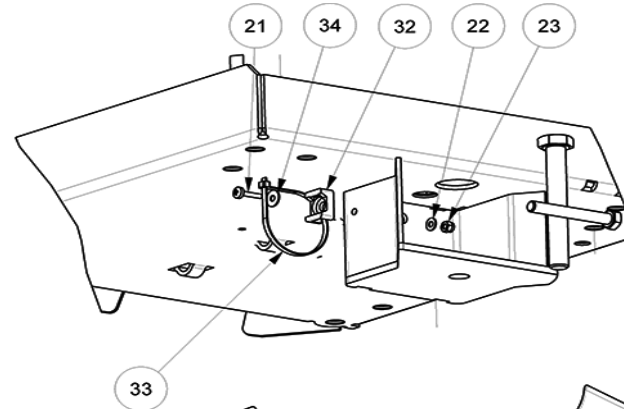
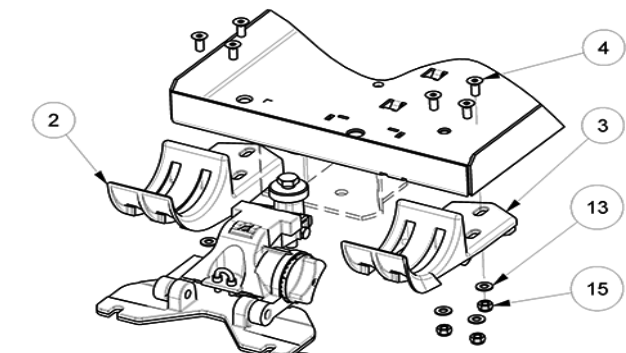
Ref.	Part N.	Alt. Part N.	Description	Quantity	Validity From	Validity To
1	3MFVR00238		HEAD DECK ALUMINIUM 21"	1		
2	3GUVR01012		WASHER 8X35	2		
3	3LAFN09424		PLATE	1		
4	3VTRS13947		WASHER D.8 SS UNI 6592	3		
5	3VTVT01050		SCREW HH M8X30 SS UNI 5737	2		
6	3MPVR06503		TUBE	1		
7	3VTVT15143		SCREW HH 6X16 UNI5739	6		
8	3VTRS00245		WASHER D.6 UNI 6592 SS	4		
9	3VTRS15144		WASHER D. 6 SS UNI 1751	4		
10	3VTDD01695		NUT M8 SS	5		
11	3MPVR10568		HAND KNOB	1		
12	3MPVR05290		ROLLER SIDE BUMPER WHEEL	1		
13	3LAFN03915		BUSHING BUMPER WHEEL	1		
14	3VTVT00822		SCREW SHCS M 8-30	1		
15	3VTDD01694		NUT M6 SS NYL	2		
16	3MLML00470		SPRING	1		
17	3MFVR00242		DRIVE DISK CONICAL ALUMINIUM	1		
18	3MLML00350		SPRING	1		
19	3VTRS15913		WASHER D.4 SPLIT A2 UNI1751	1		
20	3VTVT21887		SCREW 4X10 UNI 8112	2		
21	3VTVR16617		KEY 6X 6X30 UNI 6604	1		
22	3SPPV01352		BRUSH PPL STD	1		
22	3SPPV01351		BRUSH PPL SOFT	1		
22	3SPPV01522		BRUSH TYNEX 1.0 - 120 GRIT	1,		
22	3SPPV01348		PAD DRIVER	1		
23	3VTRS13946		WASHER D. 8 X24 SS UNI 6593	1		
24	3VTRS15146		WASHER SPLIT A2 UNI1751	1		
25	3VTVT13938		SCREW HH 8X20 UNI5739 SS	1		
26	3MOCC00449		MOTOR BRUSH FOR L21	1		

# HEAD



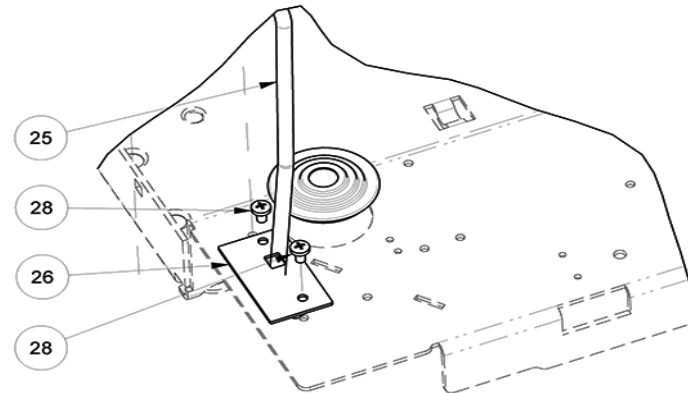
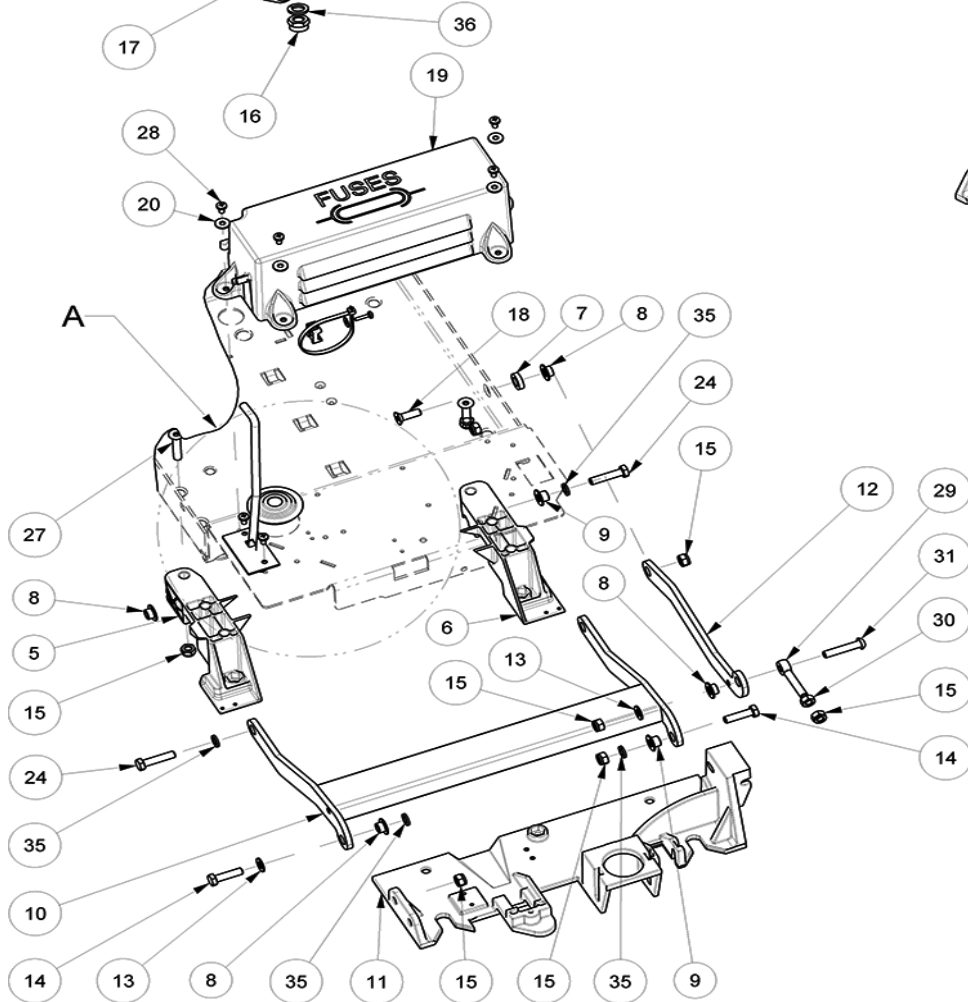
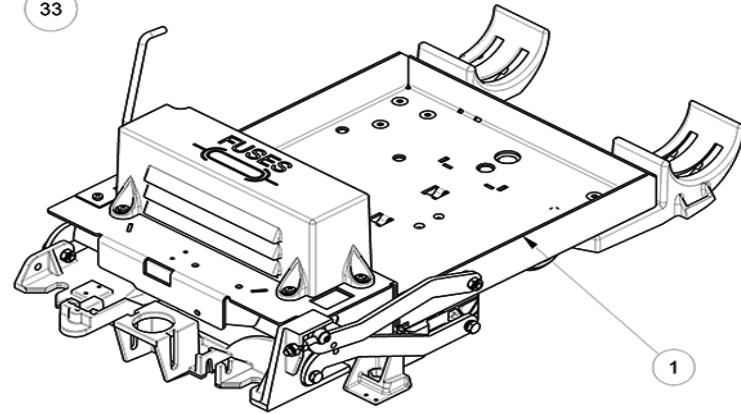
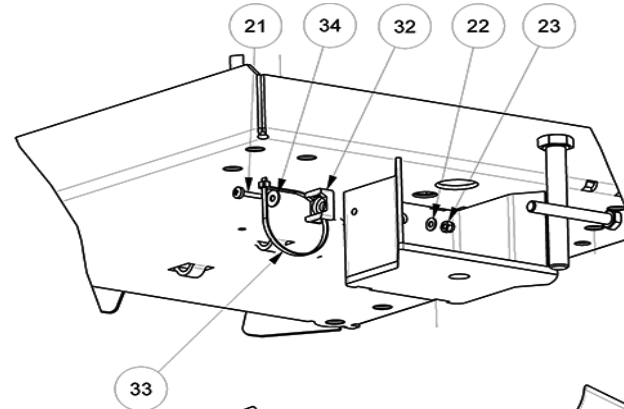
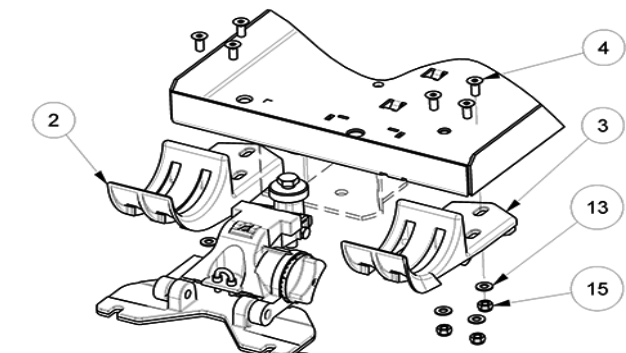
Ref.	Part N.	Alt. Part N.	Description	Quantity	Validity From	Validity To
26	3MEVR02923		CARBON FOR 3MOCC00449-3MOCC00450	1		
27	3MEEV00036		SOLENOID VALVE 24V	1		
28	3VTRS00251		WASHER 4-16 SS A2	1		
29	3ETET20123		LABEL	1		
30	3GUGO00164		GASKET O RING 9.25-12.81	1		
31	3VTVT01150		SCREW 4x10	1		

# FRAME



Ref.	Part N.	Alt. Part N.	Description	Quantity	Validity From	Validity To
1	3LAFN09477		FRAME	1		
2	3MFVR00286		SUPPORT	1		
3	3MFVR00287		SUPPORT	1		
4	3VTVT01352		SCREW SH-CSK M8X20	6		
5	3MFVR00283		SUPPORT	1		
6	3MFVR00284		SUPPORT	1		
7	3LAFN11009		SPACER	1		
8	3LAFN06391		BUSHING BRUSH DECK SUPPORT	4		
9	3LAFN10998		BUSHING	2,		
10	3LAFN09420		ARM	1		
11	3MFVR00240		BRACKET BRUSH HEAD SUPPORT L21	1		
12	3LAFN09421		LEVER	1		
13	3VTRS13947		WASHER D. 8 SS UNI 6592	8		
14	3VTVT00140		SCREW HH M8x30	2		
15	3VTDD01695		NUT M8 SS	15		
16	3VTDD00176		NUT M12 SS NYL. A2	1		
17	3RTRT00518		WHEEL CASTOR D.80X30	1		
18	3VTVT00781		SCREW SH-CSK M8-25	1		
19	3MPVR06505		COVER ELECTRONIC BOX L21	1		
20	3VTRS13750		WASHER D.5X14 SS	4		
21	3VTVT01366		SCREW M4X16	1		
22	3VTRS00515		WASHER D.4 SS	1		
23	3VTDD00055		NUT M4 NYL A2	1		
24	3VTVT00017		SCREW HH UNI 5739 8X35 ZB	2		
25	3LAFN11014		PIN	1		
26	3LAFN11077		PLATE	1		
27	3VTVT01322		SCREW SH-CSK 8X45 UNI 5933 SS	2		
28	3VTVT01297		SCREW M4X8 UNI 8112	6		
29	3VTVR00335		TIE ROD	1		

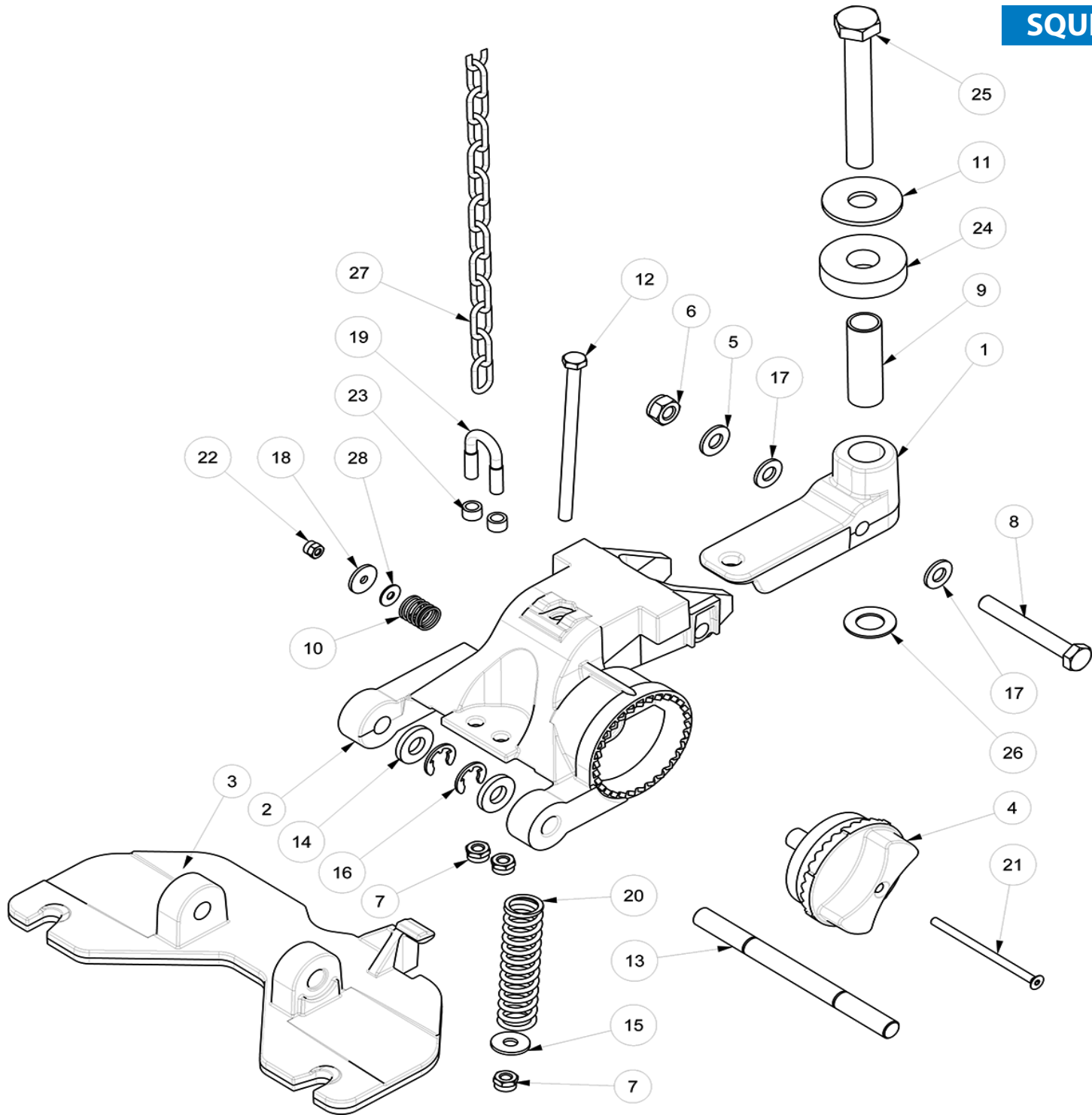
# FRAME





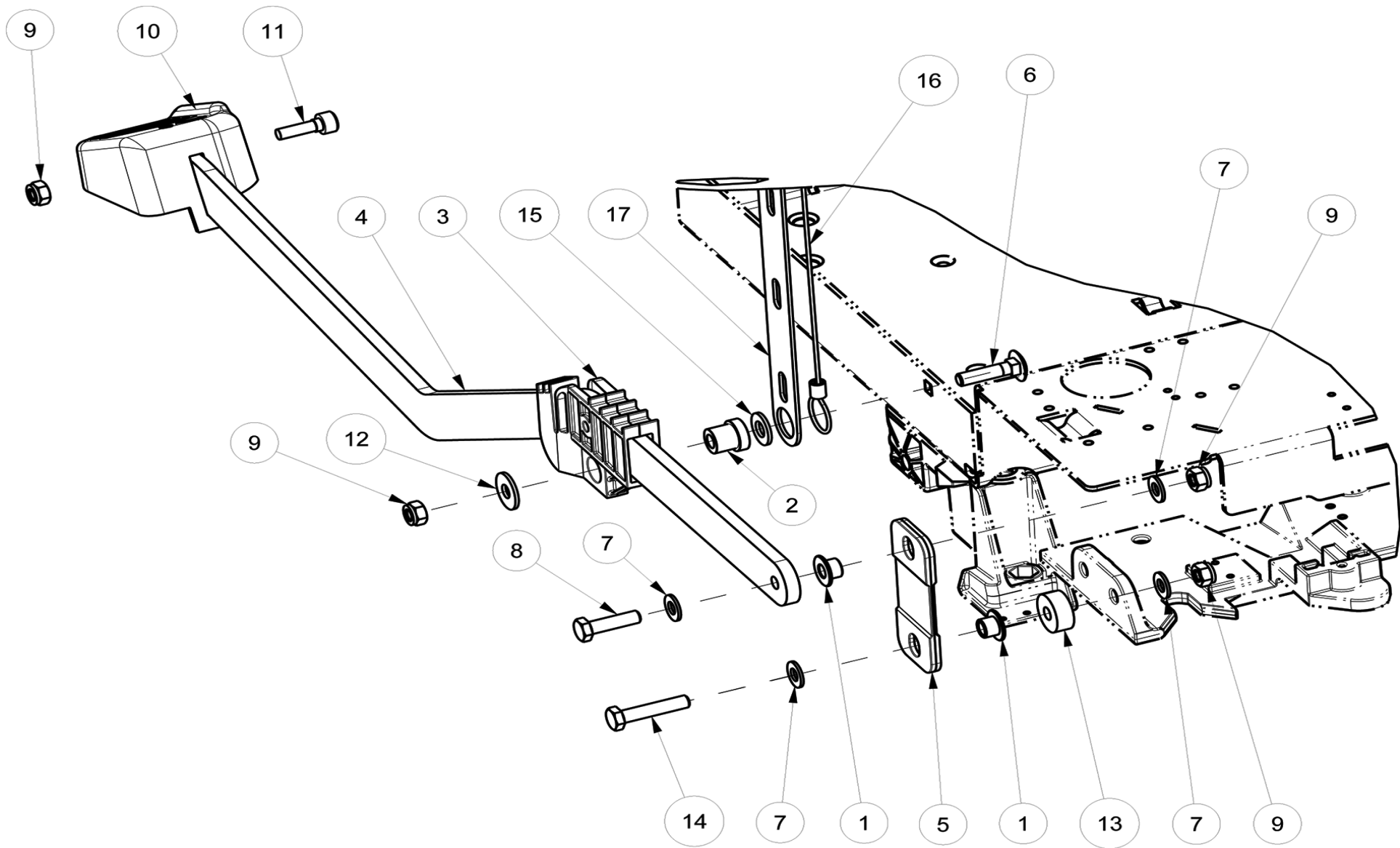
Ref.	Part N.	Alt. Part N.	Description	Quantity	Validity From	Validity To
30	3VTDD15521		NUT M8 SS A2 UNI 5588	1		
31	3VTVT01431		SCREW M8X40	1		
32	3MPVR10765		SUPPORT FOR CLAMP	1		
33	3FSVR00049		CLAMP 4,5x200 BLACK	1		
34	3VTRS00017		WASHER SS 4X12	1		
35	3VTRS15146		WASHER SPLIT A2 UNI1751	4		
36	3VTRS15919		WASHER D.12 SPLIT UNI 1751 SS	1		

# SQUEEGEE SUPPORT



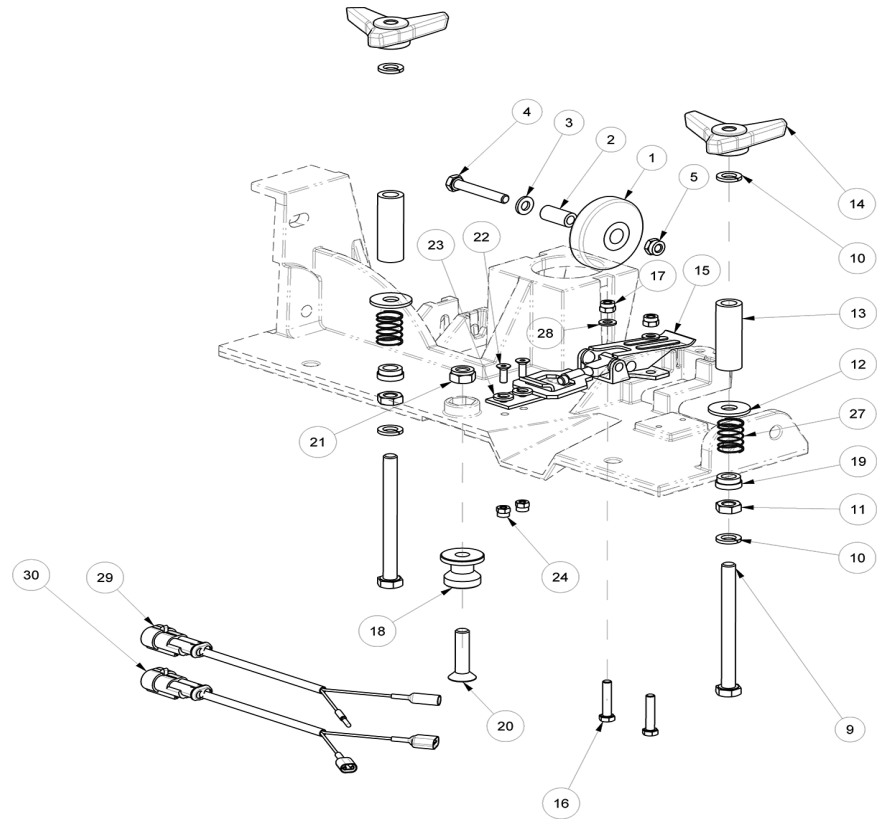
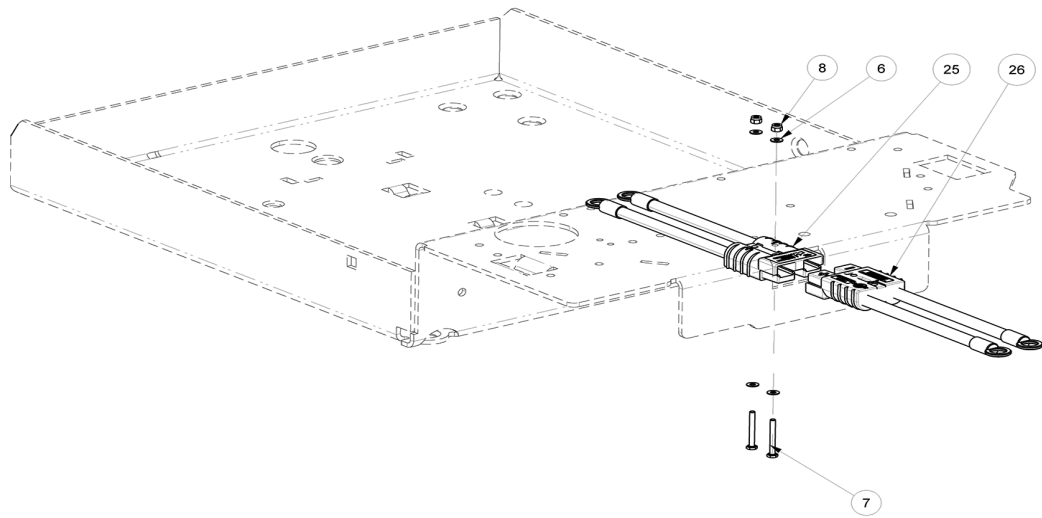
Ref.	Part N.	Alt. Part N.	Description	Quantity	Validity From	Validity To
1	3MFVR00235		SUPPORT PIVOT SQUEEGEE L21\28	1		
2	3MFVR00236		SUPPORT REGULATION SQUEEGEE L21	1		
3	3MFVR00237		SUPPORT SQUEEGEE L21	1		
4	3MPVR06468		KNOB SQUEEGEE ANGLE ADJUSTMENT	1		
5	3VTRS13947		WASHER D.8 SS UNI 6592	1		
6	3VTDD01695		NUT M8 SS	1		
7	3VTDD01694		NUT M6 SS	3		
8	3VTVT01009		SCREW 8X60	1		
9	3LAFN09439		BUSHING 13X16X51	1		
10	3MLML00491		SPRING SQUEEGEE KNOB	1		
11	3VTRS09142		WASHER UNI 6593 12X36X2,5	1		
12	3VTVT01437		SCREW HH M6x100	1		
13	3LAFN09417		PIN FOR SQUEEGEE SUPPORT L21	1		
14	3VTRS00382		WASHER	2		
15	3VTRS13945		WASHER D.6X18 SS UNI 6593	1		
16	3VTAE00012		RETAINING RING UNI 7434 D.10	2,		
17	3VTRS00274		WASHER NYLON 66 D.8,4-17-2 UNI	2		
18	3VTRS00251		WASHER 4-16 SS A2	1		
19	3LAFN09231		BRACKET M6X11X29	1		
20	3MLML00490		SPRING	1		
21	3VTVT01585		SCREW 4X70 UNI 5933	1		
22	3VTDD15925		NUT M4 SS	1		
24	3MPVR06069		WASHER 15X40	1		
25	3VTVT00305		SCREW HH M12 UNI5737 8.8	1		
26	3VTRS88000		WASHER SPRING D13	1		
27	3MTCR00107		CHAIN SQUEEGEE LIFT L21	1		
28	3VTRS00017		WASHER SS 4X12	1	23/05/2018	

# DECK LIFT PEDAL



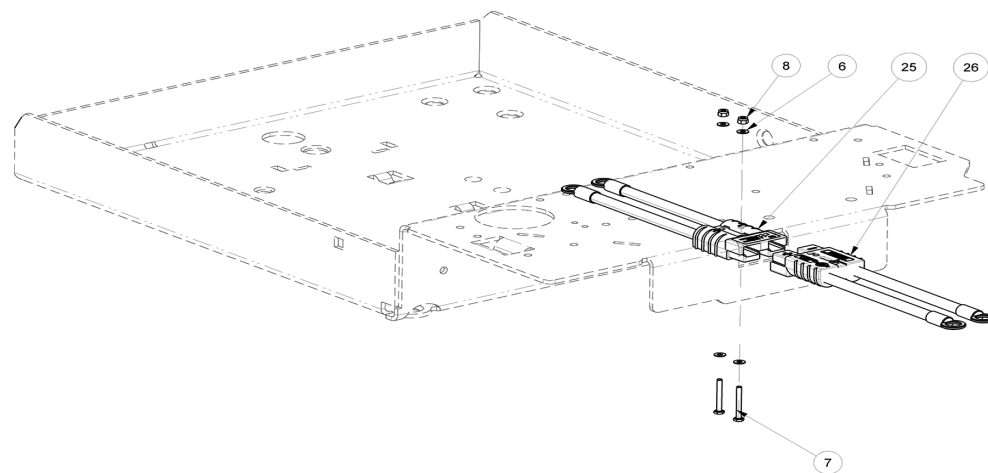
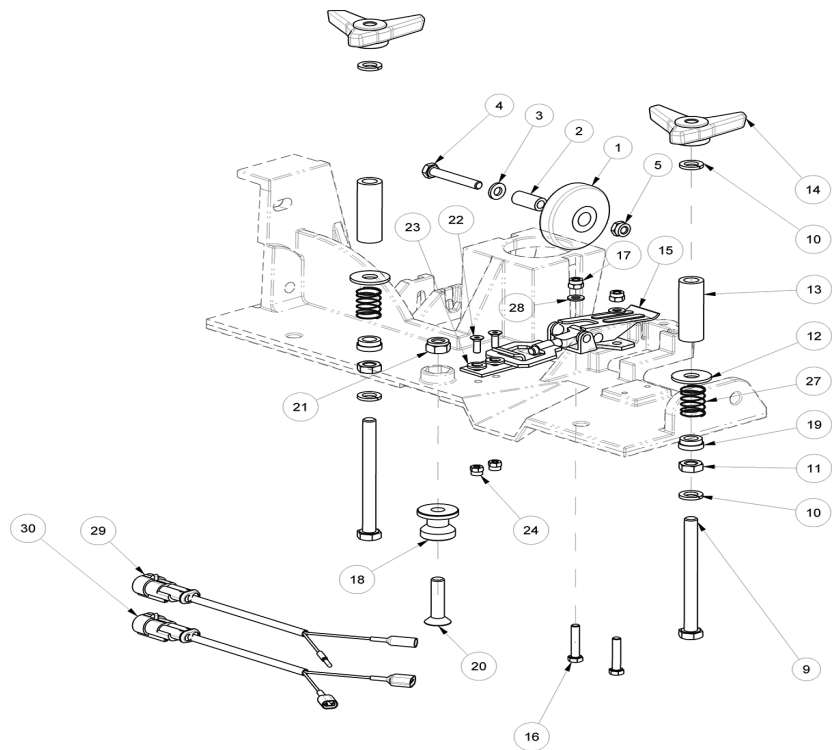
Ref.	Part N.	Alt. Part N.	Description	Quantity	Validity From	Validity To
1	3LAFN10998		BUSHING	2		
2	3LAFN10997		SPACER	1		
3	3MPVR06500		SUPPORT LIFT PEDAL L21	1		
4	3LAFN09427		LEVER PEDAL BRUSH HEAD L21	1		
5	3MPVR06502		PLATE LINK PEDAL-BRUSH HEAD L21	1		
6	3VTVT01143		SCREW CARR. M8X35	1		
7	3VTRS13947		WASHER D.8 SS UNI 6592	4		
8	3VTVT13937		SCREW HH M8X30 SS UNI 5739	1		
9	3VTDD01695		NUT M8 SS	4		
10	3MPVR06471		PEDAL HEAD LIFT	1		
11	3VTVT00639		SCREW SHCS 8X25	1		
12	3VTRS13946		WASHER D. 8 X24 SS UNI 6593	1		
13	3MPVR10793		SPACER	1		
14	3VTVT00708		SCREW HH M. 8-40	1		
15	3VTRS15523		WASHER D.10 X21 SS UNI 6592	1		
16	3CMCV00475		CABLE STEEL SAFETY L21/28	1		
17	3MPVR11573		GUIDE L21/28	1		

# DECK CONNECTION

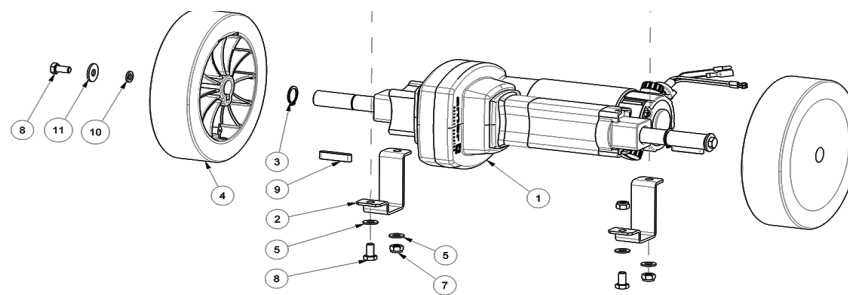
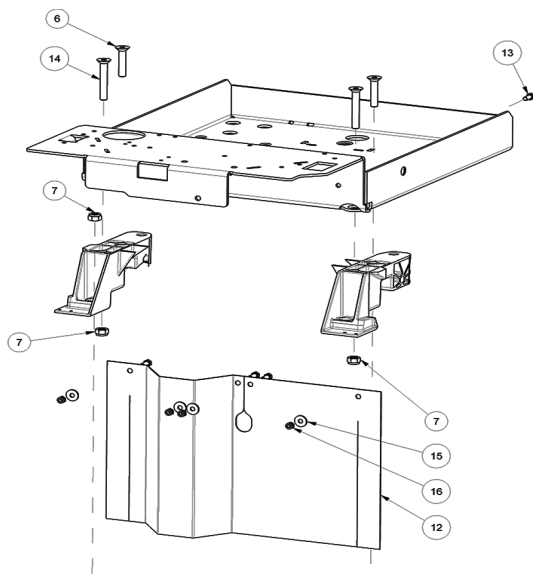


Ref.	Part N.	Alt. Part N.	Description	Quantity	Validity From	Validity To
1	3RTRT00576		WHEEL D.50X17 - HOLE 10.5	1		
2	3MPVR06501		SPACER	1		
3	3VTRS00245		WASHER D.6 UNI 6592 SS	1		
4	3VTVT15145		SCREW HH 6X40 UNI5739 SS	1		
5	3VTDD01694		NUT M6 SS	1		
6	3VTRS21116		WASHER D.3 SS	4		
7	3VTVT00021		SCREW HH UNI 5739 3X25 ZC	2		
8	3VTDD00210		NUT M3 NYL DIN 985 IX.A2	2,		
9	3VTVT01321		SCREW HH 8X90 UNI5739	2		
10	3VTRS15146		WASHER SPLIT A2 UNI1751	4		
11	3VTDD00057		NUT UNI 5589 M8 ZC	2		
12	3VTRS13946		WASHER D. 8 X24 SS UNI 6593	2		
13	3LAFN11002		SPACER	2		
14	3MPVR04164		SMALL KNOB YELLOW M8 F	2		
15	3LAFN09418		HOOK BRUSH HEAD L21	1		
16	3VTVT00766		SCREW HH M. 5-25	2		
17	3VTDD15517		NUT M5 SS	2		
18	3LAFN09419		PIN	1		
19	3LAFN11089		SPACER	2		
20	3VTVT00427		SCREW SH-CSK 8X35 UNI5933 SS	1		
21	3VTDD01695		NUT M 8 SS	1		
22	3VTVT00474		SCREW SH-CSK UNI 5933 4x12 ZC	2		
23	3VTRS15144		WASHER D.6 SS SPLIT UNI 1751	2		
24	3VTDD15925		NUT M 4 SS+ZN	2		
25	3MECB01947		WIRING BOARD BRUSH HEAD L21/28	1		
26	3MECB01946		WIRING BRUSH HEAD MOTORS L21/28	1		
27	3MLML00348		SPRING	2		
28	3VTRS00516		WASHER D.5 SS	2		
29	3MECB02024		WIRING BRUSH MOTOR THERMAL CON.	1		

## DECK CONNECTION



## TRACTION





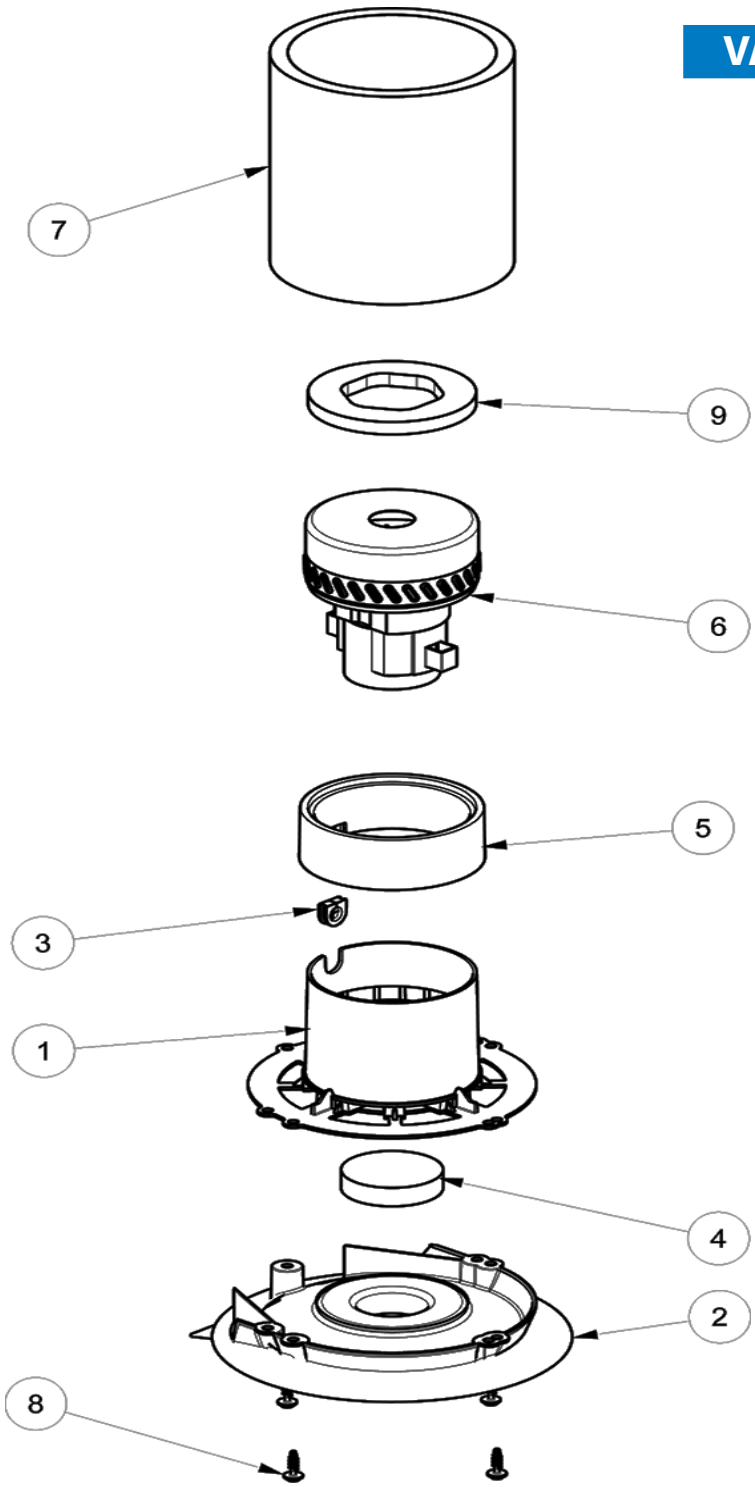
## DECK CONNECTION

Ref.	Part N.	Alt. Part N.	Description	Quantity	Validity From	Validity To
30	3MECB02066		WIRING THERMAL MOTOR BRUSH	1		

## TRACTION

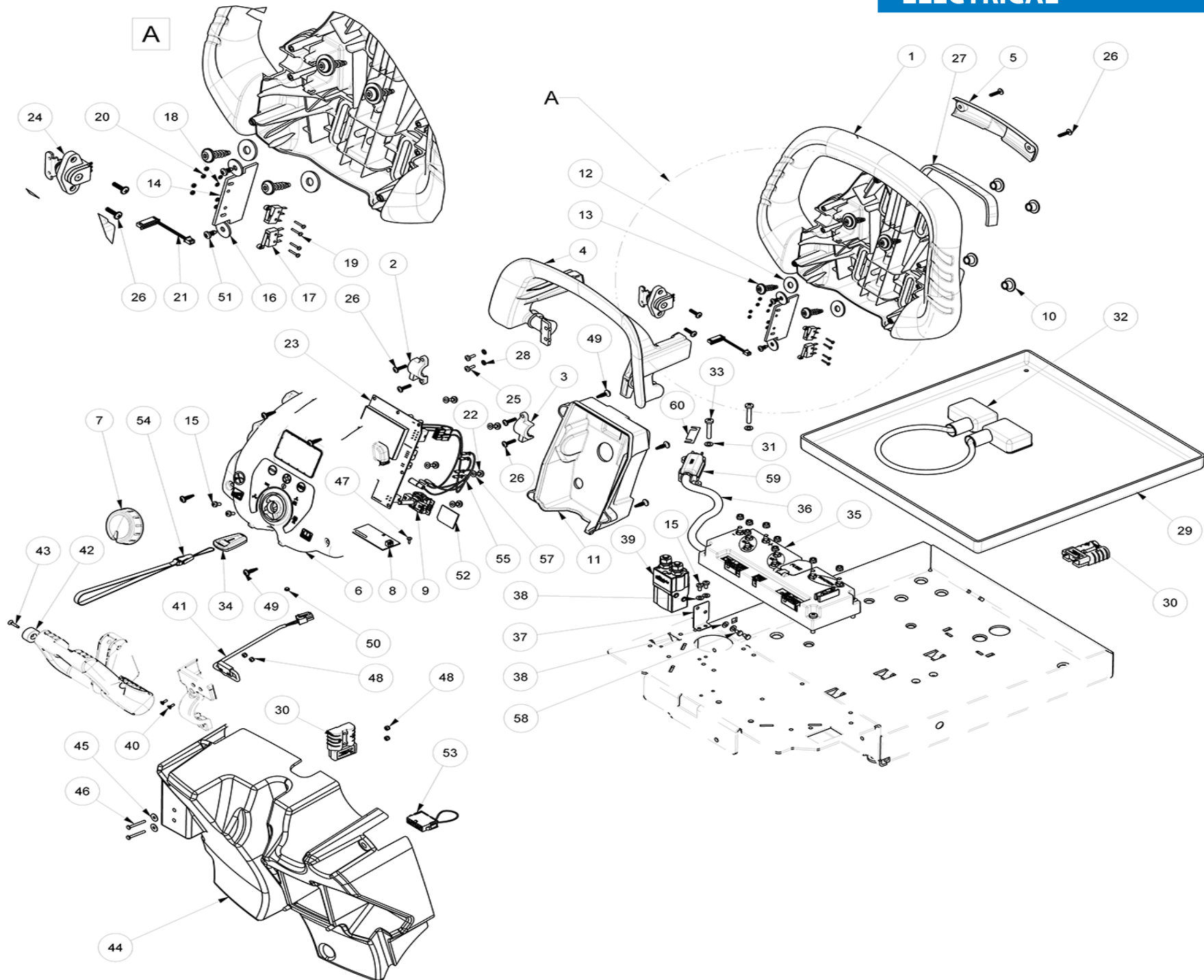
Ref.	Part N.	Alt. Part N.	Description	Quantity	Validity From	Validity To
1	3MOCC00465		MOTOR TRACTION 24V 200W	1		
1	3MOCC00022		CARBONS FOR 3MOCC86902-3MOCC00395	1		
2	3LAFN09453		SUPPORT TRACTION MOTOR L21	2		
3	3VTAE06193		CIRCLIP D. 20 UNI 7435	2		
4	3RTRT00546		WHEEL D.200	2		
5	3VTRS13947		WASHER D. 8 SS UNI 6592	4		
6	3VTVT01589		SCREW M8X40 UNI933 A2	2		
7	3VTDD01701		NUT M8 SS	6		
8	3VTVT15916		SCREW HH M8X16 UNI 5739 A2	4		
9	3VTVR00566		KEY 6X10X40 UNI 6604 A (H.10)	2		
10	3VTRS15146		WASHER SPLT A2 SS UNI1751	2		
11	3VTRS13946		WASHER D.8X24 SS UNI 6593	2		
12	3MPVR10760		FLAP TRACTION MOTOR L21	1		
13	3VTVT01300		SCREW HH M5X12 SS	4		
14	3VTVT00992		SCREW M8x55 SS	2		
15	3VTRS13750		WASHER D. 5X14 SS	4		
16	3VTDD01693		NUT M5 SS	4		

VACUUM



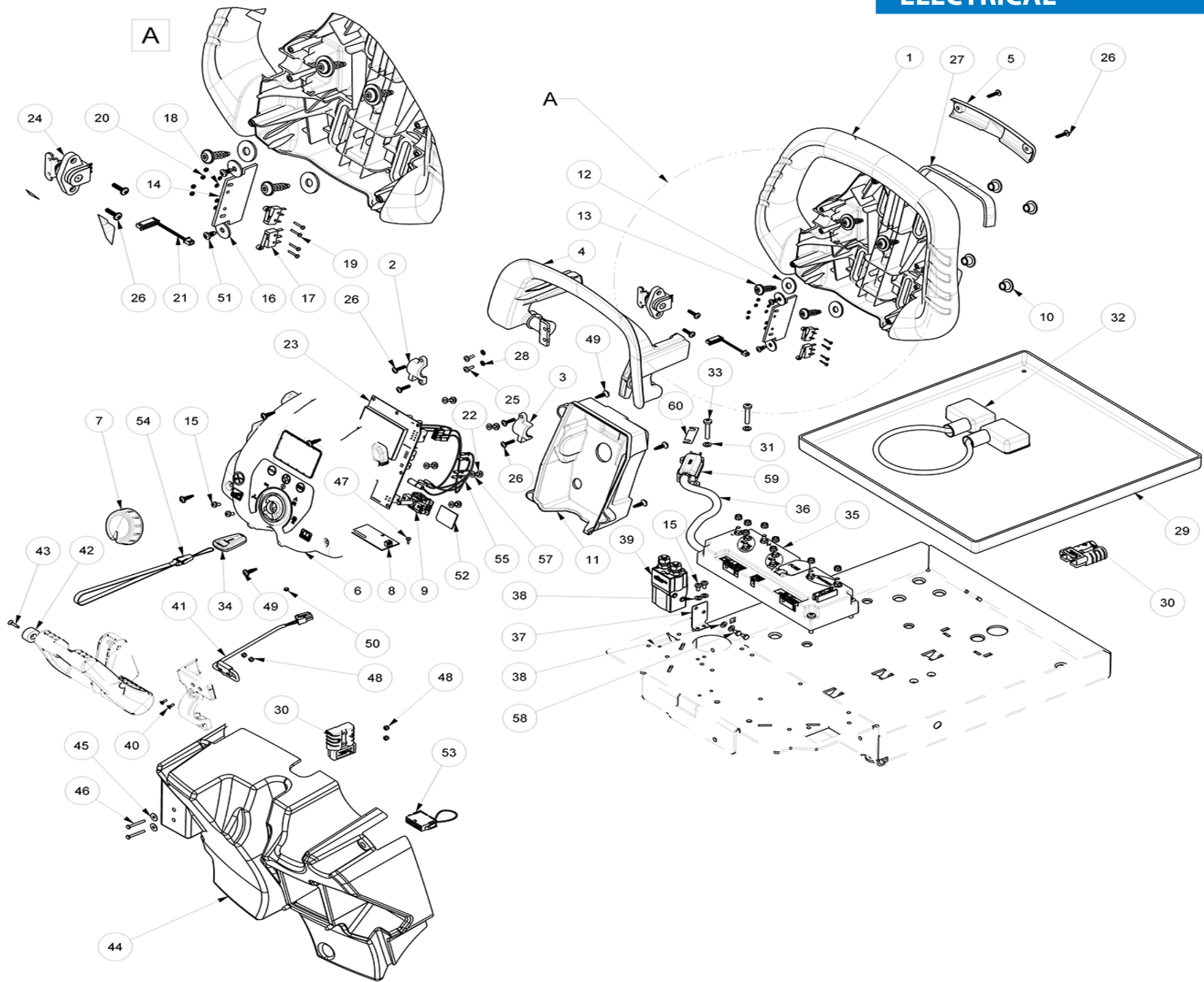
Ref.	Part N.	Alt. Part N.	Description	Quantity	Validity From	Validity To
1	3MPVR06466		SUPPORT VACUUM MOTOR 2 STAGE FOR L21\28	1		
2	3MPVR06480		COVER VACUUM MOTOR FOR L21\28	1		
3	3GUGO00496		GROMMET 14-747	1		
4	3FTAC00072		FILTER VACUUM INTAKE	1		04/07/2018
5	3GUGO00466		GASKET RUBBER VACUUM MOTOR L21	1		
6	3MOCC00417		MOTOR VACUUM 24V 2-STAGES	1		04/07/2018
6	3MEVR02377		CARBON BRUSHES FOR MOCC00401-407	1		04/07/2018
6	3MOCC00349		MOTOR VACUUM 2 STAGES 24V	1	05/07/2018	
6	3MEVR05200		CARBON BRUSH VACUUM 116599-XX	1	05/07/2018	
7	3ITSO00076		SOUND-PROOFING VAC. MOTOR EXTERNAL	1		
8	3VTVT01427		SCREW STS KN1038 8x25 - T40 A2	4		
9	3GUGO00509		GASKET VACUUM MOTOR L21\28	1		

# ELECTRICAL



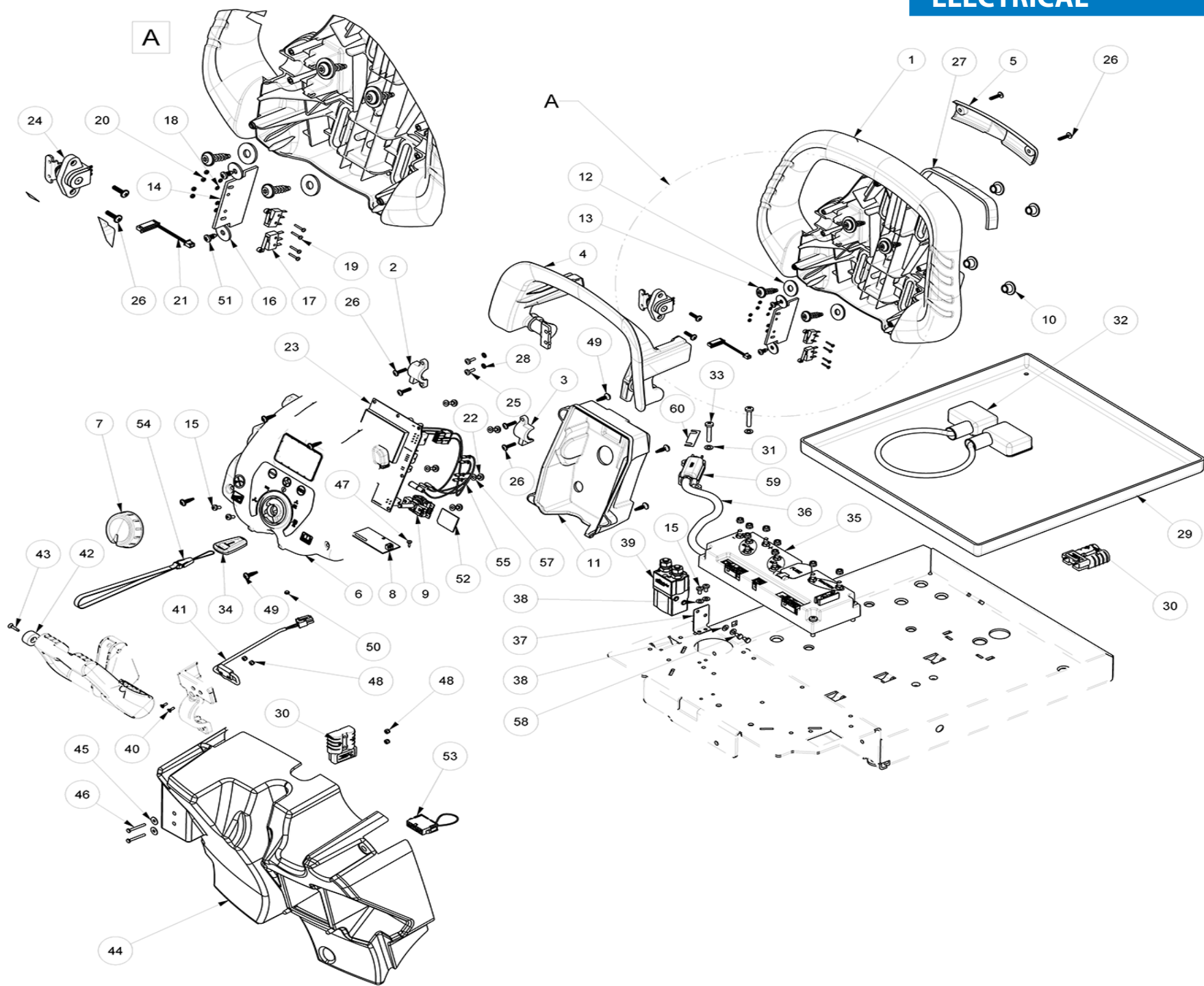
Ref.	Part N.	Alt. Part N.	Description	Quantity	Validity From	Validity To
1	3MPVR06525		HANDLE GRIP L21	1		
2	3MPVR06528		SUPPORT	1		
3	3MPVR07177		SUPPORT	1		
4	3MPVR06526		LEVER DIRECTION L21/28	1		
5	3MPVR10694		CAP	1		
6	3MPVR10744		COVER UPPER L21/28	1		
7	3MPVR06527		KNOB DIAL SELECTOR L21/28	1		
8	3MECE00743		BOARD KEY READER L21/28	1		23/07/2018
8	3MECE00804		BOARD KEY READER L21/28 XP	1	24/07/2018	
9	3MECI00587		SELECTOR DIAL SWITCH L21/28	1		
10	3LAFN10998		BUSHING	4		
11	3MPVR11640		COVER L21	1		
12	3VTRS13946		WASHER D.8X24 SS UNI 6593	4		
13	3VTVT01427		SCREW STS KN1038 8x25 - T40 A2	4		
14	3MPVR11198		SPACER	1		
15	3VTVT00813		SCREW M4X8 UNI 8112	4		
16	3VTRS00291		WASHER D.5 X20 ZC UNI 6593	2		
17	3MECI00588		MICROSWITCH	2		
18	3VTRS00581		WASHER D.2	4		
19	3VTVT01592		SCREW 2X12	4		
20	3VTDD00213		NUT M2	4		
21	3MECB01938		WIRING CONNECTION RFID READ	1		23/07/2018
21	3MECB02058		WIRING CONNECTION READ L21/28	1	24/07/2018	
22	3VTVT01694		SCREW, STS 5X10 UNI 9707 SS	5		
23	3MECE00745		BOARD DISPLAY L21	1		23/07/2018
23	3MECE00810		BOARD DISPLAY L21/28	1	24/07/2018	
24	3MEVR02389		POTENTIOMETER WIG WAG FOR L21/24/28	1		
25	3VTVT37012		SCREW CR PH M4X10 SS	2		
26	3VTVT01071		SCREW STS KN1031-Neu 4x16 - H2	8		

# ELECTRICAL



Ref.	Part N.	Alt. Part N.	Description	Quantity	Validity From	Validity To
27	3MPVR10772		GASKET	1		
28	3VTRS15913		WASHER D. 4 SPLIT A2 UNI1751	2		
29	3LAFN35588		BATTERY TRAY	1		
30	3MEVR01079	19421	CHARGER CLIP RED 50 AMP	1		
31	3VTRS00516		WASHER D. 5 SS	4		
32	3MEVR34820		WIRING BATTERY BRIDGE W/TERMINAL	1		
33	3VTVT01440		SCREW	4		
34	3MEVR02391		KEY COMPLETE WITH RFID	2		
35	3MECE00812		BOARD TRACTION L21/28 COMPLETE	1		
36	3MECB01919		WIRING MAIN HARNESS L21	1		
37	3LAFN11075		BRACKET	1		
38	3VTRS00515		WASHER D. 4 SS	4		
39	3METT00085		CONTACTOR 100A	1		
40	3VTVT01070		SCREW M3X8	2		
41	3MECI00626		SENSOR SQUEEGEE L21	1		
42	3MEVR02381		MAGNET SQUEEGEE LEVER L21	1		
43	3VTVT17357		SCREW 3.9X16 UNI 6955	1		
44	3MPVR06467		COVER BATTERY CHARGER L21\28	1		
45	3VTRS00017		WASHER SS 4X12	2		
46	3VTVT00021		SCREW HH UNI 5739 3X25 ZC	2		
47	3VTVT00522		SCREW 2.9X 9.5 UNI 6954	1		
48	3VTDD00210		NUT M3 NYL DIN 985 IX.A2	4		
49	3VTVT01072		SCREW STS KN1038 5x16 - T20 A2	4		
50	3MPVR10701		RUBBER KEY HOLD L21	1		
51	3VTVT48694		SCREW PH STS 5X12 UNI 9707 TZ	2		
52	3MEVR02097		SD-CARD	1		
53	3MECB01981		WIRING BRIDGE L21 W/O CHARGER	1		
54	3MPVR11496		CORD	1		
55	3MECB02017		WIRING	1		

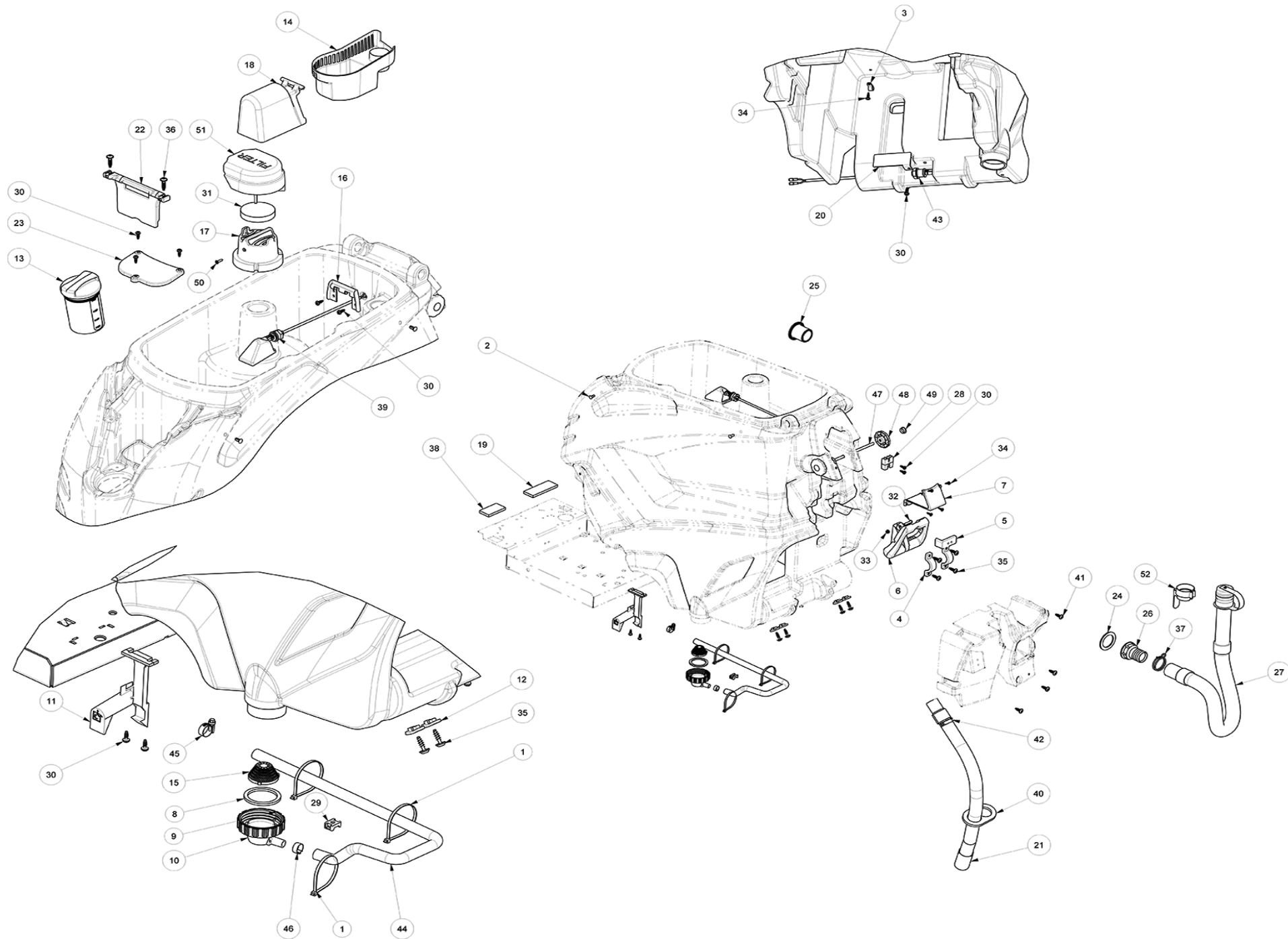
# ELECTRICAL





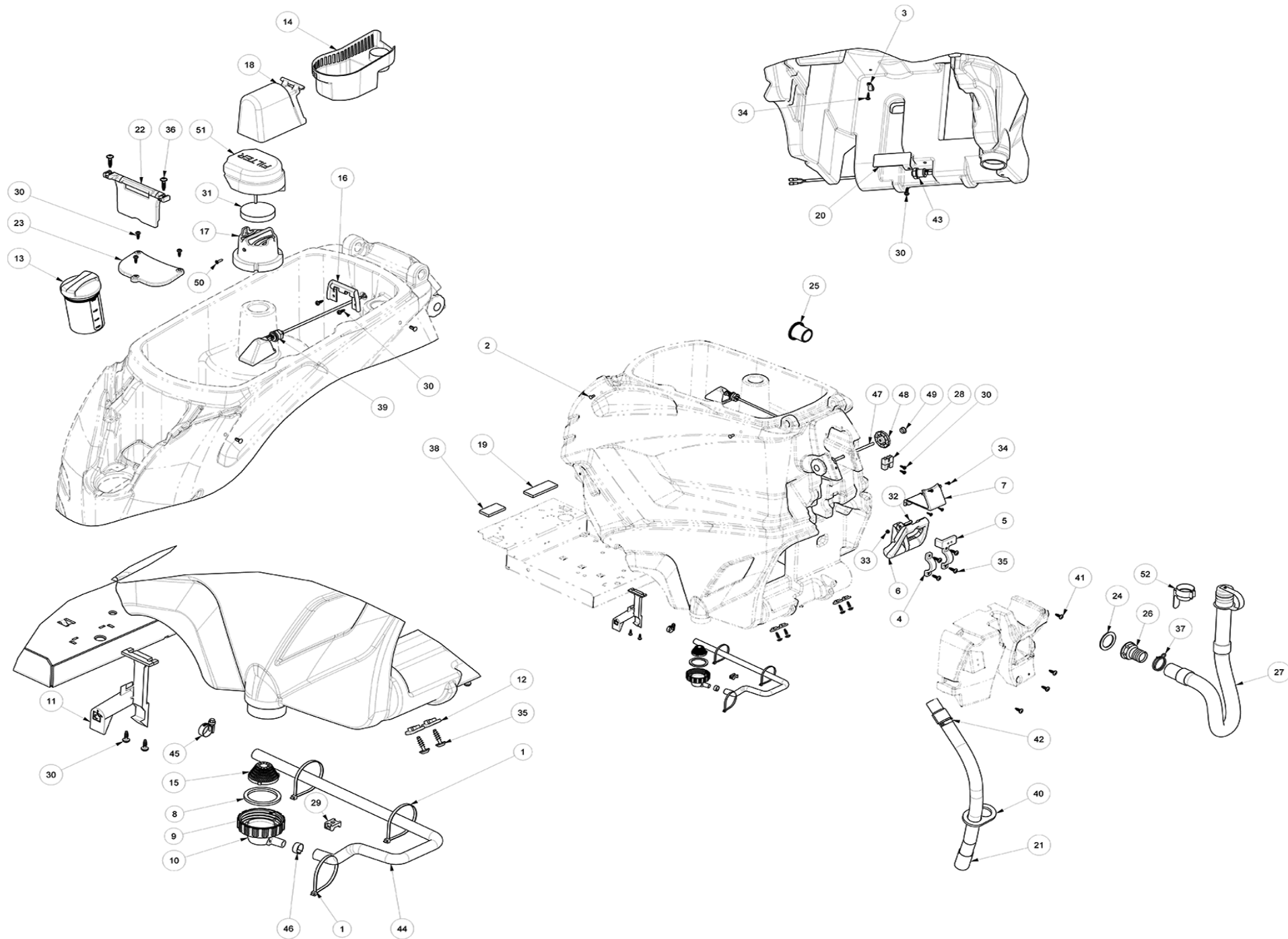
Ref.	Part N.	Alt. Part N.	Description	Quantity	Validity From	Validity To
56	3VTDD01693		NUT M5 SS	8		
57	3VTRS00570		WASHER	5		
58	3VTVT01669		SCREW M4x6 UNI5739	2		
59	3MEVR02907		FUSE-HOLDER	1		
60	3MEVR00604		FUSE	1		
NA	19409		BATTERY 12V AGM 110AH	2		

# TANKS



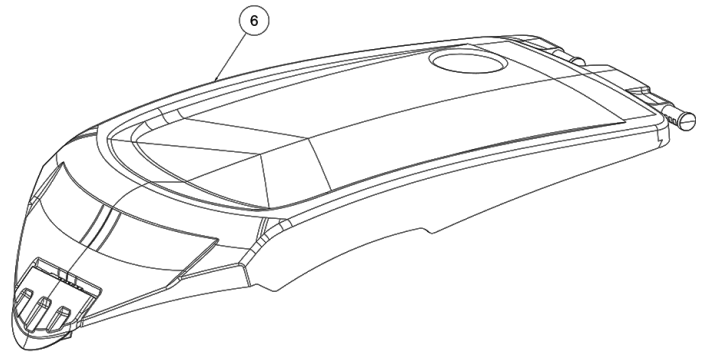
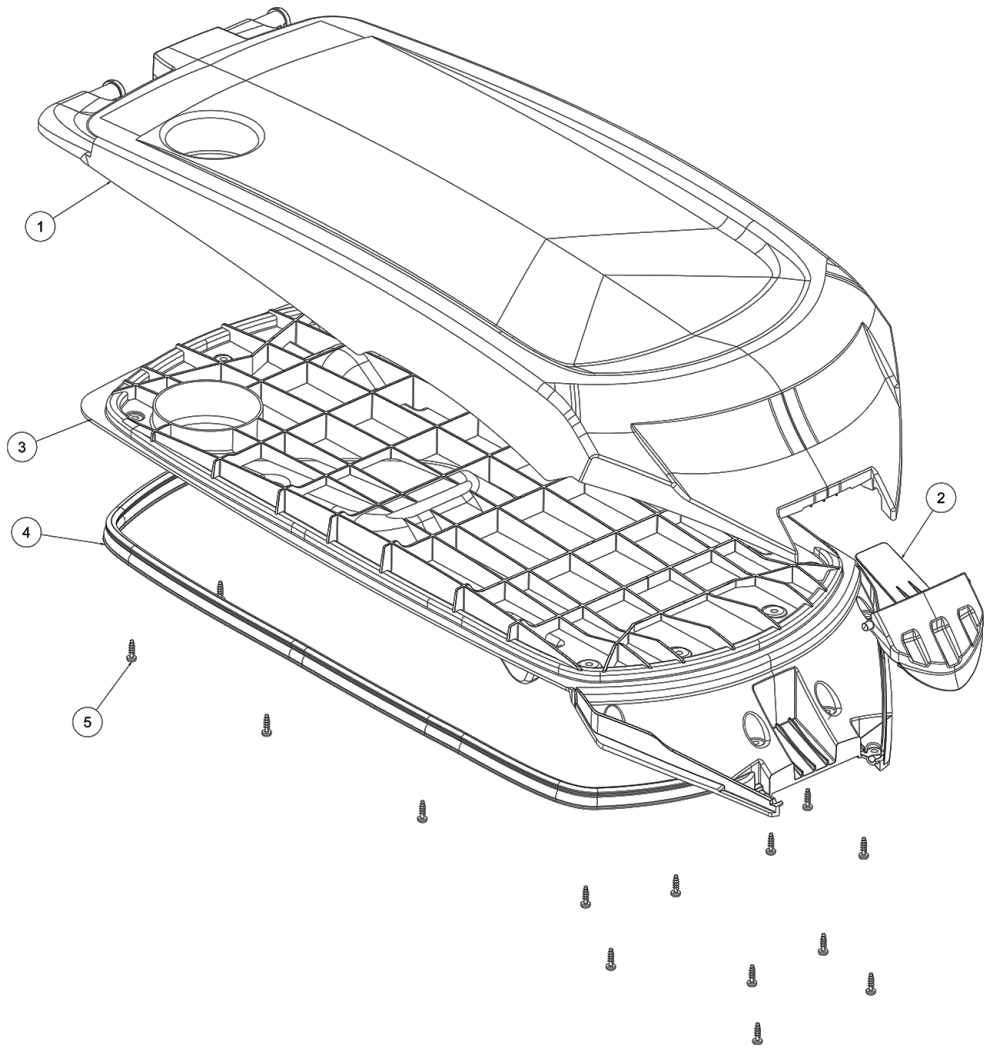
Ref.	Part N.	Alt. Part N.	Description	Quantity	Validity From	Validity To
1	3FSVR00049		CLAMP 4,5x200 black	3		
2	3MPVR11355		CLIP	2		
3	3MPVR02933		DUCT LOCK D.9,5	1		
4	3MPVR06470		PLATE	1		
5	3MPVR10564		SUPPORT	1		
6	3MPVR06469		HANDLE SQUEEGEE LIFT L21/28	1		
7	3MPVR10571		FLANGE	1		
8	3GUGO00478		GASKET SOLUTION FILTER L21	1		
9	3MPVR06561		FILTER CAP SOLUTION TANK L21\28	1		
10	3MPVR10566		HOSE FITTING SOLUTION FILTER L21	1		
11	3MPVR06475		LEVER TANK LOCKING L21	1		
12	3MPVR10562		SLIDE	4		
13	3MPVR11497		CAP SOLUTION TANK	1		
14	3MPVR06490		FILTER DEBRIS COLLECTOR	1		
15	3MPVR10565		FILTER SOLUTION TANK L21\28	1		
16	3MPVR10576		SUPPORT	1		
17	3MPVR11676		SUPPORT FILTER L21\28	1		
18	3MPVR06560		PROTECTION	1		
19	3MPVR11766		SHIM 110X40X8,5	1		
20	3LAFN11043		BRACKET	1		
21	3TBFX00353	3KTRI04696	HOSE SUCTION	1		
22	3MPVR10731		SUPPORT	1		
23	3MPVR10732		COVER	1		
24	3GUGO00216		GASKET TANK DRAIN HOSE CUFF	1		
25	3RCVR00339		CONNECTOR RIF.220.060	1		
26	3RCVR01103		CONNECTOR 1"1/2F d.45	1		
27	3TBFX01069		HOSE DRAIN RECOVERY TANK L21	1		
28	3MPVR11684		JOINT HOSE	1		
29	3MPVR10765		SUPPORT FOR CLAMP	1		

# TANKS



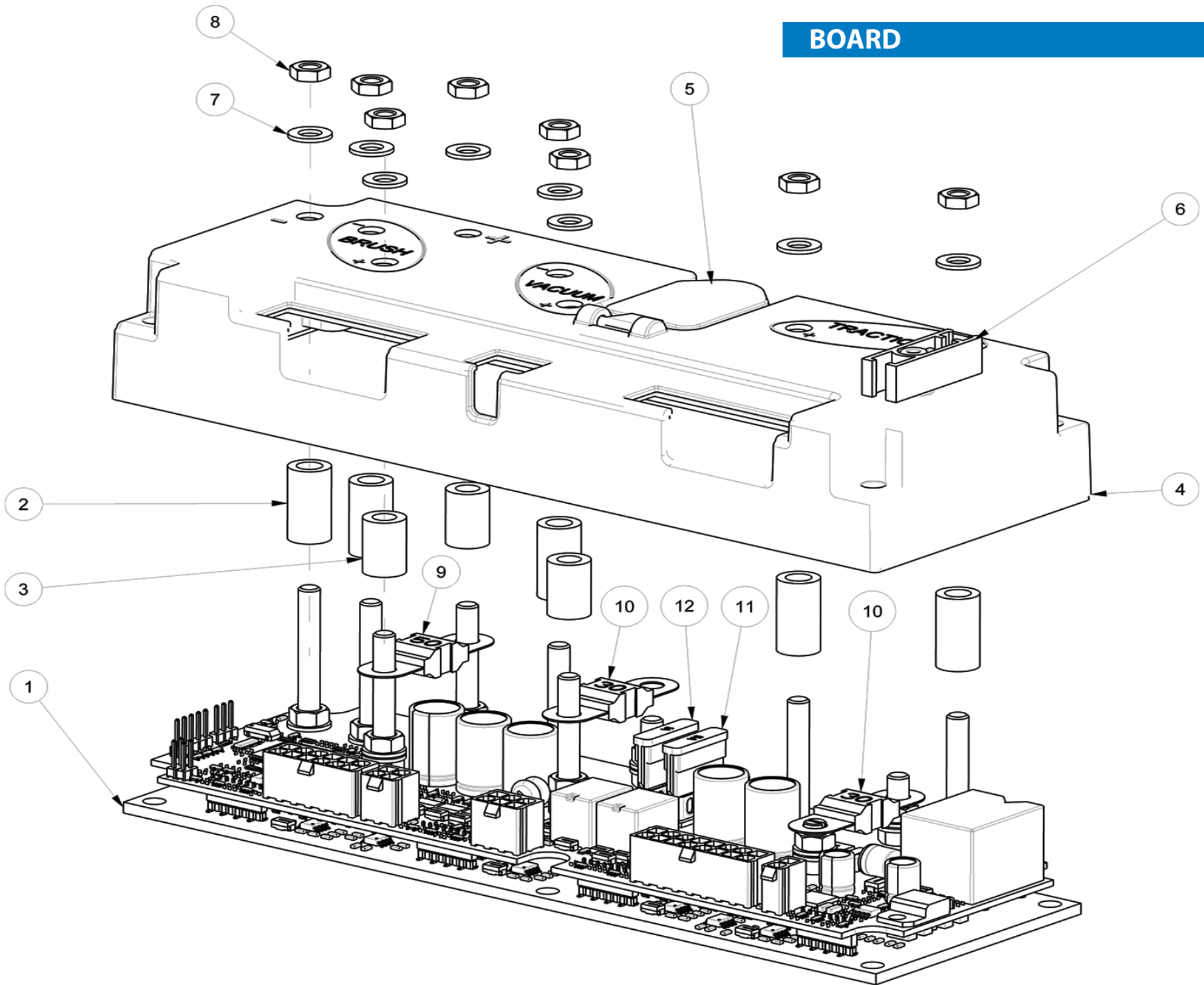
Ref.	Part N.	Alt. Part N.	Description	Quantity	Validity From	Validity To
30	3VTVT01073		SCREW STS KN1039 6x16 - T25 A2	10		
31	3FTDP00678		FILTER VACUUM MOTOR L21	1		
32	3VTVT01714		SCREW BHSCS 6X30	1		
33	3VTDD01694		NUT, NYL M6 SS	1		
34	3VTVT01072		SCREW STS KN1038 5x16 - T20 A2	5		
35	3VTVT01427		SCREW STS KN1038 8x25 - T40 A2	8		
36	3VTVT01429		SCREW STS KN1038 8x30 - T40 A2	2		
37	3FSVR00262		CLAMP	1		
38	3MPVR11767		SHIM 75X40X8,5	1		
39	3MECI00662		FLOAT SENSOR - RECOVERY TANK	1	21/06/2018	
40	3MPVR04659		FLANGE	1		
41	3VTVT01430		SCREW STS KN1038 8x22 - T40 A2	4		
42	3MPVR06119		CLAMP INDICATION , YELLOW	1		
43	3MECI00592		SENSOR SOLUTION TANK L21\28	1		
44	3TBFX48011		HOSE CLEAR FLEX D.12X3 PVC - 40"	1		
45	3FSVR00428		CLAMP D.12-20	1		
46	3FSVR00261		CLAMP	1		
47	3VTVR01001		BAR	1		
48	3MPVR06478		SMALL KNOB WHEEL ADJUSTMENT	2		
49	3MPVR06479		CAP	2		
50	3VTVT00835		SCREW 4.5-20 DIN 7505-A SS	1		
51	3MPVR11641		COVER FILTER L21	1		
52	3MPVR01097		HOOK DRAIN HOSE	1		

LID



Ref.	Part N.	Alt. Part N.	Description	Quantity	Validity From	Validity To
1	3MPVR06476		COVER RECOVERY TANK EXTERNAL	1		
2	3MPVR06477		LEVER CLOSURE LID CT51	1		
3	3MPVR10696		COVER RECOVERY TANK INTERNAL	1		
4	3GUVR01019		GASKET RECOVERY TANK LID CT51-71	1		
5	3VTVT01072		SCREW STS KN1038 5x16 - T20 A2	17		
6	3KTRI05239		KIT COVER RECOVERY TANK	1		

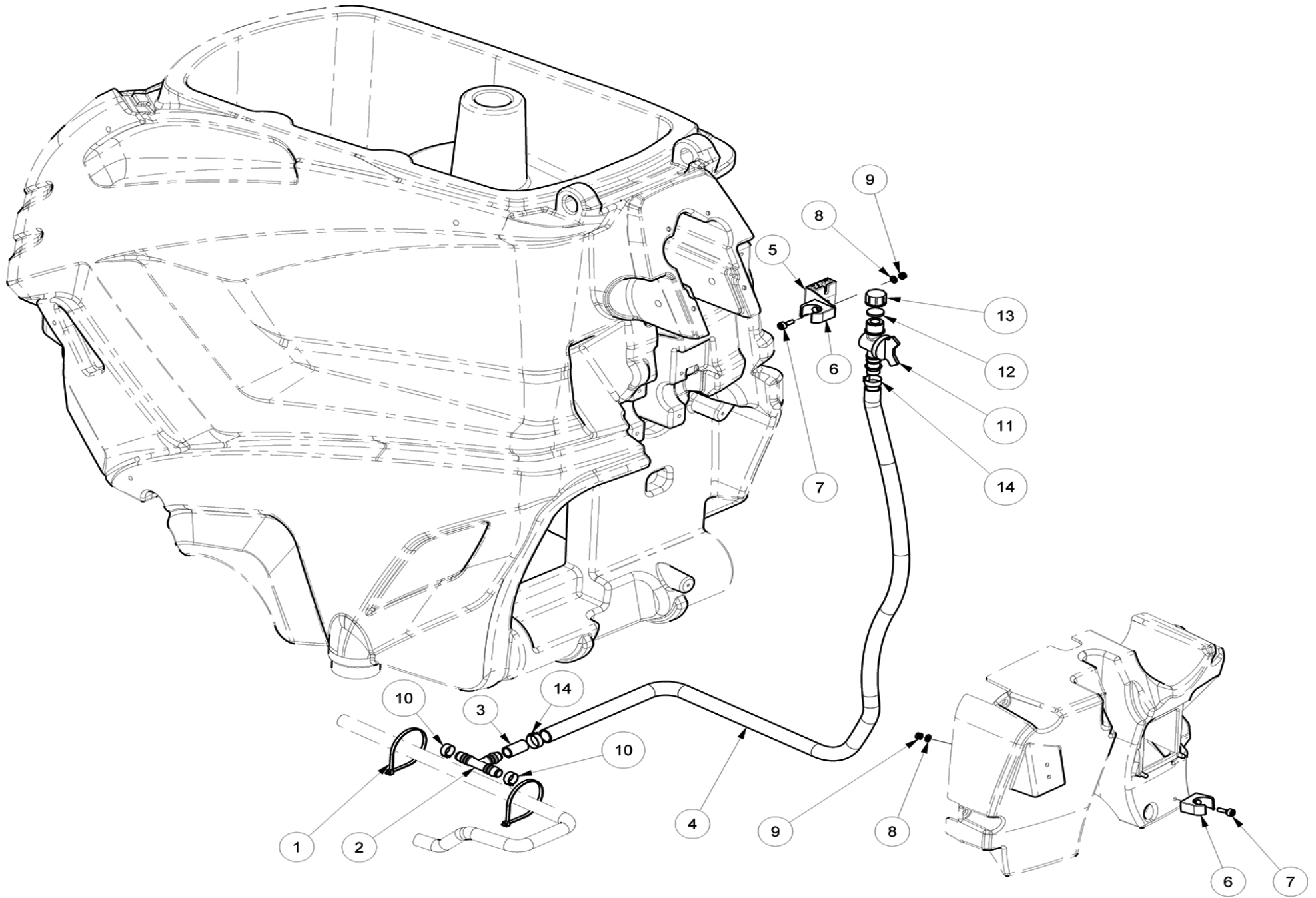
# BOARD





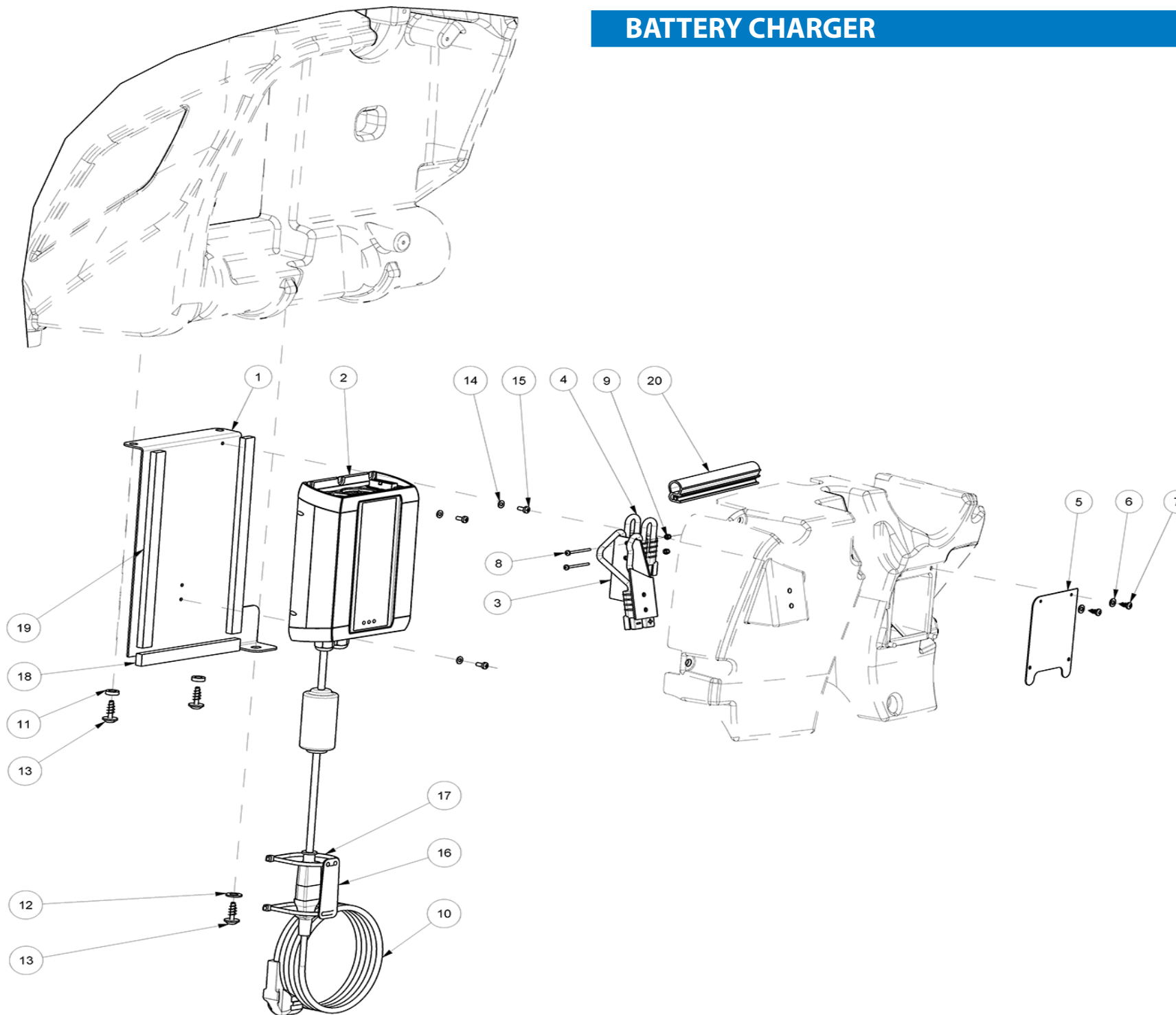
Ref.	Part N.	Alt. Part N.	Description	Quantity	Validity From	Validity To
1	3MECE00812		BOARD TRACTION L21\28	1		
2	3MPVR06501		SPACER	5		
3	3LAFN01298		SPACER PLASTIC 10X5,5X15	3		
4	3MPVR11447		COVER ELECTRONIC BOARD L21-TR	1		
5	3MPVR11448		COVER PLASTIC FUSE BOX L21	1		
6	3MEVR01153		FUSE EXTRACTOR	1		
7	3VTRS00516		WASHER D.5 SS	8		
8	3VTDD00209		NUT M5 UNI5589	8		
9	3MEVR02105		FUSE 50A	1		
10	3MEVR02104		FUSE 30A	2		
11	3MEVR00565		FUSE 5A	1		
12	3MEVR00563		FUSE 1A	1		

# WATER LEVEL KIT



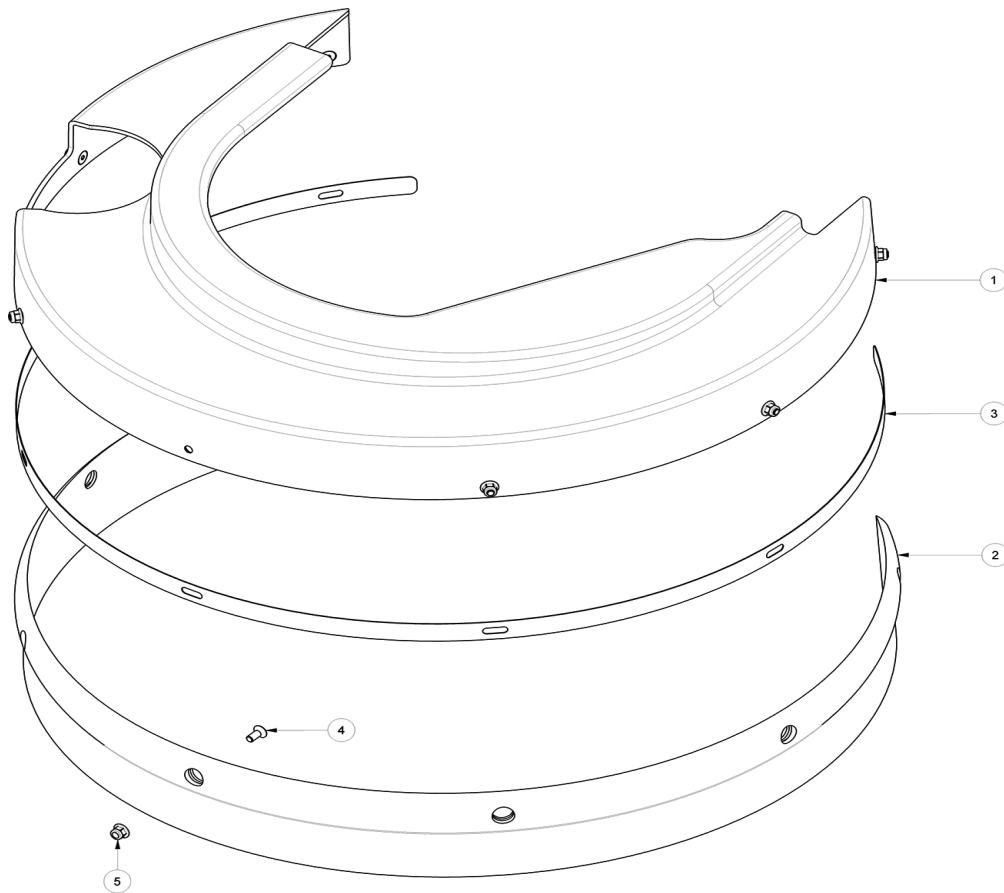
Ref.	Part N.	Alt. Part N.	Description	Quantity	Validity From	Validity To
1	3FSVR00049		CLAMP 4,5x200 BLACK	2		
2	3RCVR00483		CONNECTOR 3 WAY	1		
3	3TBFX01215		TUBE ID=12, OD=17, L =30 mm	1		
4	3TBBP00120		SOLUTION HOSE, PVC W/STEEL	1.02		
5	3LAFN11229		BRACKET LEVEL TUBE	1		
6	3MPVR05280		CLIP M25	2		
7	3VTVT17720		SCREW SHCS M5X16 SS	2		
8	3VTRS00516		WASHER D.5 SS	2		
9	3VTDD01693		NUT M5 SS	2		
10	3FSVR00261		CLAMP	2		
11	3RCVR00590		CONNECTOR 1/2	1		
12	3GUGO00268		GASKET D.21 SP.3 RUBBER	1		
13	3RCVR00353		CAP 1/2"G X SOLENOID VALVE	1		
14	3FSVR00256		CLAMP	2		

# BATTERY CHARGER

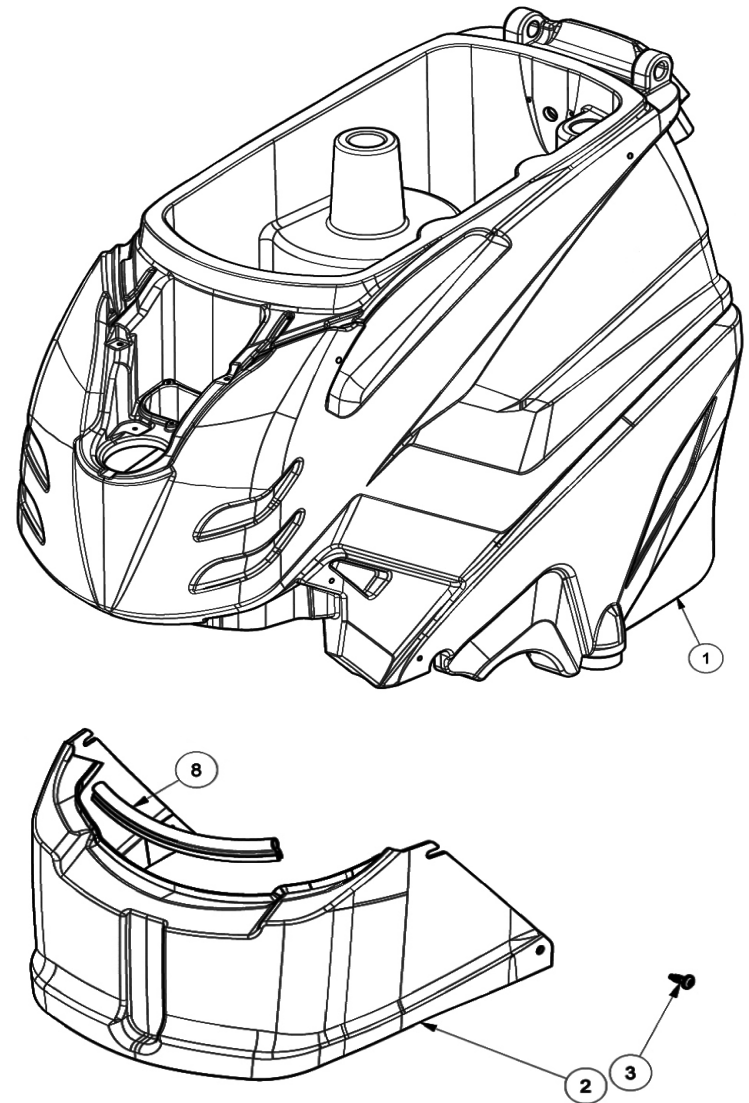


Ref.	Part N.	Alt. Part N.	Description	Quantity	Validity From	Validity To
1	3LAFN08235		PLATE	1		
2	3BACA00253		BATTERY-CHARGER CBHD1-XR-P-24-15 cULus	1		
3	3LAFN11046		BRACKET	1		
4	3MECB01964		WIRING CONNECTION CHARGER/BATT.	1		
5	3MPVR10745		PROTECTION TRANSPARENT POWER CORD	1		
6	3VTRS00516		WASHER D.5 SS	2		
7	3VTVT48694		SCREW PH STS 5X12 UNI 9707 TZ	2		
8	3VTVT00691		SCREW	2		
9	3VTDD00210		NUT M3 NYL DIN 985 IX.A2	2		
10	3MECB00923		CHARGER CORD ONBOARD	1		
11	3VTRS00383		WASHER	2		
12	3VTRS13947		WASHER D. 8 SS UNI 6592	1		
13	3VTVT01430		SCREW STS KN1038 8x22 - T40 A2	3		
14	3VTRS00515		WASHER D.4 SS	3		
15	3VTVT21887		SCREW PH STS 4X10 8112	3		
16	3MPVR11197		PLATE POWER CORD HOLDER	1		
17	3FSVR00049		CLAMP 4,5x200 BLACK	2		
18	3GUGO00589		GASKET L21	1		
19	3GUGO00590		GASKET L21	2		
20	3GUVR00010		GASKET	0.12	27/11/2018	

## SPLASH GUARD



## EXTERNAL PARTS



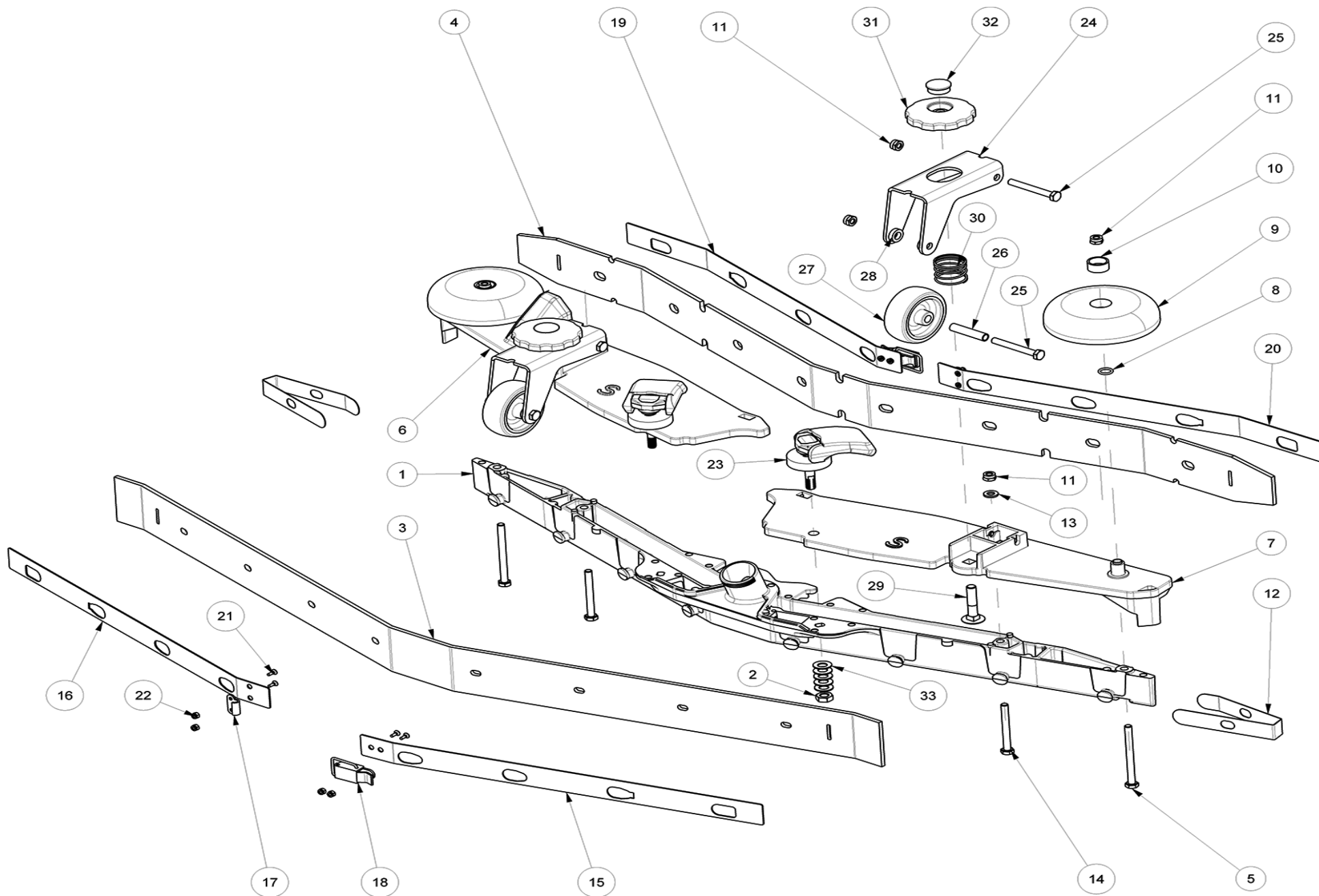
## SPLASH GUARD

Ref.	Part N.	Alt. Part N.	Description	Quantity	Validity From	Validity To
Unit	19106		SPLASH GUARD	1		
1	3MPVR11904		SUPPORT FLAP L21	1		
2	3MPVR11925		RUBBER SPLASH GUARD L21	1		
3	3LAFN11270		RETAINING BRACKET SPLASH GUARD	1		
4	3VTVT01317		SCREW M5X12 SH-CSK UNI 5933	7		
5	3VTDD00531		NUT M5 DIN6926 SS	7		

## EXTERNAL PARTS

Ref.	Part N.	Alt. Part N.	Description	Quantity	Validity From	Validity To
1	3MPVR11596		TANK L21 BLUE	1		
2	3MPVR06472		COVER BRUSH MOTOR L21\24\28 DISC	1		
3	3VTVT01430		SCREW STS KN1038 8x22 - T40 A2	4		
8	3GUVR00160		GASKET RUBBERIZED	0.24		

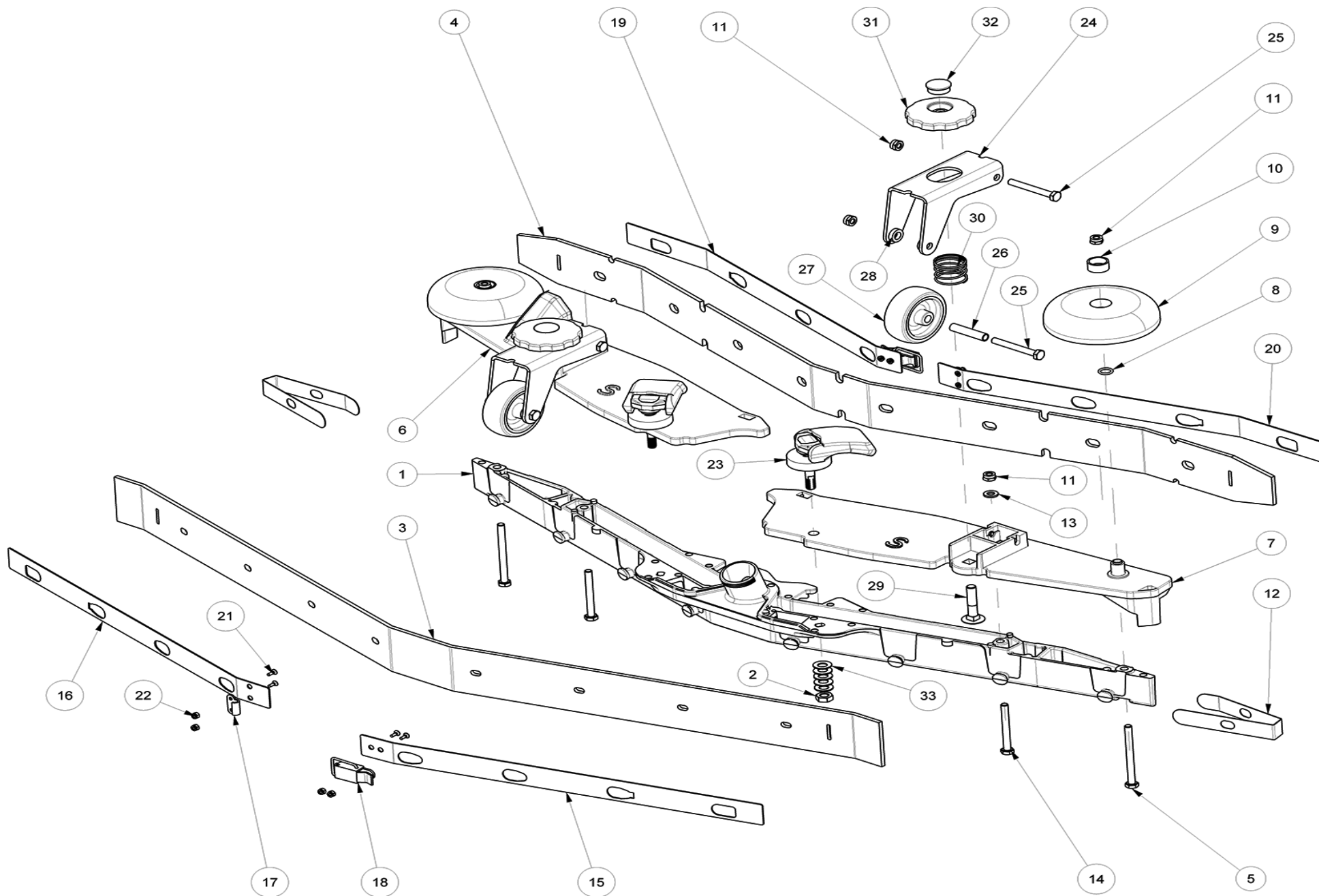
# SQUEEGEE ASSEMBLY





Ref.	Part N.	Alt. Part N.	Description	Quantity	Validity From	Validity To
1	3MFVR00319		BODY	1		
2	3VTDD00530		NUT M8 UNI 5589	2		
3	3MPVR08035		REAR BLADE LATEX S	1		
3	3MPVR45195		REAR BLADE NR S	1		
3	3MPVR05802		REAR BLADE PU S	1		
4	3MPVR08039		FRONT BLADE LATEX S	1		
4	3MPVR45194		FRONT BLADE NR S	1		
4	3MPVR05800		FRONT BLADE PU S	1		
5	3VTVT00699		SCREW HH M. 6-70	2		
6	3MPVR06491		PLATE	1		
7	3MPVR06492		PLATE	1		
8	3GUGO00164		GASKET ORING 9.25-12.81	2		
9	3MPVR05290		ROLLER SIDE BUMPER WHEEL	2		
10	3MPVR49229		BUSHING	2		
11	3VTDD01694		NUT M6 SS	8		
12	3MPVR05897		CLOSURE SML	2		
13	3VTRS00245		WASHER D.6 UNI 6592 SS	2		
14	3VTVT00655		SCREW HH M. 6-55	2		
15	3LAFN09281		BLADE HOLDER REAR RIGHT S	1		
16	3LAFN09283		BLADE HOLDER REAR LEFT S	1		
17	3LAFN09301		RETAINER HOOK	2		
18	3LAFN09302		RETAINER CLOSURE	2		
19	3LAFN09280		BLADE HOLDER FRONT LEFT S	1		
20	3LAFN09279		BLADE HOLDER FRONT RIGHT S	1		
21	3VTVT01070		SCREW SH-CSK M3X8	8		
22	3VTDD00210		NUT M3 NYL DIN 985 IX.A2	8		
23	3PMVR06995		HOOK SQUEEGEE L21\28	2		
24	3LAFN09471		SUPPORT CASTOR WHEEL NEW	2		
25	3VTVT15515		SCREW HH M6X50 SS A2	4		

# SQUEEGEE ASSEMBLY



Ref.	Part N.	Alt. Part N.	Description	Quantity	Validity From	Validity To
26	3LAFN07534		SPACER	2		
27	3RTRT00398		WHEEL GREY D.60 HOLE 8	2		
28	3VTRS00383		WASHER	4		
29	3VTVT01304		SCREW M8X 40 CARR UNI 5731	2		
30	3MLML00473		SPRING	2		
31	3MPVR06478		SMALL KNOB WHEEL ADJUSTMENT	2		
32	3MPVR06479		CAP	2		
33	3MLML00493		DISC SPRINGS 16x8,2x0,9 DIN 2093	10	14/12/2017	

## KITS

Ref.	Part N.	Description	Quantity	Validity From	Validity To
17-22	3KTRI02195	BLADE LATCH KIT FOR S FRONT SQUE.			
15-18, 21-22	3KTRI02196	BLADE LATCH KIT FOR S REAR SQUE.			





## Dustbane Customer Support

### Mailing Address

25 Pickering Place  
Ottawa, ON K1G 5P4  
Canada

### Phone

1-800-387-8226

### Email

General Inquiries: [info@dustbane.ca](mailto:info@dustbane.ca)  
Technical Inquiries: [techsupport@dustbane.ca](mailto:techsupport@dustbane.ca)

### Website

[www.dustbane.ca](http://www.dustbane.ca)

## Support à la clientèle Dustbane

### Adresse postale

25 place Pickering  
Ottawa, ON K1G 5P4  
Canada

### Téléphone

1-800-387-8226

### Courriel

Demandes générales : [info@dustbane.ca](mailto:info@dustbane.ca)  
Demandes techniques : [techsupport@dustbane.ca](mailto:techsupport@dustbane.ca)

### Site web

[www.dustbane.ca](http://www.dustbane.ca)



GIVE meaning  
TO YOUR cleaning™

Un impact  
PLUS GRAND EN  
nettoyant<sup>MC</sup>