

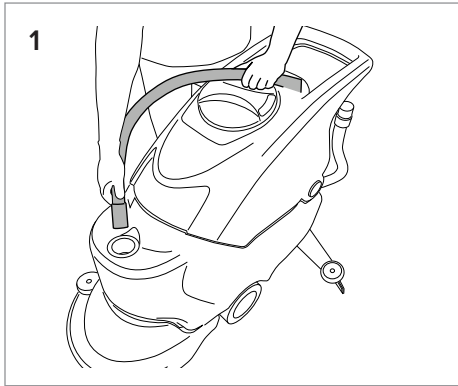


# Hurricane 400 XTT - Traction

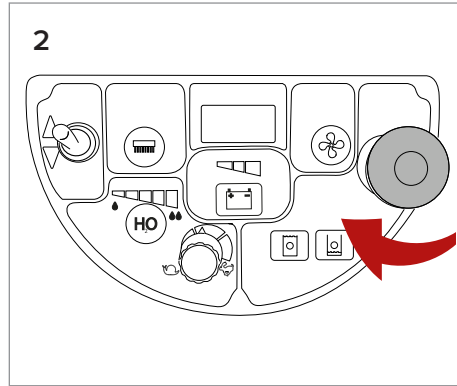
## Quick Guide

This guide is intended for quick consultation only and does not replace the user and maintenance manual. Before using this machine, read the user maintenance manual contained in the machine's packaging and follow all the instructions.

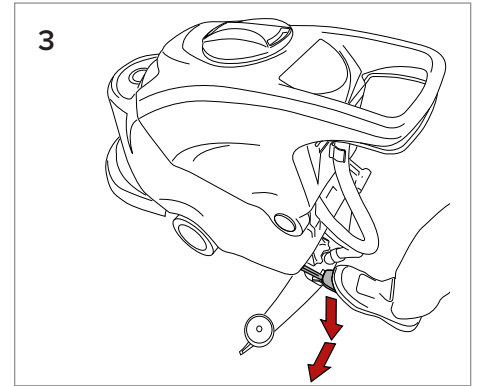
### PREPARATION AND OPERATION



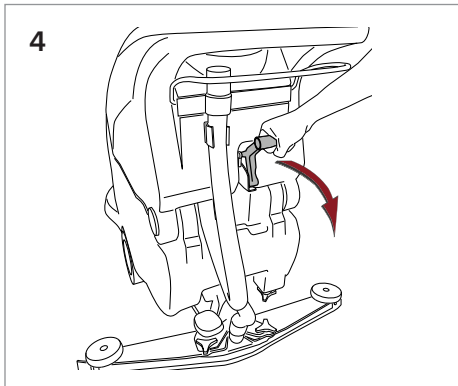
1 Add water and chemical to tank.



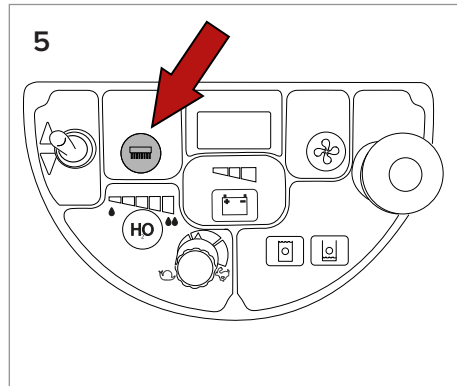
2 Power on.



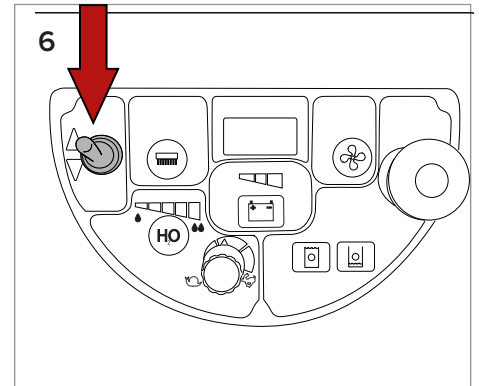
3 Press lever pedal to move the brush up and down.



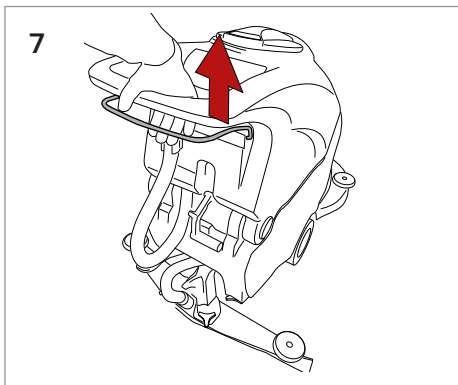
4 Pull squeegee lever to lower.



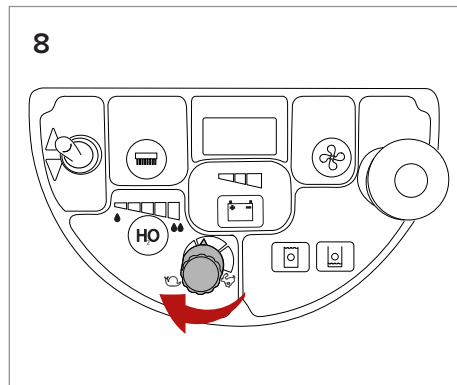
5 Press to turn scrubber ON/OFF.



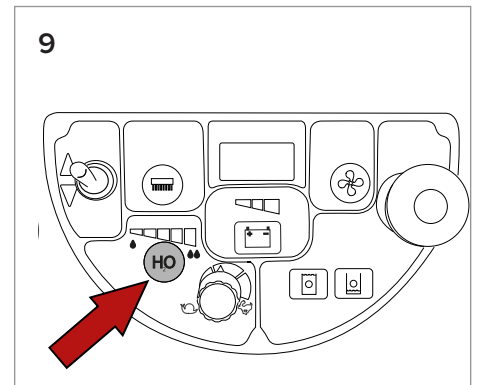
6 Use to change direction of scrubber.



7 Pull lever to activate.

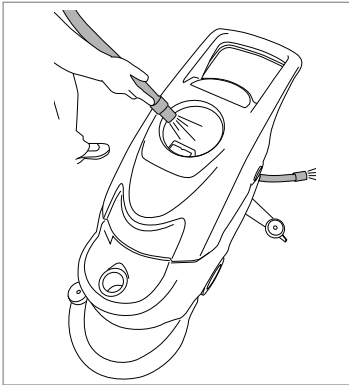


8 Turn dial to change speed.

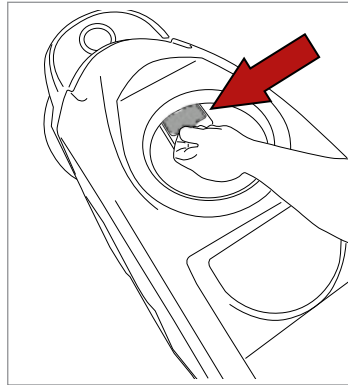


9 Press once to adjust water level.

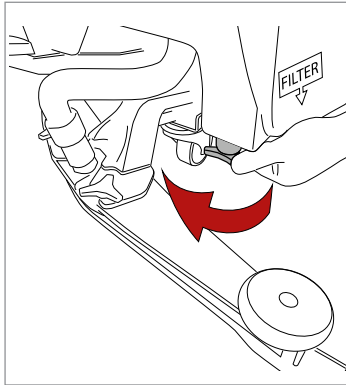
## DAILY MAINTENANCE



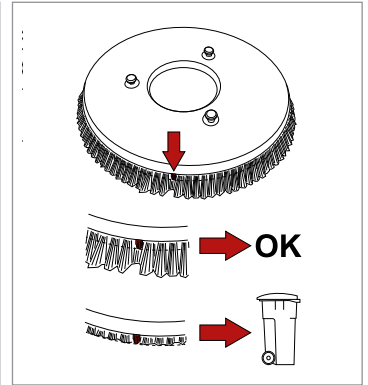
Clean the dirty water tank.



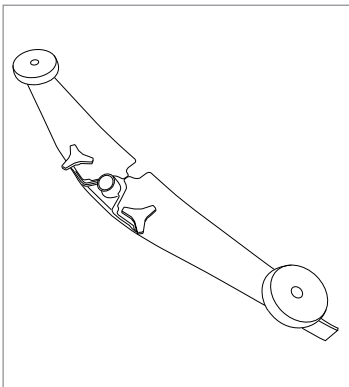
Make sure the suction filter and debris filter is clean and undamaged.



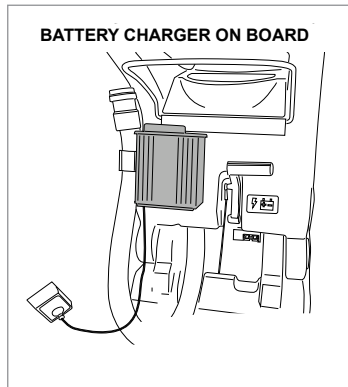
Make sure detergent outlet filter is clean and free of debris.



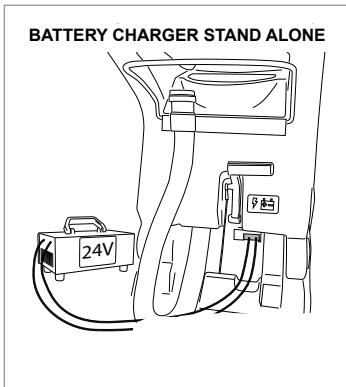
Make sure the brushes/drive pad are clean and not worn out. Replace if necessary.



Make sure the squeegee is clean and the blades are not worn.



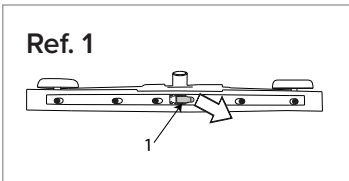
Plug in On Board charger to charge batteries if equipped.



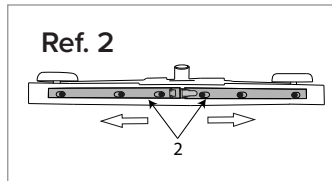
Plug in Stand Alone charger into red charge port to charge batteries if not equipped with On Board charger.

**NOTE:** Never stop charge until cycle is complete (Green light).

## REPLACING THE SQUEEGEE BLADES



Open the clip (Ref. 1).



Remove the two blade retainers (Ref. 2) by pushing them outwards then extracting them.

Remove the blade.

Reuse the same blade by reversing the edge in contact with the floor until all four edges are worn out, or replace with a new blade, fitting it onto the screws on the body of the squeegee.

Reposition the two blade pressing devices by centering the wider part of the slots on the squeegee body fastening pins, then push the blade pressing devices inwards.

Close the hook again.

Replace the squeegee on its support, following the instructions previously described.

## ATTACHING/REMOVING THE PAD DRIVER

Position the pad driver underneath the head, in the centre (single-brush floor scrubber), position the pad driver underneath the head on both sides (double brush scrubber), switch the machine on.

Press the CLICK ON-OFF switch, once after starting the machine releases the pad driver, pressing a button a second time activates automatic pad driver attachment. The button is only enabled when all the functions are deactivated (suction motor and pad driver).